

REFERENCE STANDARD IEC60169-11

I. ELECTRIC PERFORMANCE:

IMPEDANCE(Ω) : 50
 FREQUENCY RANGE : 0-3 GHz
 VSWR : ≤1.15
 PIM(dBc) : ≤-160 (2X43dBm)
 INSERT LOSS (dB) : ≤ 0.05
 INSULATION RESISTANCE (MΩ) : >5000
 WORK VOLTAGE (V) : 1500
 CONDUCTOR RESISTANCE (mΩ) : OUTER CONDUCTOR<0.5
 INNER CONDUCTOR<1

II. MECHANICAL PERFORMANCE:

RETENTION : >4 N
 MATING CYCLES : 500
 TENSILE FORCE (CABLE CONNECTOR): 150N
 TORSION (CABLE CONNECTOR) : 0.3N.m

III. MATERIAL AND PLATING:

INNER CONDUCTOR : SPRING COPPER, PLATING, Ag5μm
 OUTER CONDUCTOR : BRASS, PLATING, COPPER-TIN-ZINC2μm
 INSULATOR : PTFE

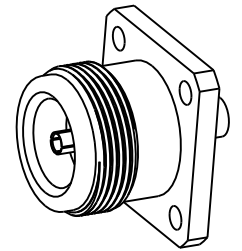
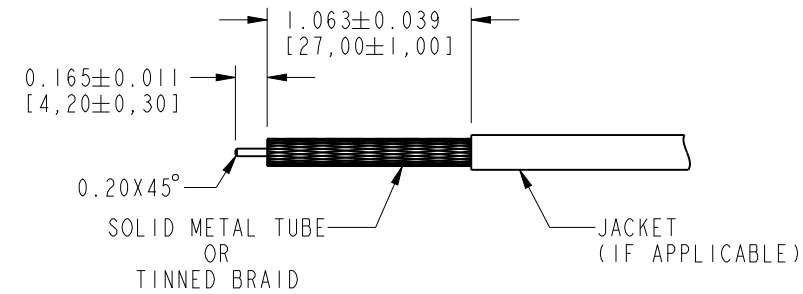
IV. ENVIRONMENT:

TEMP. RANGE : -40°C TO +85°C
 WEATHER STANDARD : IEC 60068 40/085/21
 THERMAL SHOCK : US MIL-STD 202, Meth. 107, Cond. B
 VIBRATION : US MIL-STD 202, Meth. 204, Cond. B
 SHOCK : US MIL-STD 202, Meth. 213, Cond. I
 WATER PROOFING STANDARD : IP 67

V. USE ASSEMBLY INSTRUCTION: 349-50879

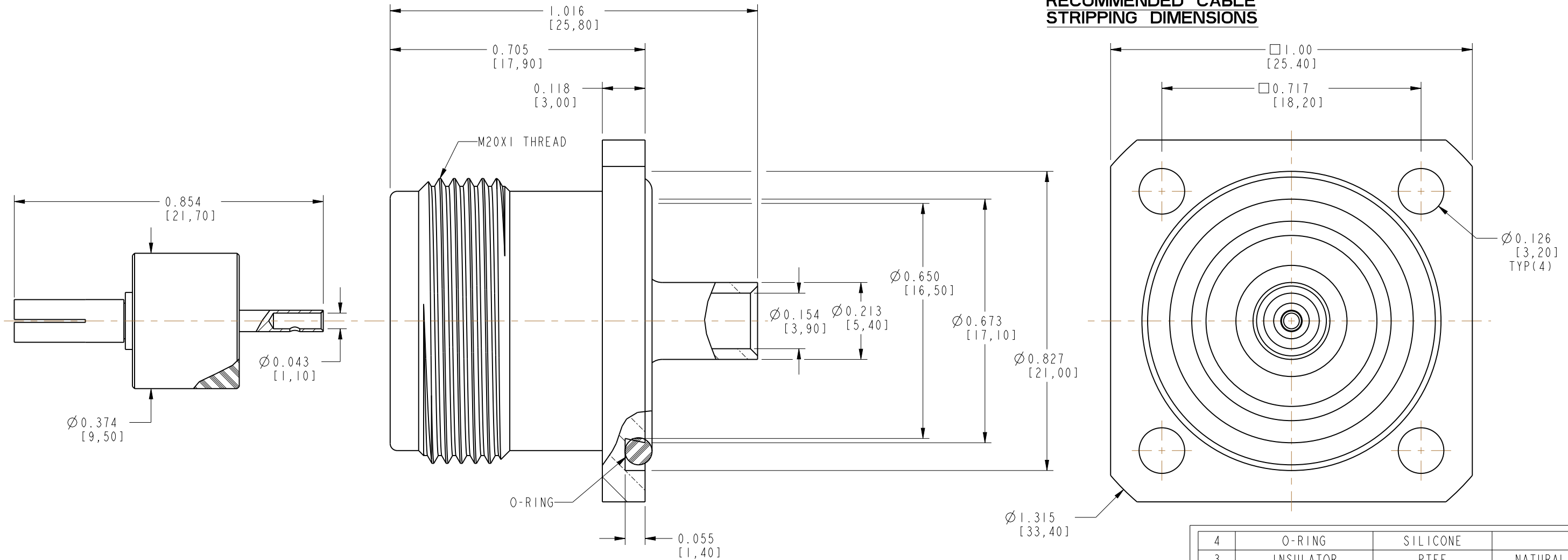
VI. ROHS COMPLIANT

332100		REVISIONS			
DRAWING NO.	REV	DESCRIPTION	DATE	ECO	APPR
THIRD ANGLE PROJ.	A	RELEASE TO MFG.	13-Aug-13	--	CL
	B	INSULATOR AND CONTACT SUB ASSEMBLY AS SHOWN AS SEPARATE VIEW	24-Apr-14	2725	RAK/BG



SCALE 1.000

RECOMMENDED CABLE STRIPPING DIMENSIONS



4	O-RING	SILICONE		1
3	INSULATOR	PTFE	NATURAL	1
2	INNER CONDUCTOR	SPRING COPPER	SILVER	1
1	OUTER CONDUCTOR	BRASS	WHITE BRONZE	1
S.NO	DESCRIPTION	MATERIAL	FINISH	QTY

CUSTOMER OUTLINE DRAWING

ALL OTHER SHEETS ARE FOR INTERNAL USE ONLY

UNLESS OTHERWISE SPECIFIED, DIMENSIONS ARE IN INCHES AND TOLERANCES ARE: 2 PLACE DECIMAL ±.015 (0,381 mm) 3 PLACE DECIMAL ±.005 (0,127 mm) ANGLES ± 1°	MATERIAL SEE NOTES	DRAWN CLEMENT	DATE 13-Aug-13	TITLE 4.1/9.5 4-HOLE FLANGE SOLDER JACK FOR RG 402 CABLE	Amphenol Connex
	REFERENCE	ENGINEER CLEMENT	DATE 13-Aug-13		
NOTICE - These drawings, specifications, or other data (1) are, and remain the property of Amphenol Corp. (2) must be returned upon request; and (3) are confidential and not to be disclosed to any person other than those to whom they are given by Amphenol Corp. The furnishing of these drawings, specifications, or other data by Amphenol Corp., or to any other person to anyone for any purpose is not to be regarded by implication or otherwise in any manner licensing, granting rights or permitting such holder or any other person to manufacture, use or sell any product, process or design, patented or otherwise, that may in any way be related to or disclosed by said drawings, specifications, or other data.		APPROVED B.C. GLEISSNER	DATE 13-Aug-13		
		CAD FILE			DWG SIZE B
					SCALE: 3.5:1 SHEET 1 OF 1
					REV B

X-ON Electronics

Largest Supplier of Electrical and Electronic Components

Click to view similar products for [RF Connectors / Coaxial Connectors](#) category:

Click to view products by [Amphenol](#) manufacturer:

Other Similar products are found below :

[8915-1511-000](#) [89674-0827](#) [6001-7071-019](#) [6002-7051-003](#) [6002-7551-202](#) [6059674-1](#) [619550-1](#) [630059-000](#) [M39030/3-01N](#) [M3933/25-36N](#) [6500-7071-046](#) [6769](#) [CX050L2AQ](#) [7002-1542-011](#) [7004-1512-000](#) [7009-1511-004](#) [7010-1511-000](#) [7029-1511-060](#) [7101-1541-010](#) [7101-1571-002](#) [7105-1521-002](#) [7145-1521-002](#) [7203-1571-003](#) [7209-1511-011](#) [7210-1511-015](#) [7210-1511-019](#) [73137-5015](#) [73216-2241](#) [7325-1512-000](#) [73404-2300](#) [7405-1521-005](#) [7405-1521-802](#) [7406-1521-005](#) [8527](#) [8547](#) [FS11V](#) [8808-1511-001](#) [9049-9513-000](#) [9074-9513-000](#) [9101-9573-002](#) [910A205F](#) [9130-9573-002](#) [PL11SC-026](#) [PL375-33](#) [PL40-5](#) [PL71-9](#) [PL74C-221](#) [PL75MC-217](#) [PL803-7](#) [980-8666-005](#)