

NOTE:

REFERENCE STANDARD IEC60169-11

I. ELECTRICAL PERFORMANCE -

NOMINAL IMPEDANCE : 50 ± 2 Ω
 FREQUENCY RANGE : DC-3.0 GHz
 VSWR : 1.08 MAX.
 INSERTION LOSS : 0.05 dB MAX. (@ 3.0 GHz)
 PIM : -165 dBc MAX. (2x43dBm)
 INSULATION RESISTANCE : 5000 MΩ MIN.
 D.W.V : 2500 VRMS
 CONDUCTOR RESISTANCE : OUTER CONDUCTOR 0.5 mΩ MAX.
 INNER CONDUCTOR 1.0 mΩ MAX.

II. MECHANICAL PERFORMANCE

RETENTION : 4 N MIN.
 INNER CONDUCTOR TORQUE : 0.2 N-m
 MATING CYCLES : 500 MIN.

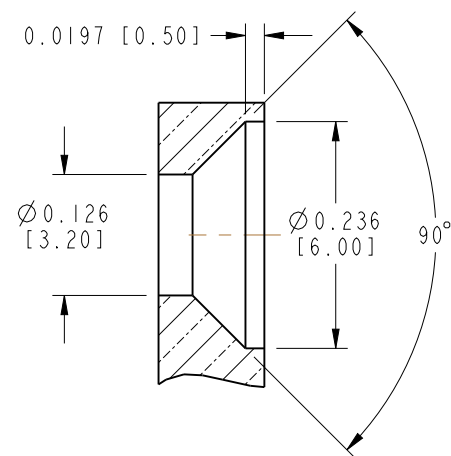
III. MATERIAL AND PLATING -

INNER CONDUCTOR : SPRING COPPER ALLOY, PLATING = Ag (5µm MIN.)
 OUTER CONDUCTOR : BRASS, PLATING = COPPER-TIN-ZINC (2µm MIN.)
 INSULATOR : PTFE

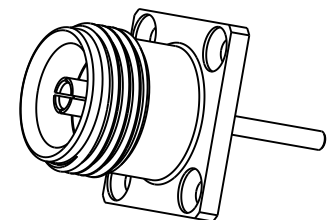
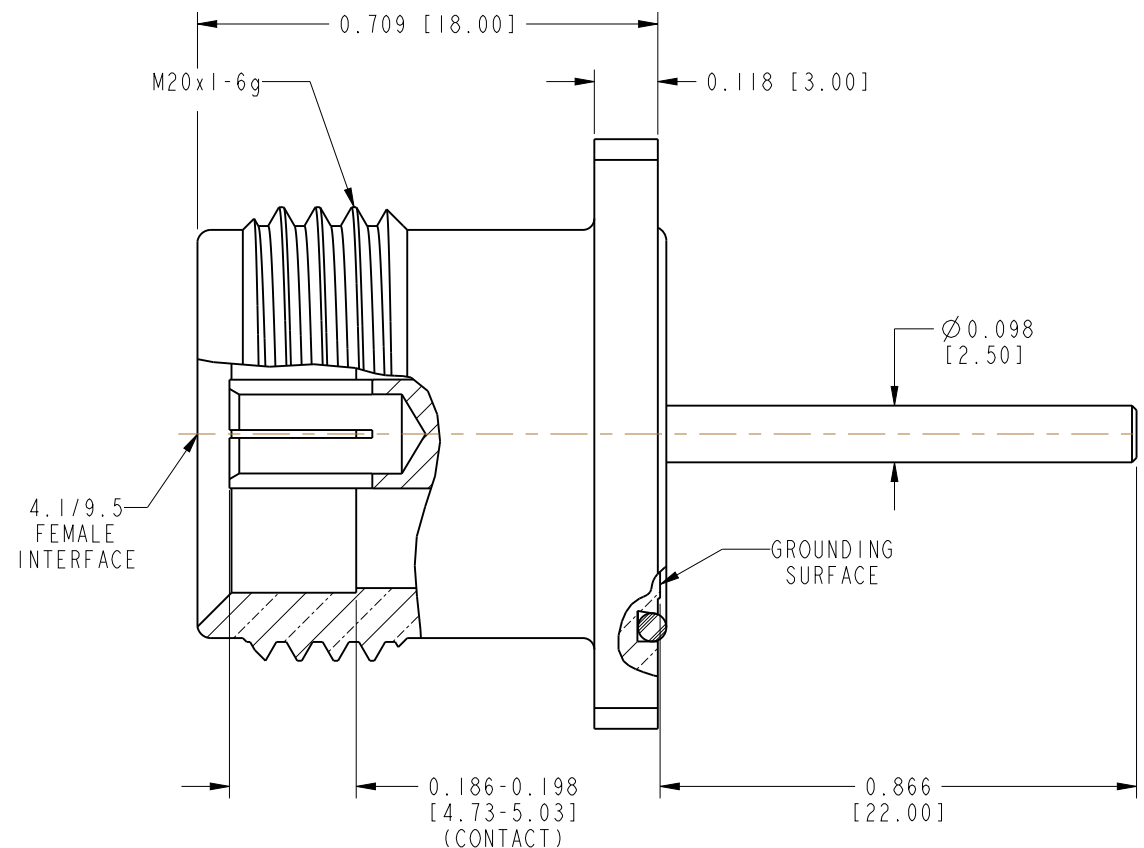
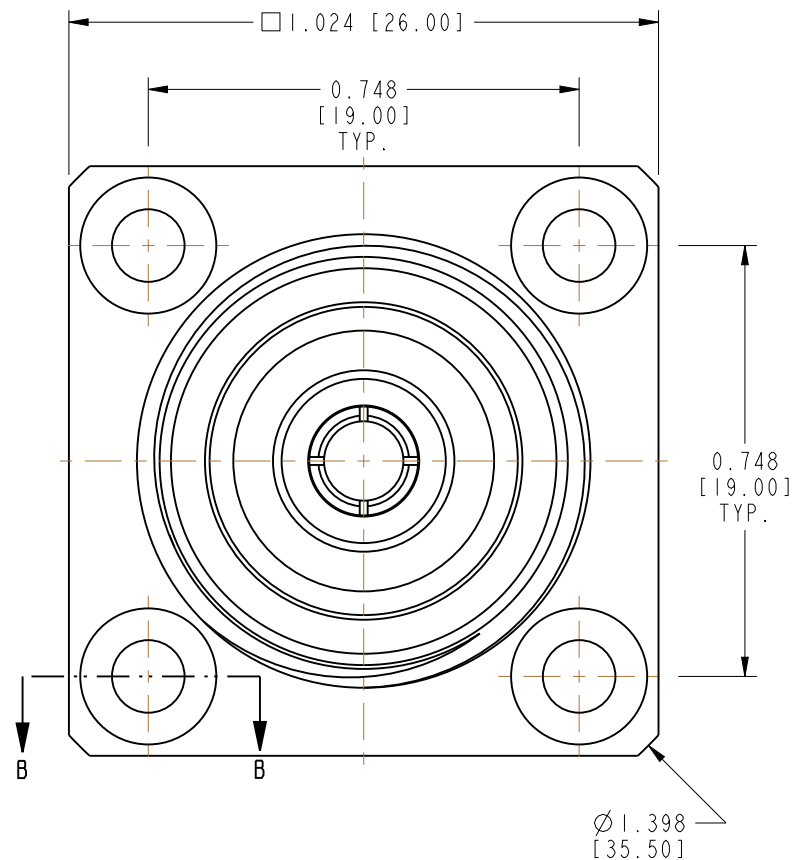
IV. ENVIRONMENTAL -

TEMP. RANGE : -40°C TO +85°C
 WEATHER STANDARD : IEC 60068 40/ 85/ 21
 THERMAL SHOCK : MIL-STD 202, METHOD 107, CONDITION B
 VIBRATION : MIL-STD 202, METHOD 204, CONDITION B
 SHOCK : MIL-STD 202, METHOD 213, CONDITION I
 WATERPROOFING STANDARD : IP 67

V. ROHS COMPLIANT



SECTION B-B
SCALE 5.000



SCALE 1.000

332101		REVISIONS			
DRAWING NO.	REV	DESCRIPTION	DATE	ECO	APPR
THIRD ANGLE PROJ.	A	RELEASE TO MFG.	03-Oct-13	--	AAP/BG

CUSTOMER OUTLINE DRAWING

ALL OTHER SHEETS ARE FOR INTERNAL USE ONLY

UNLESS OTHERWISE SPECIFIED, DIMENSIONS ARE IN INCHES AND TOLERANCES ARE: 2 PLACE DECIMAL ±.015 (0,381 mm) 3 PLACE DECIMAL ±.005 (0,127 mm) ANGLES ± 1°	MATERIAL	DRAWN	DATE	TITLE	Amphenol Connex
	SEE NOTES	A ARUN PRABU	12-Sep-13	4.1/9.5 FEMALE PANEL	
NOTICE - These drawings, specifications, or other data (1) are, and remain the property of Amphenol Corp. (2) must be returned upon request; and (3) are confidential and not to be disclosed to any person other than those to whom they are given by Amphenol Corp. The furnishing of these drawings, specifications, or other data by Amphenol Corp., or to any other person to anyone for any purpose is not to be regarded by implication or otherwise in any manner licensing, granting rights or permitting such holder or any other person to manufacture, use or sell any product, process or design, patented or otherwise, that may in any way be related to or disclosed by said drawings, specifications, or other data.	REFERENCE	ENGINEER	DATE	SCALE: 3.0:1 SHEET 1 OF 1	
		A ARUN PRABU	12-Sep-13		
		APPROVED	DATE		
	B.C. GLEISSNER	03-Oct-13			
	CAD FILE	DWG SIZE	DRAWING NO.	REV	
		B	332101	A	

X-ON Electronics

Largest Supplier of Electrical and Electronic Components

Click to view similar products for [RF Connectors / Coaxial Connectors](#) category:

Click to view products by [Amphenol](#) manufacturer:

Other Similar products are found below :

[8915-1511-000](#) [89674-0827](#) [6001-7071-019](#) [6002-7051-003](#) [6002-7551-202](#) [6059674-1](#) [619550-1](#) [630059-000](#) [M39030/3-01N](#) [M3933/25-36N](#) [6500-7071-046](#) [6769](#) [CX050L2AQ](#) [7002-1542-011](#) [7004-1512-000](#) [7009-1511-004](#) [7010-1511-000](#) [7029-1511-060](#) [7101-1541-010](#) [7101-1571-002](#) [7105-1521-002](#) [7145-1521-002](#) [7203-1571-003](#) [7209-1511-011](#) [7210-1511-015](#) [7210-1511-019](#) [73137-5015](#) [73216-2241](#) [7325-1512-000](#) [73404-2300](#) [7405-1521-005](#) [7405-1521-802](#) [7406-1521-005](#) [8527](#) [8547](#) [FS11V](#) [8808-1511-001](#) [9049-9513-000](#) [9074-9513-000](#) [9101-9573-002](#) [910A205F](#) [9130-9573-002](#) [PL11SC-026](#) [PL375-33](#) [PL40-5](#) [PL71-9](#) [PL74C-221](#) [PL75MC-217](#) [PL803-7](#) [980-8666-005](#)