

NOTE:

REFERENCE STANDARD IEC60169-11

I. ELECTRICAL PERFORMANCE -

NOMINAL IMPEDANCE :  $50 \pm 2 \Omega$   
 FREQUENCY RANGE : DC-3.0 GHz  
 VSWR : 1.15 MAX.  
 INSERTION LOSS : 0.050 dB MAX. (@ 3.0 GHz)  
 PIM : -160 dBc MAX. (2x43dBm)  
 INSULATION RESISTANCE : 5000 M $\Omega$  MIN.  
 D.W.V : 2000 VRMS  
 CONDUCTOR RESISTANCE : OUTER CONDUCTOR 0.5 m $\Omega$  MAX.  
 INNER CONDUCTOR 1.0 m $\Omega$  MAX.

II. MECHANICAL PERFORMANCE

RETENTION : 4 N MIN.  
 MATING CYCLES : 500 MIN.  
 TENSILE FORCE (CABLE-CONNECTOR) : 150 N  
 TORSION (CABLE-CONNECTOR) : 0.30 N-m

III. MATERIAL AND PLATING -

INNER CONDUCTOR : SPRING COPPER ALLOY, PLATING = Ag (5 $\mu$ m MIN.)  
 OUTER CONDUCTOR : BRASS, PLATING = COPPER-TIN-ZINC (2 $\mu$ m MIN.)  
 INSULATOR : PTFE

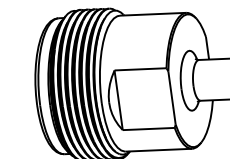
IV. ENVIRONMENTAL -

TEMP. RANGE : -40°C TO +85°C  
 WEATHER STANDARD : IEC 60068 40/ 85/ 21  
 THERMAL SHOCK : IEC 60068-2-14-NA  
 VIBRATION : IEC 60068-2-6-FC  
 SHOCK : IEC 60068-2-27  
 WATERPROOFING STANDARD : IP 67

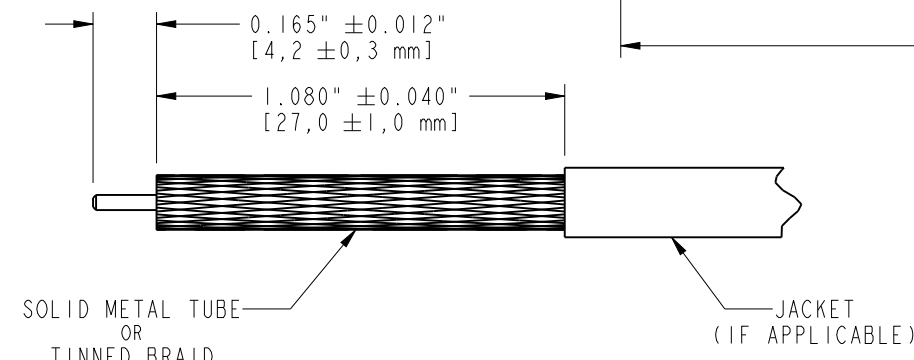
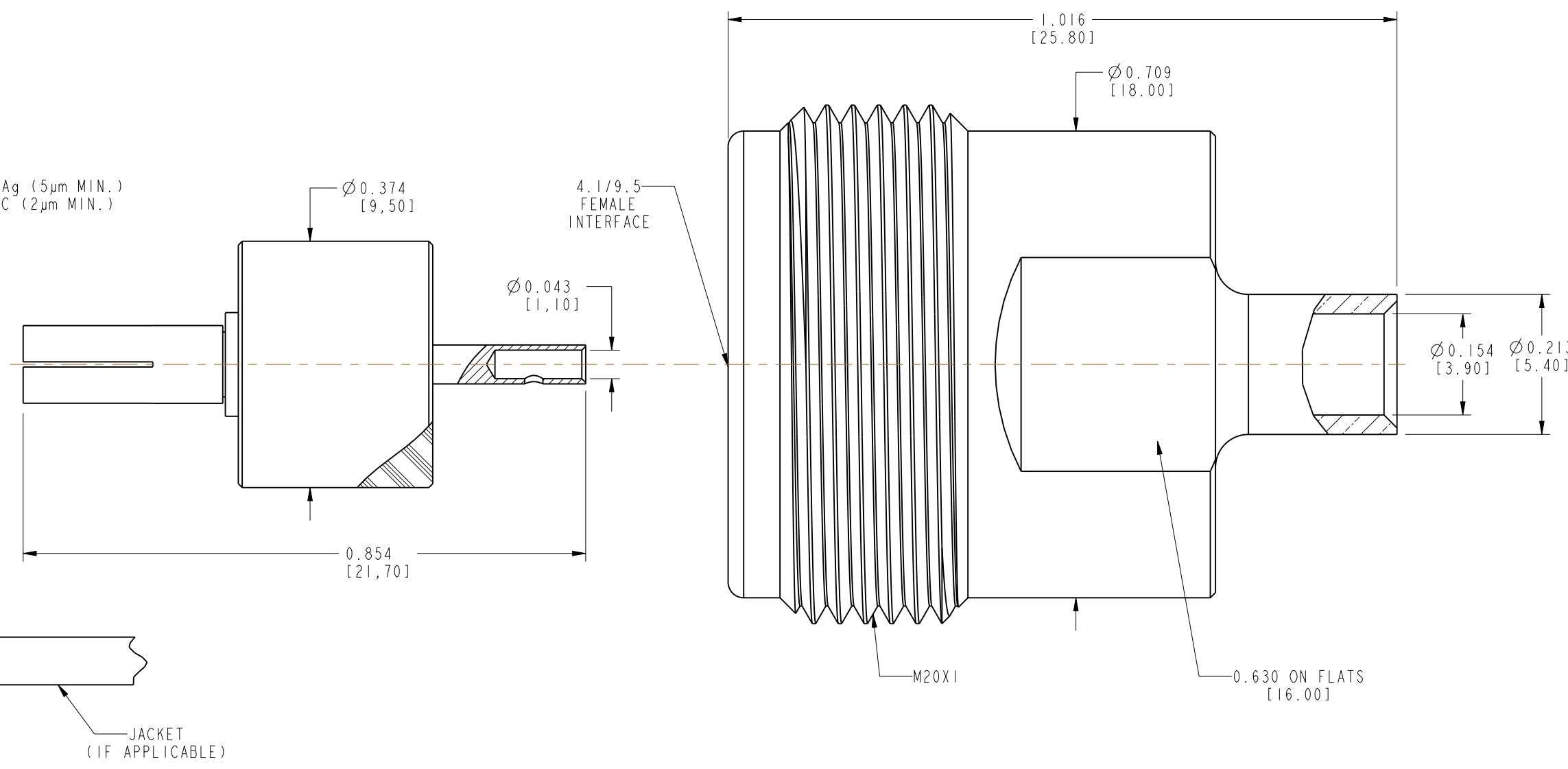
V. USE ASSEMBLY INSTRUCTION: 349-50882

VI. ROHS COMPLIANT

332106		REVISIONS			
DRAWING NO.	REV	DESCRIPTION	DATE	ECO	APPR
THIRD ANGLE PROJ.	A	RELEASE TO MFG.	14-Jan-14	--	AAP/BG
	B	INSULATOR AND CONTACT SUB ASSEMBLY SHOWN AS SEPARATE VIEW	24-Apr-14	2725	RAK/BG



SCALE 1.000



**RECOMMENDED CABLE STRIPPING DIMENSIONS**

**CUSTOMER OUTLINE DRAWING**

ALL OTHER SHEETS ARE FOR INTERNAL USE ONLY

UNLESS OTHERWISE SPECIFIED, DIMENSIONS ARE IN INCHES AND TOLERANCES ARE: 2 PLACE DECIMAL ±.015 (0,381 mm) 3 PLACE DECIMAL ±.005 (0,127 mm) ANGLES ± 1°	MATERIAL	DRAWN	DATE	TITLE 4.1/9.5 FEMALE FOR RG-402 TYPE CABLE	Amphenol Connex
	SEE NOTES	A ARUN PRABU	12-Sep-13		
NOTICE - These drawings, specifications, or other data (1) are, and remain the property of Amphenol Corp. (2) must be returned upon request; and (3) are confidential and not to be disclosed to any person other than those to whom they are given by Amphenol Corp. The furnishing of these drawings, specifications, or other data by Amphenol Corp., or to any other person to anyone for any purpose is not to be regarded by implication or otherwise in any manner licensing, granting rights or permitting such holder or any other person to manufacture, use or sell any product, process or design, patented or otherwise, that may in any way be related to or disclosed by said drawings, specifications, or other data.	REFERENCE	ENGINEER	DATE	SCALE: 5.0:1	SHEET 1 OF 1
		A ARUN PRABU	12-Sep-13		
			APPROVED	DATE	DWG SIZE
		B.C. GLEISSNER	14-Jan-14	B	332106
		CAD FILE			REV B

## X-ON Electronics

Largest Supplier of Electrical and Electronic Components

*Click to view similar products for [RF Connectors / Coaxial Connectors](#) category:*

*Click to view products by [Amphenol](#) manufacturer:*

Other Similar products are found below :

[8915-1511-000](#) [89674-0827](#) [6001-7071-019](#) [6002-7051-003](#) [6002-7551-202](#) [6059674-1](#) [619550-1](#) [630059-000](#) [M39030/3-01N](#) [M3933/25-36N](#) [6500-7071-046](#) [6769](#) [CX050L2AQ](#) [7002-1542-011](#) [7004-1512-000](#) [7009-1511-004](#) [7010-1511-000](#) [7029-1511-060](#) [7101-1541-010](#) [7101-1571-002](#) [7105-1521-002](#) [7145-1521-002](#) [7203-1571-003](#) [7209-1511-011](#) [7210-1511-015](#) [7210-1511-019](#) [73137-5015](#) [73216-2241](#) [7325-1512-000](#) [73404-2300](#) [7405-1521-005](#) [7405-1521-802](#) [7406-1521-005](#) [8527](#) [8547](#) [FS11V](#) [8808-1511-001](#) [9049-9513-000](#) [9074-9513-000](#) [9101-9573-002](#) [910A205F](#) [9130-9573-002](#) [PL11SC-026](#) [PL375-33](#) [PL40-5](#) [PL71-9](#) [PL74C-221](#) [PL75MC-217](#) [PL803-7](#) [980-8666-005](#)