

NOTES:

1. MATERIALS AND FINISHES:
 BODY - BRASS, GOLD PLATING
 CONTACT - BeCu, GOLD PLATING
 INSULATOR - PTFE, NATURAL
 NUT - BRASS, NICKEL PLATING

2. ELECTRICAL:
 A. IMPEDANCE: 75 OHMS
 B. FREQUENCY RANGE: DC - 18 GHz
 C. RETURN LOSS : 20 dB MIN @ DC - 6 GHz
 15 dB MIN @ 6 - 12 GHz
 D. DIELECTRIC WITHSTANDING VOLTAGE: 1000 VRMS, MIN.
 E. INSULATION RESISTANCE: 10,000 MEGAOHMS MIN

3. MECHANICAL:
 A. DURABILITY: 500 CYCLES MIN.
 B. TEMPERATURE RANGE: -65° C TO +165° C

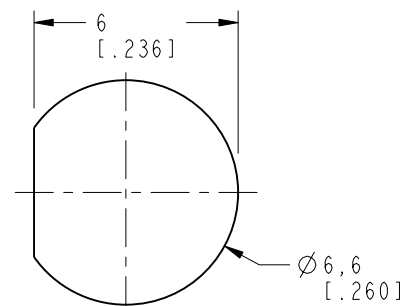
4. AMPHENOL SPANNER WRENCH 227-1490 REQUIRED TO MOUNT CONNECTOR TO PANEL.

5. PACKAGING:
 A. QUANTITY: SINGLE PACK
 B. MARKING: BAG TO BE MARKED "AMPHENOL RF, 34-1018-12G & DATE CODE"

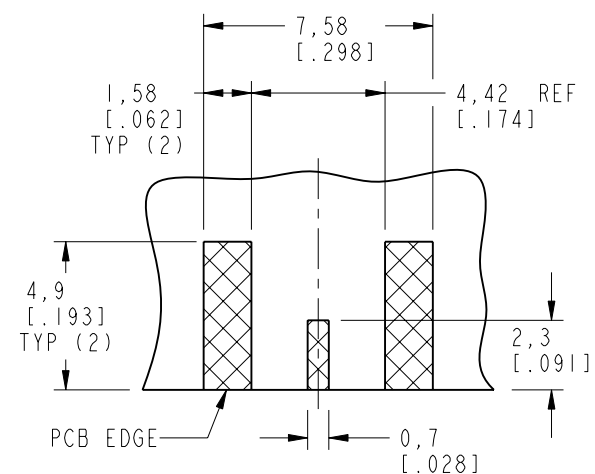
THIRD ANGLE PROJ.

REVISIONS

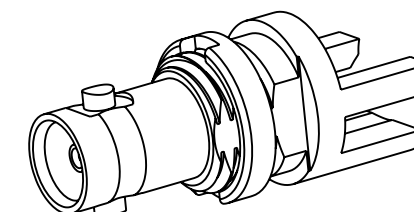
REV	DESCRIPTION	DATE	ECO	APPR
A	RELEASE TO MFG	03-Mar-16	51040	MJD



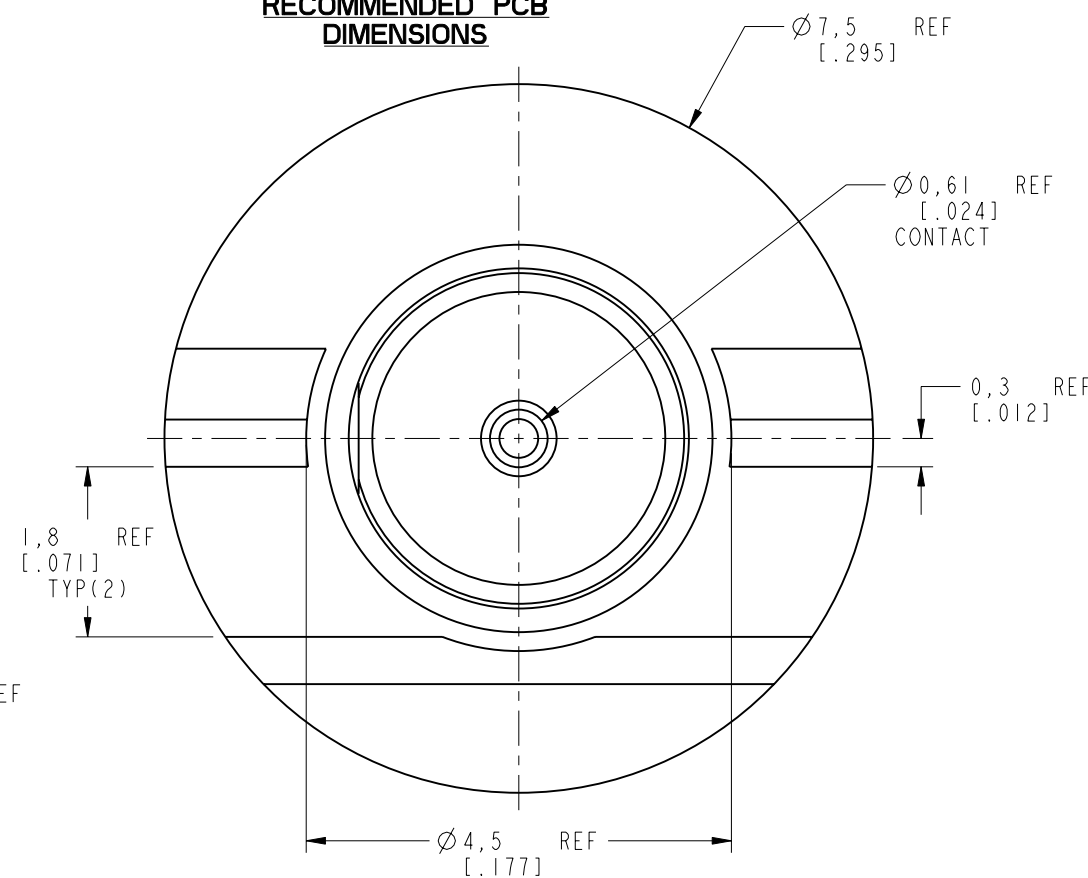
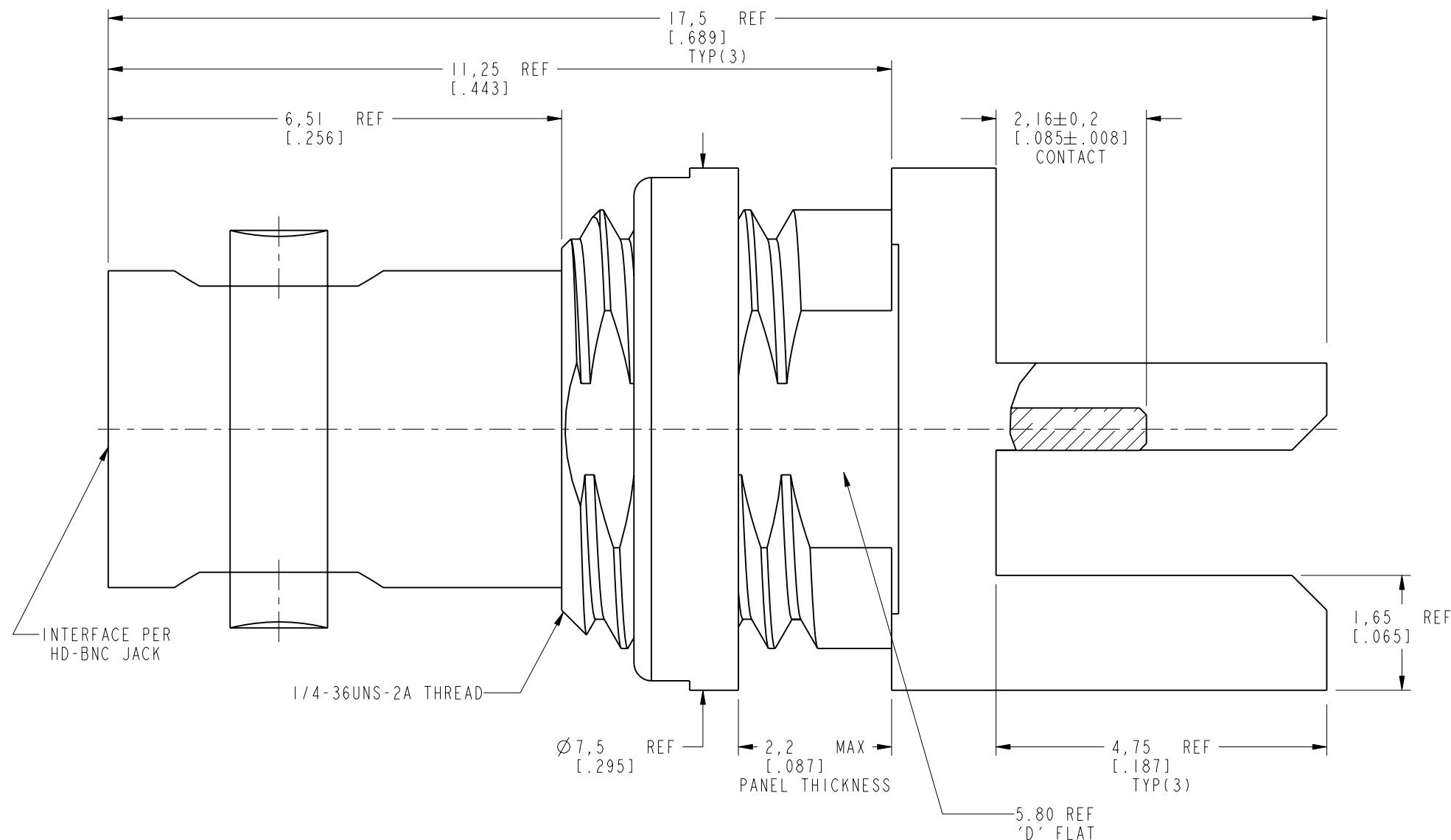
RECOMMENDED MOUNTING HOLE DIMENSIONS



RECOMMENDED PCB DIMENSIONS



SCALE 3.000



CUSTOMER OUTLINE DRAWING

ALL OTHER SHEETS ARE FOR INTERNAL USE ONLY

UNLESS OTHERWISE SPECIFIED, DIMENSIONS ARE IN METRIC AND TOLERANCES ARE:
 < 0.5mm ± 0.05mm 0.5 - 6mm ± 0.1mm 6 - 30mm ± 0.2mm 30 - 120mm ± 0.3mm ANGLES ± 1°

NOTICE - These drawings, specifications, or other data (1) are, and remain the property of Amphenol corp. (2) must be returned upon request; and (3) are confidential and not to be disclosed to any person other than those to whom they are given by Amphenol Corp. the furnishing of these drawings, specifications, or other data by Amphenol Corp., or to any other person to anyone for any purpose is not to be regarded by implication or otherwise in any manner licensing, granting rights to permitting such holder or any other person to manufacture, use or sell any product, process or design, patented or otherwise, that may in any way be related to or disclosed by said drawings, specifications, or other data.

MATERIAL	SEE NOTES
REFERENCE	EAR # 3896
CONFIGURATION LEVEL:	In Work
FINISH	

DRAWN	STAR	DATE	03-Mar-16
ENGINEER	SUNDE	DATE	03-Mar-16
APPROVED	S. HSIEH	DATE	03-Mar-16
CAD FILE			

TITLE	HD BNC BHD JACK EDGE MOUNT FOR 0.062" THICK BOARD
SCALE:	12.5:1.0
SHEET	2 OF 5
DWG SIZE	B
REV	A

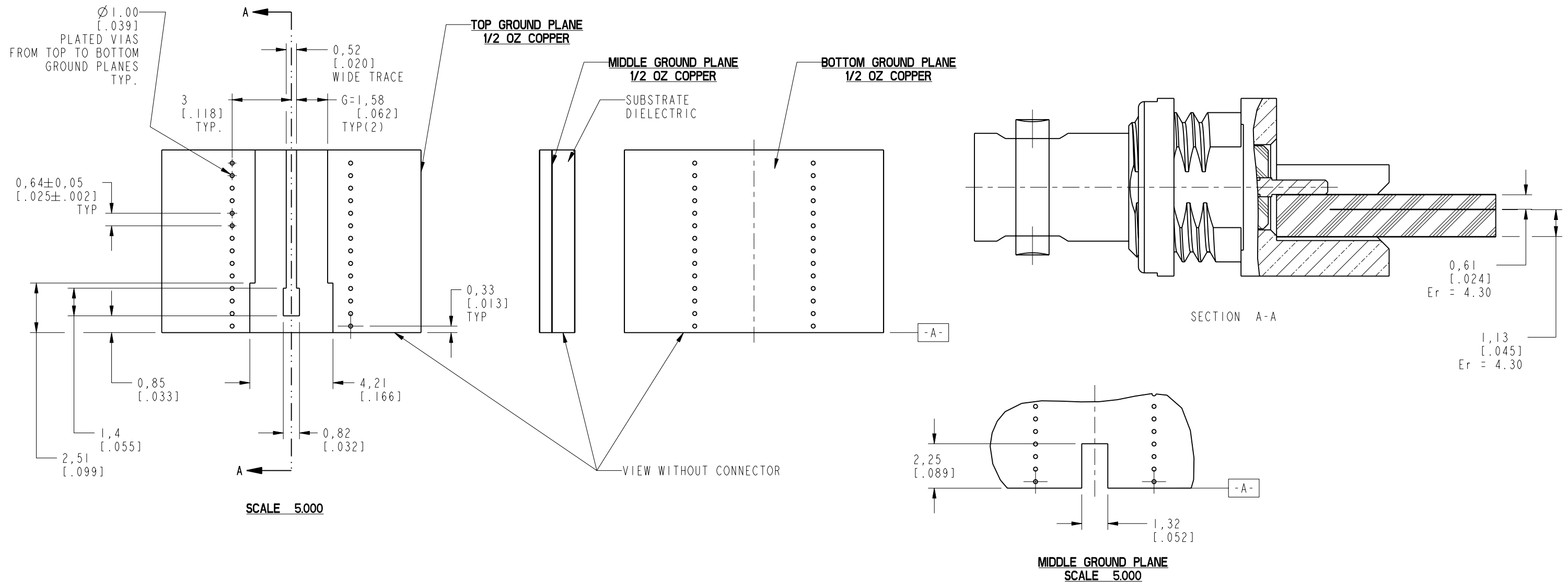
Amphenol RF	
www.amphenolrf.com	
DRAWING NO.	34-1018-12G
ITEM NO.	34-1018-12G
PART NO.	34-1018-12G

CONFIGURATION - 0

REV	DESCRIPTION	DATE	ECO	APPR
A	RELEASE TO MFG.	03-Mar-16	51040	MJD

RECOMMENDED PCB LAUNCH FOR OPTIMAL RF PERFORMANCE

VARIATIONS IN BOARD MATERIAL AND TRACE MAY REQUIRE DIFFERENT GEOMETRY
PLEASE CONTACT AMPHENOL RF FOR LAUNCH OPTIMIZATION



CUSTOMER OUTLINE DRAWING

ALL OTHER SHEETS ARE FOR INTERNAL USE ONLY

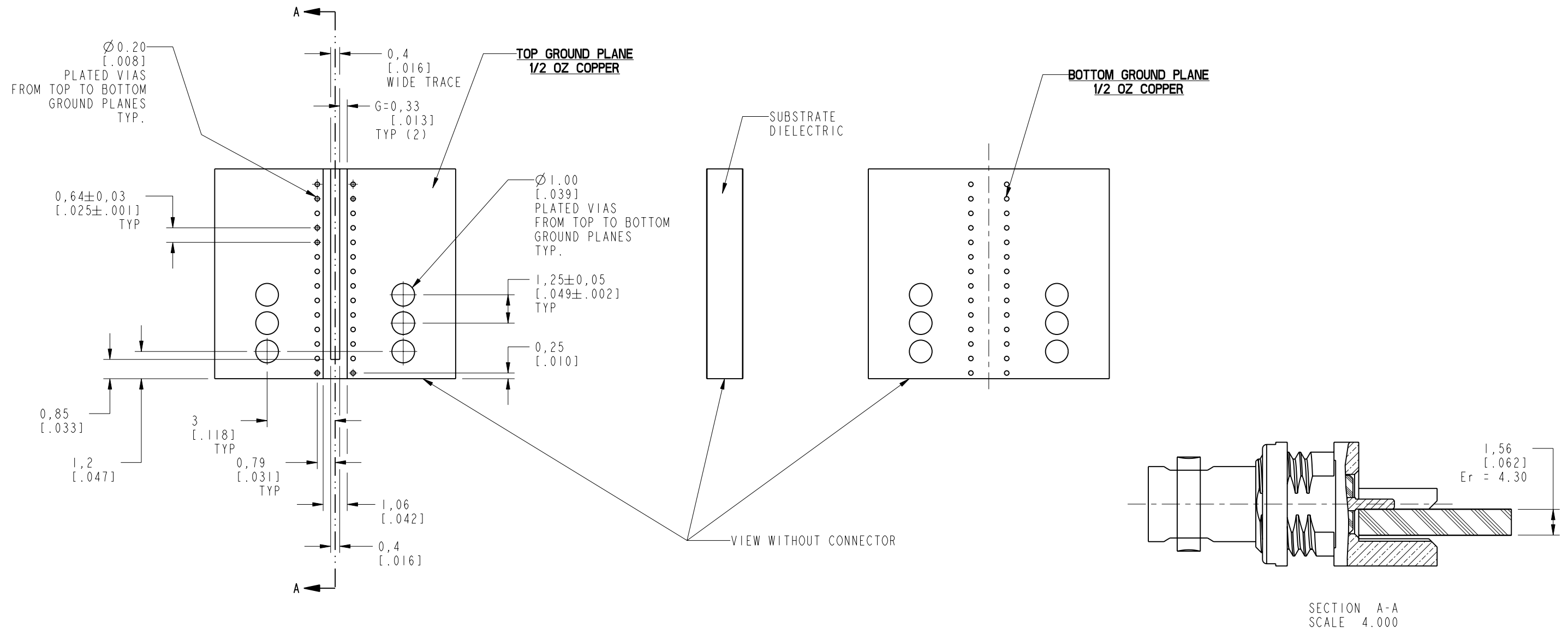
<p>UNLESS OTHERWISE SPECIFIED, DIMENSIONS ARE IN METRIC AND TOLERANCES ARE: < 0.5mm ± 0.05mm 0.5 - 6mm ± 0.1mm 6 - 30mm ± 0.2mm 30 - 120mm ± 0.3mm ANGLES ± 1°</p> <p>NOTICE - These drawings, specifications, or other data (1) are, and remain the property of Amphenol corp. (2) must be returned upon request; and (3) are confidential and not to be disclosed to any person other than those to whom they are given by Amphenol Corp. the furnishing of these drawings, specifications, or other data by Amphenol Corp., or to any other person to anyone for any purpose is not to be regarded by implication or otherwise in any manner licensing, granting rights to permitting such holder or any other person to manufacture, use or sell any product, process or design, patented or otherwise, that may in any way be related to or disclosed by said drawings, specifications, or other data.</p>	<p>MATERIAL</p>	<p>DRAWN STAR</p>	<p>DATE 03-Mar-16</p>	<p>TITLE HD BNC BHD JACK EDGE MOUNT FOR 0.062" THICK BOARD</p>	<p>Amphenol RF www.amphenolrf.com</p>
	<p>REFERENCE EAR # 3896</p>	<p>ENGINEER SUNDE</p>	<p>DATE 03-Mar-16</p>		
<p>CONFIGURATION LEVEL: In Work</p>	<p>APPROVED S. HSIEH</p>	<p>DATE 03-Mar-16</p>	<p>DWG SIZE B</p>	<p>REV A</p>	<p>DRAWING NO. 34-1018-12G</p>
<p>FINISH</p>					<p>ITEM NO. 34-1018-12G</p>
					<p>PART NO. 34-1018-12G</p>

CONFIGURATION - 1

REV	DESCRIPTION	DATE	ECO	APPR
A	RELEASE TO MFG	03-Mar-16	51040	MJD

RECOMMENDED PCB LAUNCH FOR OPTIMAL RF PERFORMANCE

VARIATIONS IN BOARD MATERIAL AND TRACE MAY REQUIRE DIFFERENT GEOMETRY
PLEASE CONTACT AMPHENOL RF FOR LAUNCH OPTIMIZATION



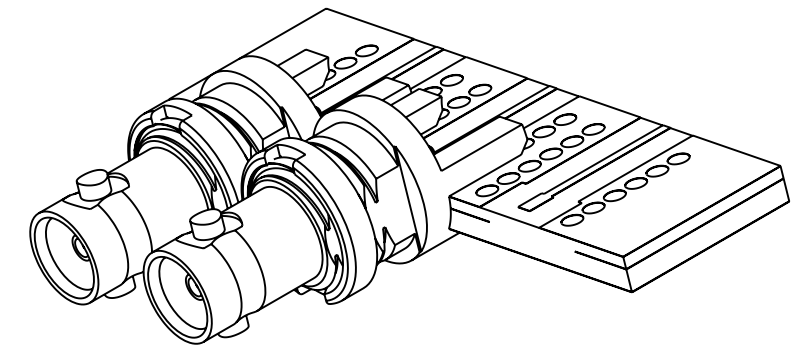
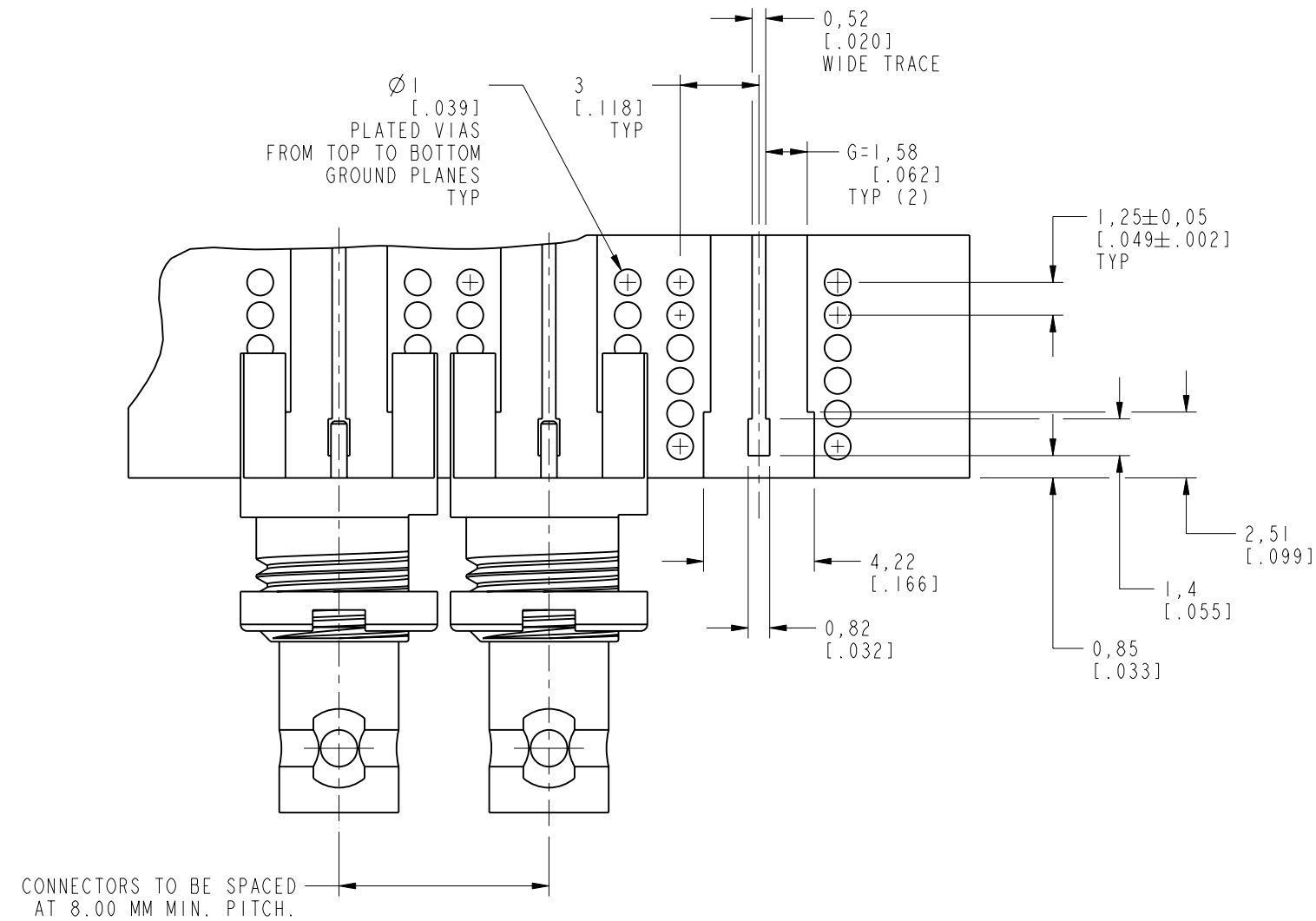
CUSTOMER OUTLINE DRAWING
ALL OTHER SHEETS ARE FOR INTERNAL USE ONLY

UNLESS OTHERWISE SPECIFIED, DIMENSIONS ARE IN METRIC AND TOLERANCES ARE: < 0.5mm ± 0.05mm 0.5 - 6mm ± 0.1mm 6 - 30mm ± 0.2mm 30 - 120mm ± 0.3mm ANGLES ± 1°	MATERIAL	DRAWN STAR	DATE 03-Mar-16	TITLE HD BNC BHD JACK EDGE MOUNT FOR 0.062" THICK BOARD	Amphenol RF www.amphenolrf.com
	NOTICE - These drawings, specifications, or other data (1) are, and remain the property of Amphenol corp. (2) must be returned upon request; and (3) are confidential and not to be disclosed to any person other than those to whom they are given by Amphenol Corp. the furnishing of these drawings, specifications, or other data by Amphenol Corp., or to any other person to anyone for any purpose is not to be regarded by implication or otherwise in any manner licensing, granting rights to permitting such holder or any other person to manufacture, use or sell any product, process or design, patented or otherwise, that may in any way be related to or disclosed by said drawings, specifications, or other data.	REFERENCE EAR # 3896 CONFIGURATION LEVEL: In Work FINISH	ENGINEER SUNDE		

THIRD ANGLE PROJ.

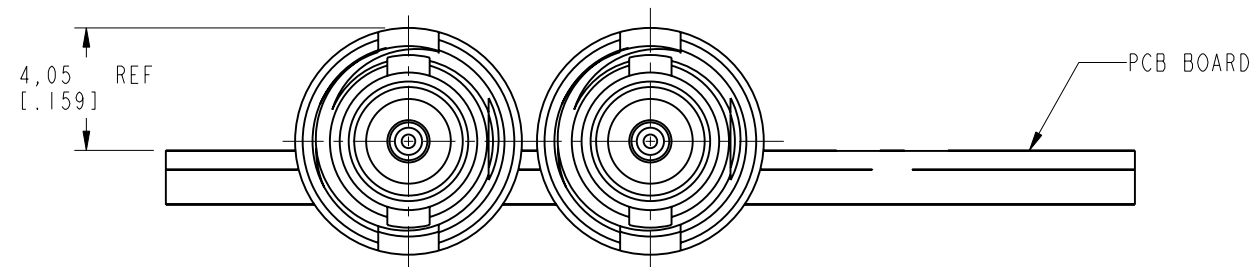
REVISIONS

REV	DESCRIPTION	DATE	ECO	APPR
A	RELEASE TO MFG.	03-Mar-16	51040	MJD



SCALE 3.000

RECOMMENDED PCB LAUNCH



CUSTOMER OUTLINE DRAWING

ALL OTHER SHEETS ARE FOR INTERNAL USE ONLY

UNLESS OTHERWISE SPECIFIED, DIMENSIONS ARE IN METRIC AND TOLERANCES ARE:
 < 0.5mm ± 0.05mm 0.5 - 6mm ± 0.1mm 6 - 30mm ± 0.2mm 30 - 120mm ± 0.3mm ANGLES ± 1°

NOTICE - These drawings, specifications, or other data (1) are, and remain the property of Amphenol corp. (2) must be returned upon request; and (3) are confidential and not to be disclosed to any person other than those to whom they are given by Amphenol Corp. the furnishing of these drawings, specifications, or other data by Amphenol Corp., or to any other person for any purpose is not to be regarded by implication or otherwise in any manner licensing, granting rights to permitting such holder or any other person to manufacture, use or sell any product, process or design, patented or otherwise, that may in any way be related to or disclosed by said drawings, specifications, or other data.

MATERIAL	DRAWN STAR	DATE 03-Mar-16
REFERENCE EAR # 3896	ENGINEER SUNDE	DATE 03-Mar-16
CONFIGURATION LEVEL: In Work	APPROVED S. HSIEH	DATE 03-Mar-16
FINISH	CAD FILE	

TITLE HD BNC BHD JACK EDGE MOUNT FOR 0.062" THICK BOARD
SCALE: 15.0:1.0 SHEET 5 OF 5
DWG SIZE B
REV A

Amphenol RF
www.amphenolrf.com
DRAWING NO. 34-1018-12G
ITEM NO. 34-1018-12G
PART NO. 34-1018-12G

X-ON Electronics

Largest Supplier of Electrical and Electronic Components

Click to view similar products for [RF Connectors / Coaxial Connectors](#) category:

Click to view products by [Amphenol](#) manufacturer:

Other Similar products are found below :

[8915-1511-000](#) [89674-0827](#) [6001-7071-019](#) [6002-7051-003](#) [6002-7551-202](#) [6059674-1](#) [619550-1](#) [630059-000](#) [M39030/3-01N](#) [M3933/25-36N](#) [6500-7071-046](#) [6769](#) [CX050L2AQ](#) [7002-1542-011](#) [7004-1512-000](#) [7009-1511-004](#) [7010-1511-000](#) [7029-1511-060](#) [7101-1541-010](#) [7101-1571-002](#) [7105-1521-002](#) [7145-1521-002](#) [7203-1571-003](#) [7209-1511-011](#) [7210-1511-015](#) [7210-1511-019](#) [73137-5015](#) [73216-2241](#) [7325-1512-000](#) [73404-2300](#) [7405-1521-005](#) [7405-1521-802](#) [7406-1521-005](#) [8527](#) [8547](#) [FS11V](#) [8808-1511-001](#) [9049-9513-000](#) [9074-9513-000](#) [9101-9573-002](#) [910A205F](#) [9130-9573-002](#) [PL11SC-026](#) [PL375-33](#) [PL40-5](#) [PL71-9](#) [PL74C-221](#) [PL75MC-217](#) [PL803-7](#) [980-8666-005](#)