

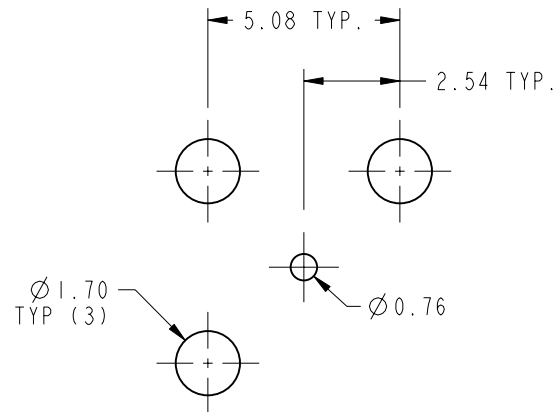
NOTES:

1. MATERIALS AND FINISHES:  
 BODY - BRASS, GOLD PLATING.  
 CONTACT - BeCu, GOLD PLATING.  
 INSULATOR - PTFE
2. ELECTRICAL:  
 A. IMPEDANCE: 75 OHM  
 B. FREQUENCY RANGE: DC -4.5 GHz  
 C. DIELECTRIC WITHSTANDING VOLTAGE: 1000 VRMS, MIN.  
 D. INSULATION RESISTANCE: 10,000 MEGOHMS MIN  
 E. VOLTAGE RATING: 335 VRMS
3. MECHANICAL:  
 A. DURABILITY: 500 CYCLES MIN.
4. ENVIRONMENTAL:  
 A. THERMAL SHOCK PER MIL-STD-202 METHOD 107  
 TEST CONDITION B (EXCEPT HIGH TEMP @200°C)  
 B. VIBRATION: MIL-STD-202 METHOD 204 TEST CONDITION B  
 C. SHOCK: MIL-STD-202 METHOD 213 TEST CONDITION B  
 D. CORROSION: MIL-STD-202 METHOD 101  
 TEST CONDITION B 5% SALT SOLUTION
5. PACKAGING:  
 A. QUANTITY: SINGLE PACK  
 B. MARKING: BAG TO BE MARKED:  
 "AMPHENOLRF, 34-1021 DATE CODE"

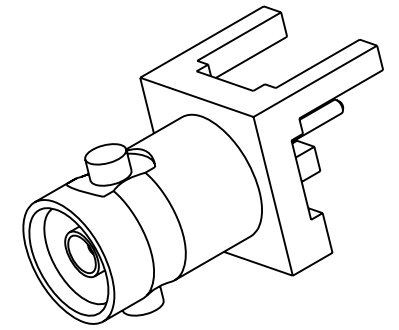
THIRD ANGLE PROJ.

REVISIONS

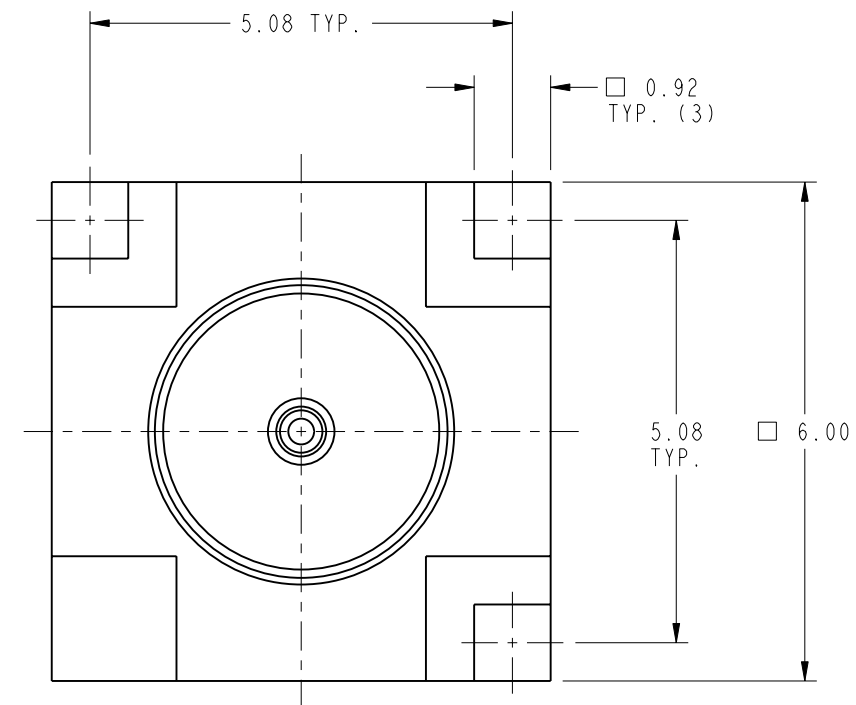
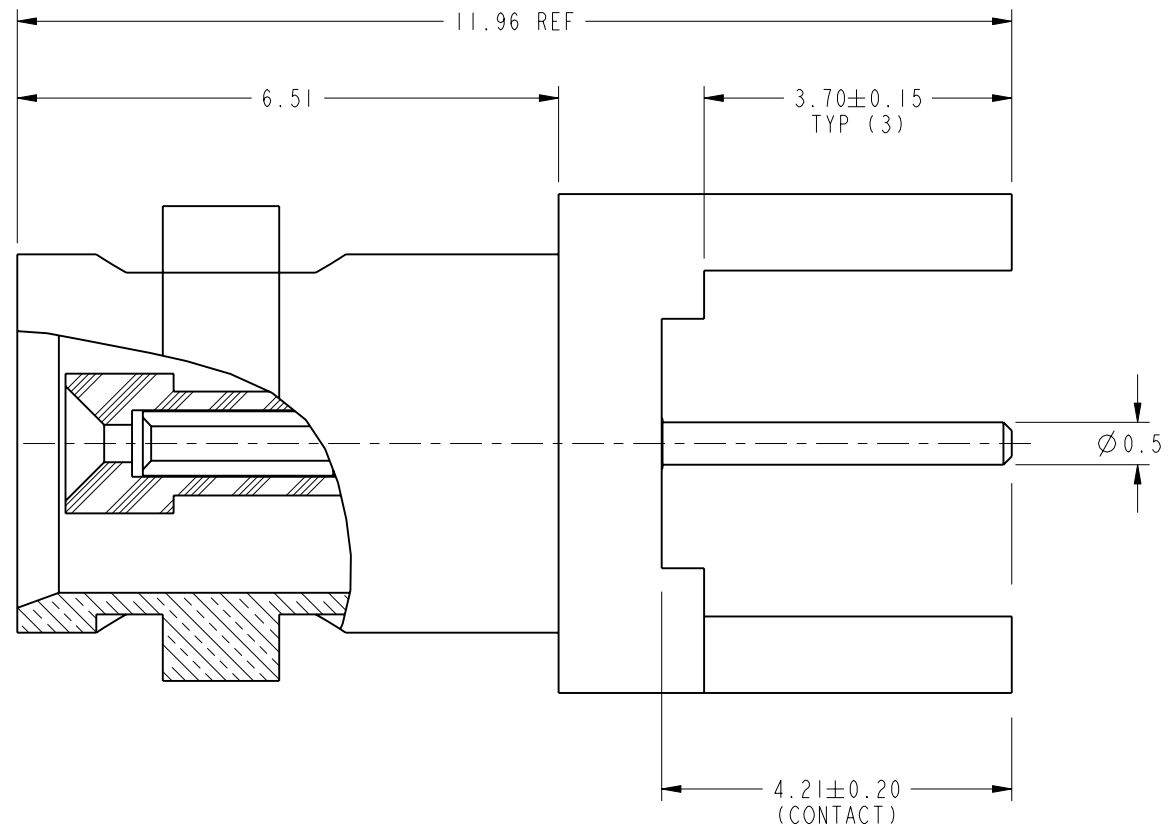
REV	DESCRIPTION	DATE	ECO	APPR
A	RELEASE TO MFG.	25-May-10	48095	SH



**SCALE 5.000**  
**RECOMMENDED PCB MOUNTING**  
**HOLES DIMENSIONS**



SCALE 4.000



**CUSTOMER OUTLINE DRAWING**

ALL OTHER SHEETS ARE FOR INTERNAL USE ONLY

UNLESS OTHERWISE SPECIFIED, DIMENSIONS ARE IN METRIC AND TOLERANCES ARE:  
 <0.5mm ±0.05mm    0.5 - 6mm ±0.1mm    6 - 30mm ±0.2mm    30 - 120mm ±0.3mm    ANGLES ±1°

NOTICE - These drawings, specifications, or other data (1) are, and remain the property of Amphenol corp. (2) must be returned upon request; and (3) are confidential and not to be disclosed to any person other than those to whom they are given by Amphenol Corp. the furnishing of these drawings, specifications, or other data by Amphenol Corp., or to any other person to anyone for any purpose is not to be regarded by implication or otherwise in any manner licensing, granting rights to permitting such holder or any other sperson to manufacture, use or sell any product, process or design, patented or otherwise, that may in any way be related to or disclosed by said drawings, specifications, or other data.

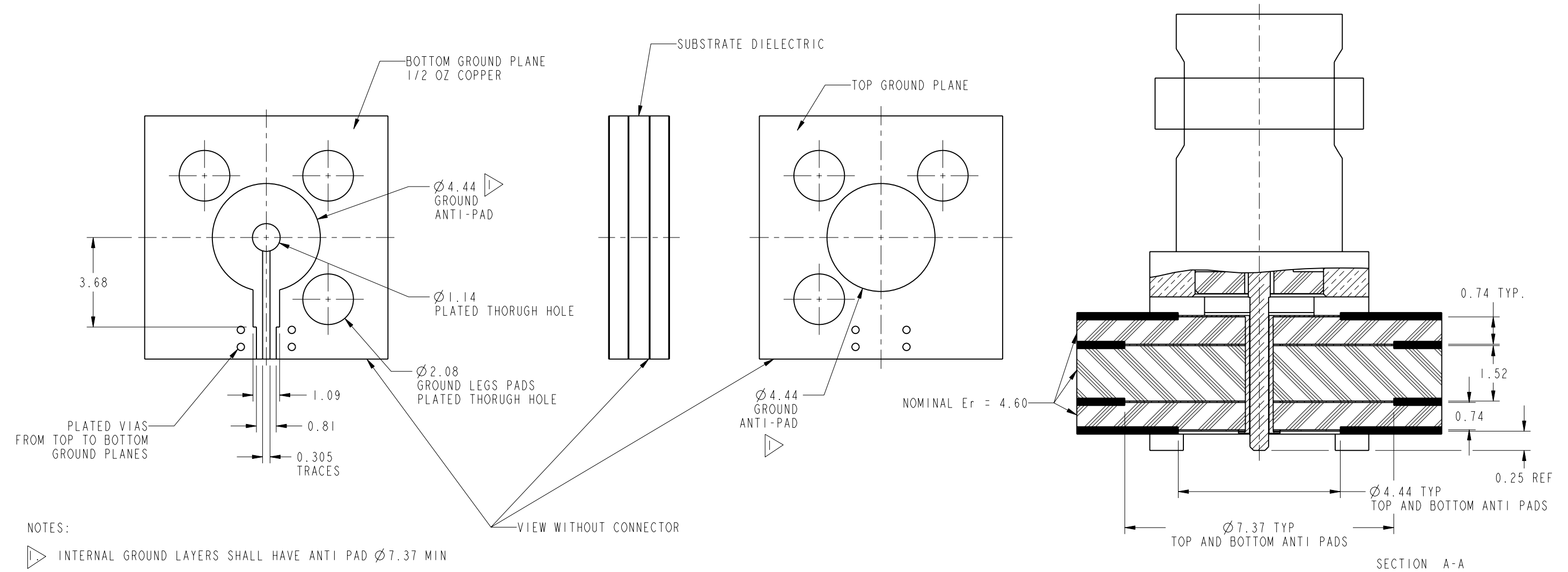
MATERIAL SEE NOTES	DRAWN S.LI	DATE 13-May-10	TITLE HD-BNC STR JACK PCB THROUGH HOLE 3 LEGS RECEPTACLE	Amphenol RF Danbury CT USA, Tainan, Taiwan, Shenzhen, China www.amphenolrf.com
REFERENCE EAR #3965	ENGINEER PADMANABHAN E	DATE 10-Mar-10		
CONFIGURATION LEVEL: Prototype	APPROVED S.HSIEH	DATE 14-May-10	SCALE: 11.0:1.0 SHEET 2 OF 4	DRAWING NO.34-1021
FINISH	Root Folder/HD-BNC/34-1021	DWG SIZE B	REV A	ITEM NO.34-1021
				PART NO.34-1021

THIRD ANGLE PROJ.

REVISIONS				
REV	DESCRIPTION	DATE	ECO	APPR
A	RELEASE TO MFG.	25-May-10	48095	SH

# RECOMMENDED PCB LAUNCH FOR OPTIMAL RF PERFORMANCE

VARIATIONS IN BOARD SUBSTRATE AND TRACE MAY REQUIRE DIFFERENT GEOMETRY



<p>UNLESS OTHERWISE SPECIFIED, DIMENSIONS ARE IN METRIC AND TOLERANCES ARE:</p> <table border="1"> <tr> <td>&lt;0.5mm</td> <td>0.5 - 6mm</td> <td>6 - 30mm</td> <td>30 - 120mm</td> <td>ANGLES</td> </tr> <tr> <td><math>\pm 0.05mm</math></td> <td><math>\pm 0.1mm</math></td> <td><math>\pm 0.2mm</math></td> <td><math>\pm 0.3mm</math></td> <td><math>\pm 1^\circ</math></td> </tr> </table> <p>NOTICE - These drawings, specifications, or other data (1) are, and remain the property of Amphenol corp. (2) must be returned upon request; and (3) are confidential and not to be disclosed to any person other than those to whom they are given by Amphenol Corp. the furnishing of these drawings, specifications, or other data by Amphenol Corp., or to any other person to anyone for any purpose is not to be regarded by implication or otherwise in any manner licensing, granting rights to permitting such holder or any other person to manufacture, use or sell any product, process or design, patented or otherwise, that may in any way be related to or disclosed by said drawings, specifications, or other data.</p>	<0.5mm	0.5 - 6mm	6 - 30mm	30 - 120mm	ANGLES	$\pm 0.05mm$	$\pm 0.1mm$	$\pm 0.2mm$	$\pm 0.3mm$	$\pm 1^\circ$	<p>MATERIAL</p> <p>--</p>	<p>DRAWN</p> <p>S.LI</p>	<p>DATE</p> <p>13-May-10</p>	<p>TITLE</p> <p>HD-BNC, STR JACK PCB THROUGH HOLE 3 LEGS RECEPTACLE</p>	<p>Amphenol RF</p> <p>Danbury CT USA, Tainan, Taiwan, Shenzhen, China</p> <p>www.amphenolrf.com</p>
	<0.5mm	0.5 - 6mm	6 - 30mm	30 - 120mm	ANGLES										
$\pm 0.05mm$	$\pm 0.1mm$	$\pm 0.2mm$	$\pm 0.3mm$	$\pm 1^\circ$											
<p>REFERENCE</p> <p>EAR #3965</p> <p>CONFIGURATION LEVEL: Prototype</p> <p>FINISH</p>	<p>ENGINEER</p> <p>PADMANABHAN E</p> <p>APPROVED</p> <p>S.HSIEH</p> <p>CAD FILE</p> <p>Root Folder/HD-BNC/34-1021</p>	<p>DATE</p> <p>10-Mar-10</p> <p>DATE</p> <p>14-May-10</p>	<p>SCALE: 1.0:1.0</p> <p>SHEET 3 OF 4</p> <p>DWG SIZE B</p> <p>REV A</p>	<p>DRAWING NO.34-1021</p> <p>ITEM NO.34-1021</p> <p>PART NO.34-1021</p>											

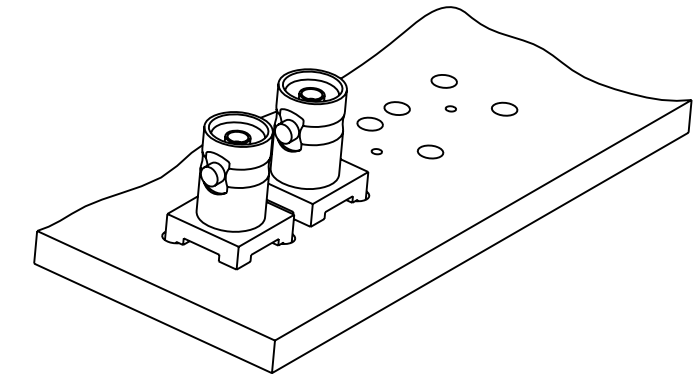
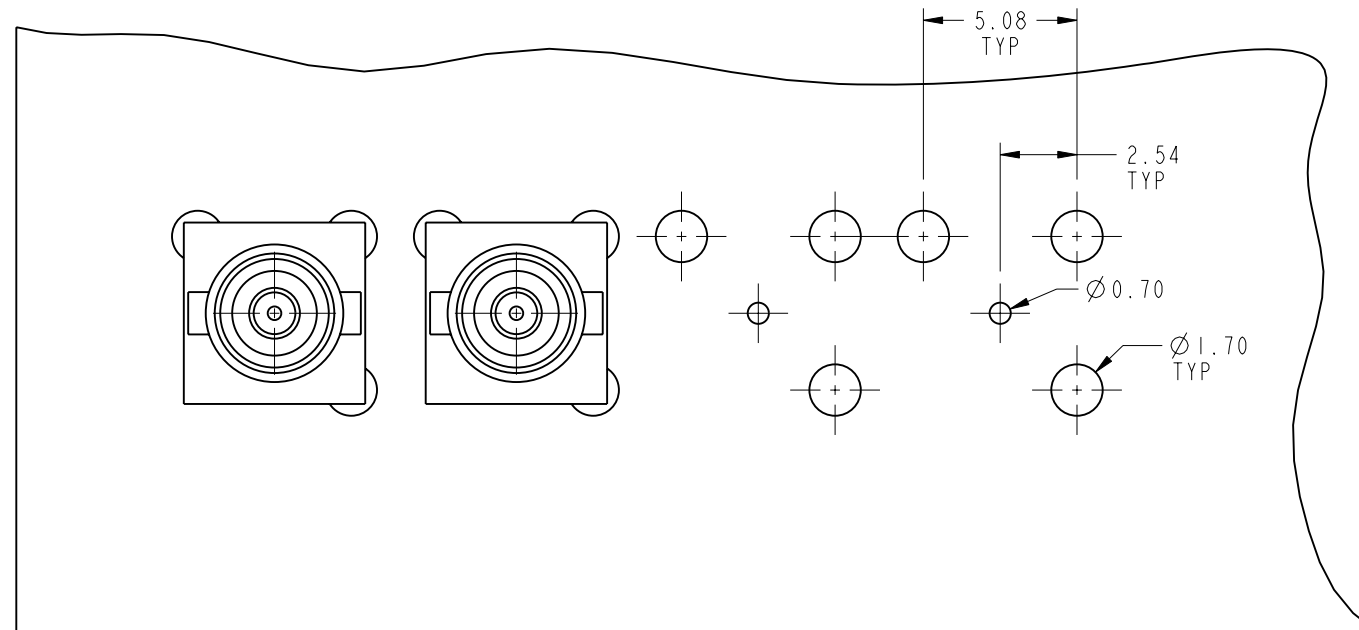
THIRD ANGLE PROJ.

REVISIONS

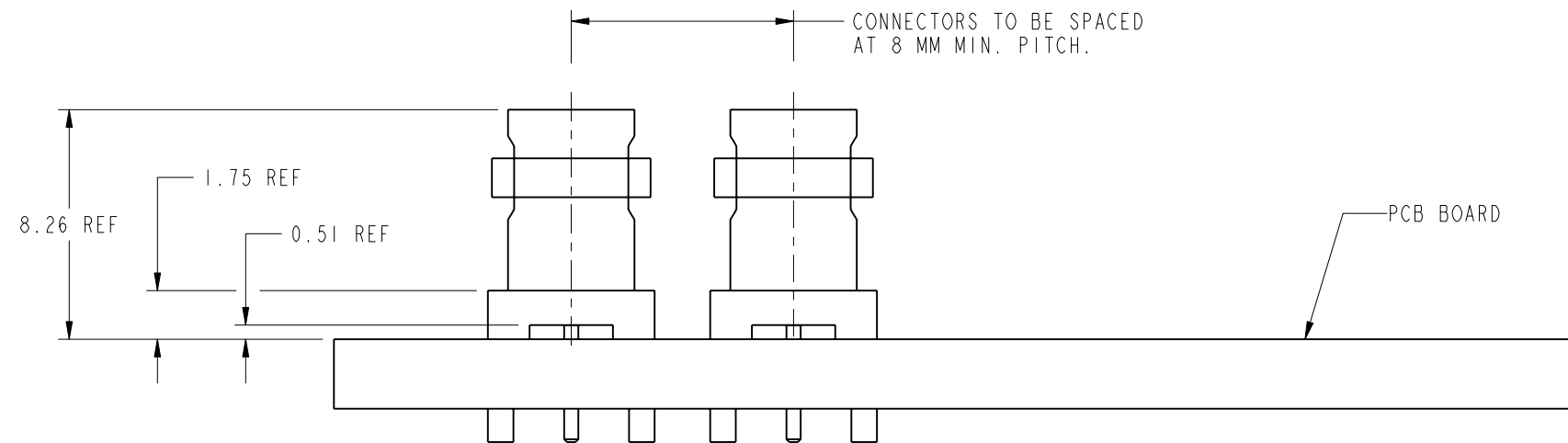
REV	DESCRIPTION	DATE	ECO	APPR
A	RELEASE TO MFG.	25-May-10	48095	SH

# CUSTOMER OUTLINE DRAWING

ALL OTHER SHEETS ARE FOR INTERNAL USE ONLY



SCALE 2.000



# RECOMMENDED PCB MOUNTING HOLES

UNLESS OTHERWISE SPECIFIED, DIMENSIONS ARE IN METRIC AND TOLERANCES ARE:  
 <0.5mm ±0.05mm    0.5 - 6mm ±0.1mm    6 - 30mm ±0.2mm    30 - 120mm ±0.3mm    ANGLES ±1°

NOTICE - These drawings, specifications, or other data (1) are, and remain the property of Amphenol corp. (2) must be returned upon request; and (3) are confidential and not to be disclosed to any person other than those to whom they are given by Amphenol Corp. the furnishing of these drawings, specifications, or other data by Amphenol Corp., or to any other person to anyone for any purpose is not to be regarded by implication or otherwise in any manner licensing, granting rights to permitting such holder or any other sperson to manufacture, use or sell any product, process or design, patented or otherwise, that may in any way be related to or disclosed by said drawings, specifications, or other data.

MATERIAL	---	DRAWN	S.LI	DATE	13-May-10	TITLE	Amphenol RF
REFERENCE	EAR #3965	ENGINEER	PADMANABHAN E	DATE	10-Mar-10		
CONFIGURATION LEVEL:	Prototype	APPROVED	S.HSIEH	DATE	14-May-10	SCALE: 12.0:1.0	DRAWING NO. 34-1021
FINISH		CAD FILE	Root Folder/HD-BNC/34-1021			SHEET 4 OF 4	ITEM NO. 34-1021
						DWG SIZE B	PART NO. 34-1021
						REV A	

## X-ON Electronics

Largest Supplier of Electrical and Electronic Components

*Click to view similar products for [RF Connectors / Coaxial Connectors](#) category:*

*Click to view products by [Amphenol](#) manufacturer:*

Other Similar products are found below :

[8915-1511-000](#) [89674-0827](#) [6001-7071-019](#) [6002-7051-003](#) [6002-7551-202](#) [6059674-1](#) [619550-1](#) [630059-000](#) [M39030/3-01N](#) [M3933/25-36N](#) [6500-7071-046](#) [6769](#) [CX050L2AQ](#) [7002-1542-011](#) [7004-1512-000](#) [7009-1511-004](#) [7010-1511-000](#) [7029-1511-060](#) [7101-1541-010](#) [7101-1571-002](#) [7105-1521-002](#) [7145-1521-002](#) [7203-1571-003](#) [7209-1511-011](#) [7210-1511-015](#) [7210-1511-019](#) [73137-5015](#) [73216-2241](#) [7325-1512-000](#) [73404-2300](#) [7405-1521-005](#) [7405-1521-802](#) [7406-1521-005](#) [8527](#) [8547](#) [FS11V](#) [8808-1511-001](#) [9049-9513-000](#) [9074-9513-000](#) [9101-9573-002](#) [910A205F](#) [9130-9573-002](#) [PL11SC-026](#) [PL375-33](#) [PL40-5](#) [PL71-9](#) [PL74C-221](#) [PL75MC-217](#) [PL803-7](#) [980-8666-005](#)