

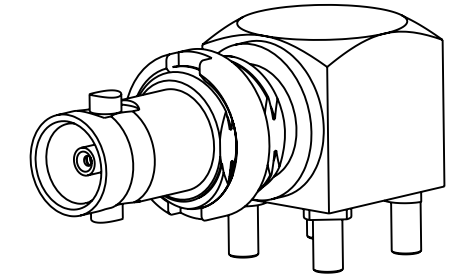
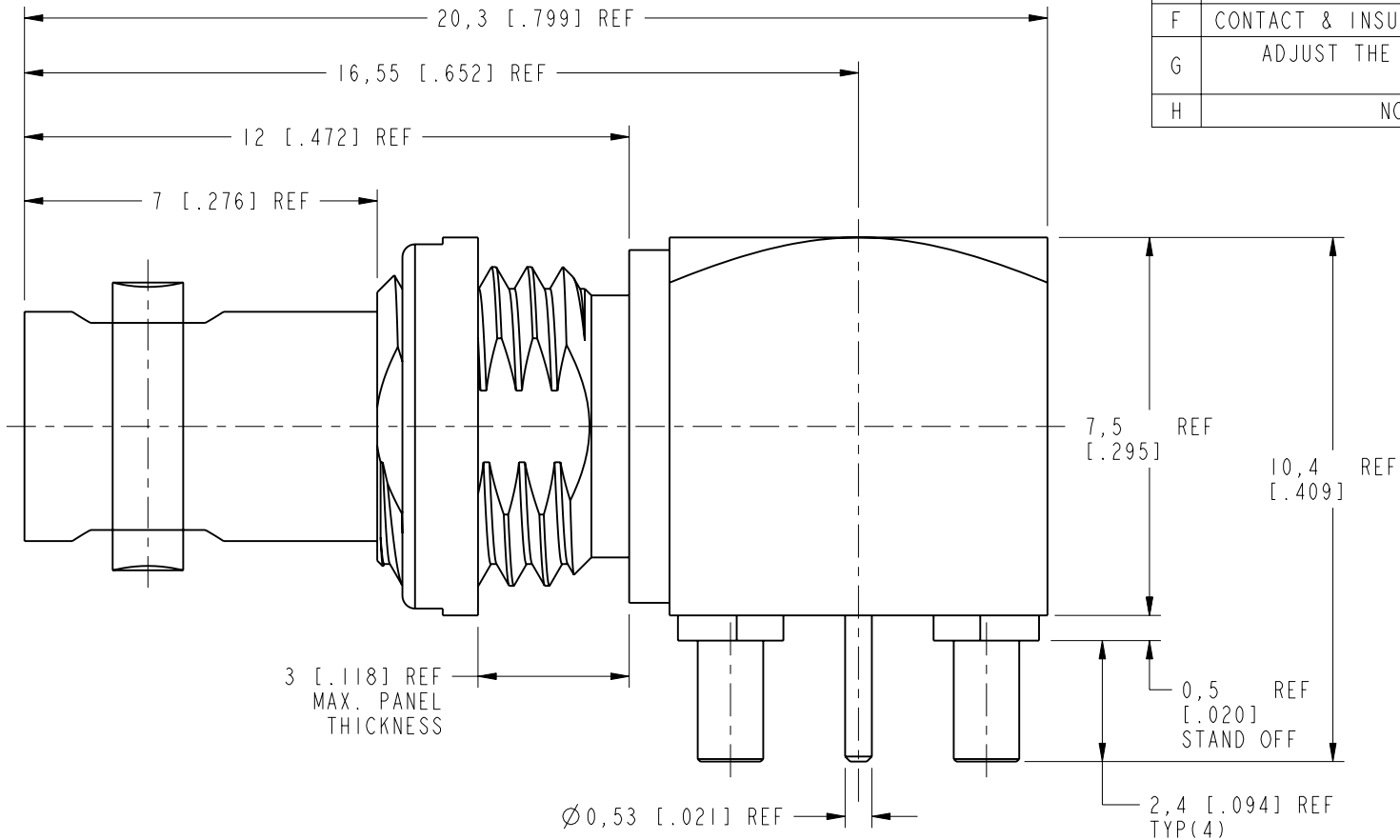
NOTES:

- MATERIALS AND FINISHES:
 BODY, CAP & NUT - BRASS, NICKEL PLATING
 REAR BODY - BRASS, GOLD PLATING
 CONTACT - BeCu, GOLD PLATING
 INSULATORS - PTFE, NATURAL
 INSULATOR - ULTEM 1000, NATURAL
- ELECTRICAL:
 A. IMPEDANCE: 75 OHMS
 B. FREQUENCY RANGE: DC - 18 GHz
 C. RETURN LOSS : 30 dB MIN @ DC - 6 GHz
 12 dB MIN @ 6 - 12 GHz
 D. DIELECTRIC WITHSTANDING VOLTAGE: 1000 VRMS, MIN.
 E. INSULATION RESISTANCE: 10,000 MEGAOHMS MIN
- MECHANICAL:
 A. DURABILITY: 500 CYCLES MIN.
- ENVIRONMENTAL:
 A. THERMAL SHOCK PER MIL-STD-202 METHOD 107
 TEST CONDITION B (EXCEPT HIGH TEMP @200° C)
 B. VIBRATION: MIL-STD-202 METHOD 204 TEST CONDITION B
 C. SHOCK: MIL-STD-202 METHOD 213 TEST CONDITION B
 D. CORROSION: MIL-STD-202 METHOD 101
 TEST CONDITION B 5% SALT SOLUTION
- PACKAGING:
 A. QUANTITY: SINGLE PACK
 B. MARKING: BAG TO BE MARKED
 "AMPHENOL RF, 34-1030 & DATE CODE
 FREQUENCY RANGE: DC - 18 GHz"

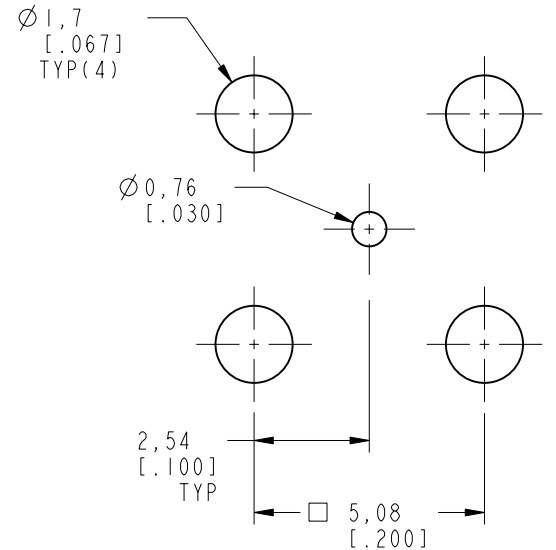
THIRD ANGLE PROJ.

REVISIONS

REV	DESCRIPTION	DATE	ECN	APPR
A	RELEASE TO MFG.	13-Oct-10	48270	PNE
B	REMOVE FORMING\RD-DMI0120201I	09-Dec-10	48368	SH
E	UPDATE DESIGN BODY AND HOUSING, CAP WAS CHANGED	24-Oct-12	49222	DH
F	CONTACT & INSULATORS WERE CHANGED\RD-DMI6010702M	14-Jan-15	-----	MZ
G	ADJUST THE BODY & HOUSING WALL THINCKNESS \RD-DMI6042901S2	06-May-16	04607	HHE
H	NO CHANGE TO THIS SHEET	07-Jan-19	10141	SH

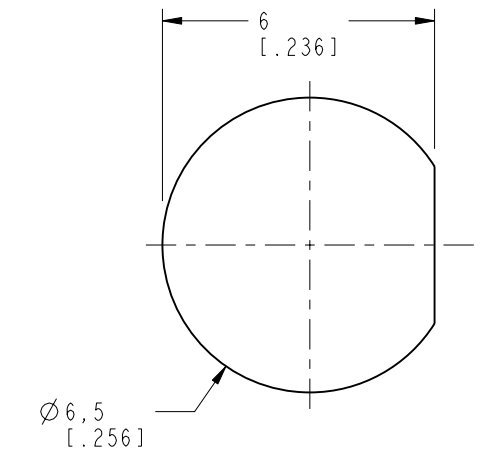
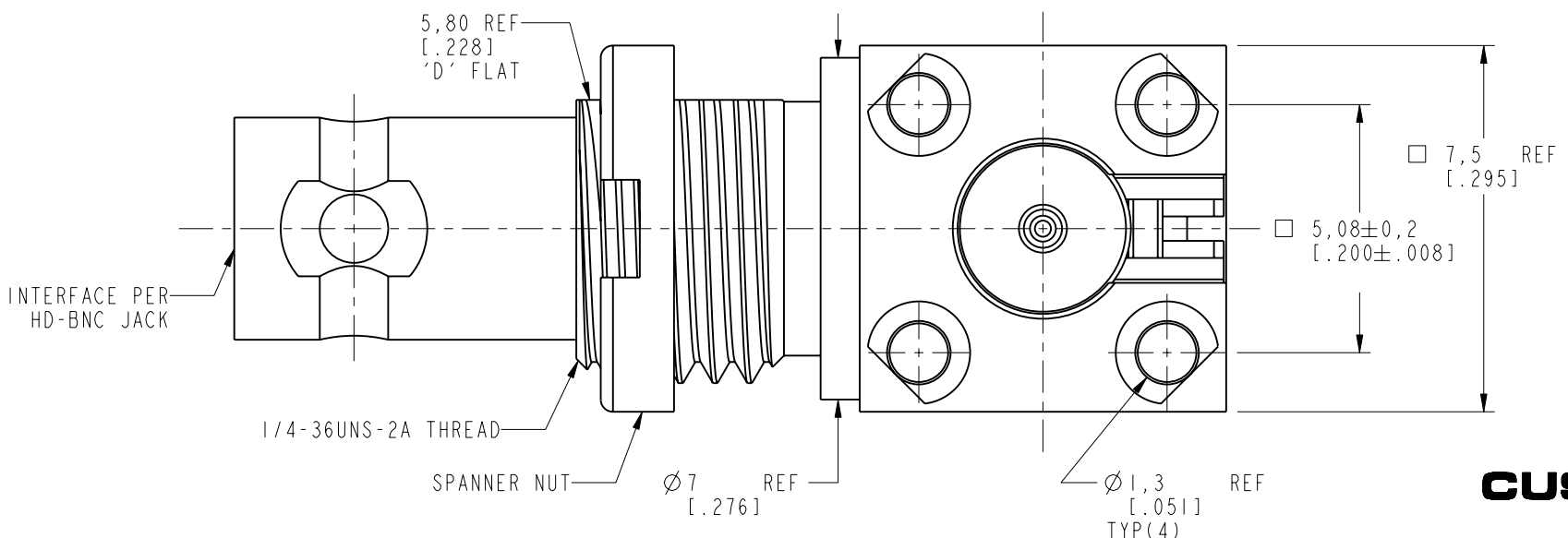


SCALE 3.000



RECOMMENDED PCB LAYOUT

SCALE 6.000



RECOMMENDED MOUNTING HOLE DIMENSIONS

SCALE 6.000

CUSTOMER OUTLINE DRAWING
 ALL OTHER SHEETS ARE FOR INTERNAL USE ONLY

UNLESS OTHERWISE SPECIFIED, DIMENSIONS ARE IN METRIC AND TOLERANCES ARE:
 <0.5mm ±0.05mm 0.5 - 6mm ±0.1mm 6 - 30mm ±0.2mm 30 - 120mm ±0.3mm ANGLES ±1°

NOTICE - These drawings, specifications, or other data (1) are, and remain the property of Amphenol corp. (2) must be returned upon request; and (3) are confidential and not to be disclosed to any person other than those to whom they are given by Amphenol Corp. the furnishing of these drawings, specifications, or other data by Amphenol Corp., or to any other person to anyone for any purpose is not to be regarded by implication or otherwise in any manner licensing, granting rights to permitting such holder or any other person to manufacture, use or sell any product, process or design, patented or otherwise, that may in any way be related to or disclosed by said drawings, specifications, or other data.

MATERIAL	-
REFERENCE	EAR# 4028
REF: --	
CONFIGURATION LEVEL:	In Work
FINISH	

DRAWN	M. ZHANG	DATE	07-Jan-19
ENGINEER	NISCHIT MV	DATE	06-Apr-10
APPROVED	S.HSIEH	DATE	07-Jan-19
CAD FILE			

TITLE		HD BNC RA BHD JACK PCB MOUNT	
SCALE:	7.0:1.0	SHEET 2 OF 6	
DWG SIZE	B	REV	H

Amphenol RF	
www.amphenolrf.com	
DRAWING NO.	HDB6252C1-001-NT5GP-75
ITEM NO.	546252AAAAIUZ7F
PART NO.	34-1030

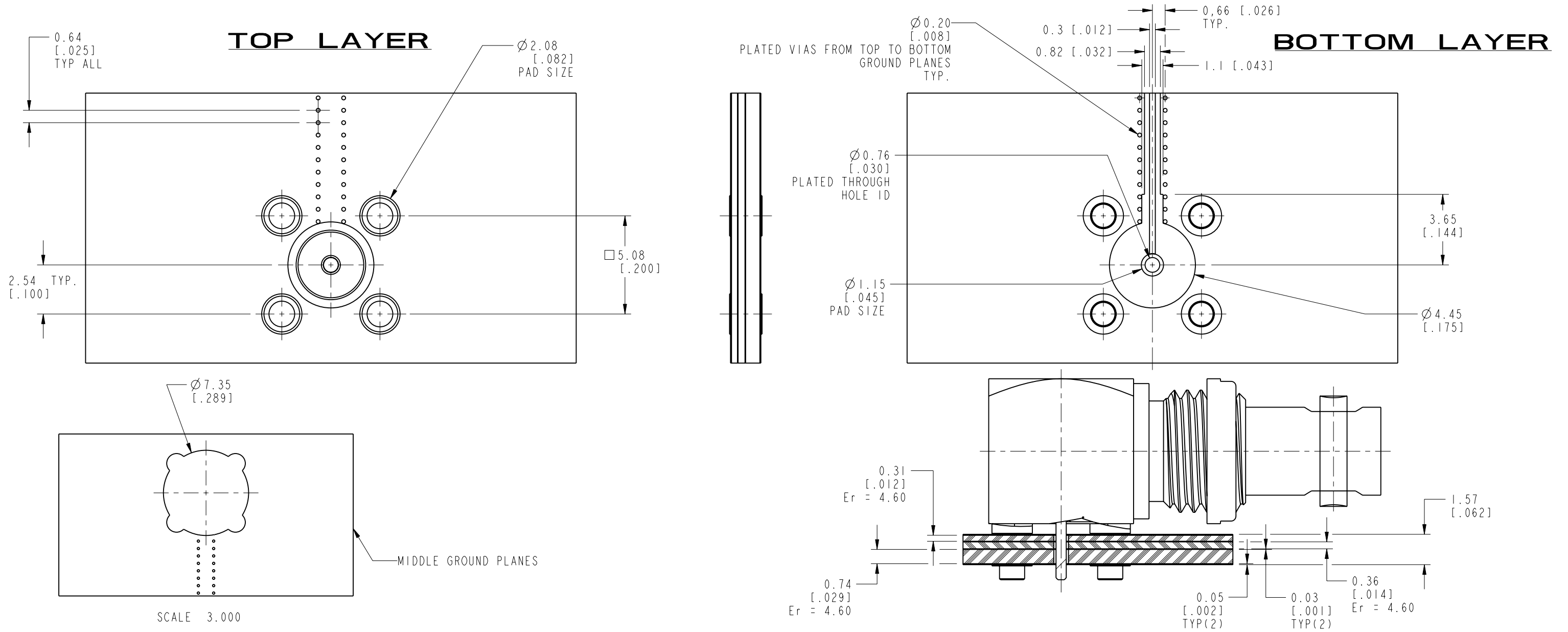
THIRD ANGLE PROJ.

REVISIONS				
REV	DESCRIPTION	DATE	ECN	APPR
A	RELEASE TO MFG.	13-Oct-10	48270	PNE
B	REMOVE FORMING\RD-DMI0120201T1	09-Dec-10	48368	SH
E	UPDATE DESIGN BODY AND HOUSING, CAP WAS CHANGED	24-Oct-12	49222	DH
F	CONTACT & INSULATORS WERE CHANGED\RD-DMI6010702M	14-Jan-15	-----	MZ
G	ADJUST THE BODY & HOUSING WALL THINCKNESS \RD-DMI6042901S2	06-May-16	04607	HHE
H	NO CHANGE TO THIS SHEET	07-Jan-19	10141	SH

CONFIGURATION-O

RECOMMENDED PCB LAUNCH FOR OPTIMAL RF PERFORMANCE

VARIATIONS IN BOARD SUBSTRATE AND TRACE MAY REQUIRE DIFFERENT GEOMETRY



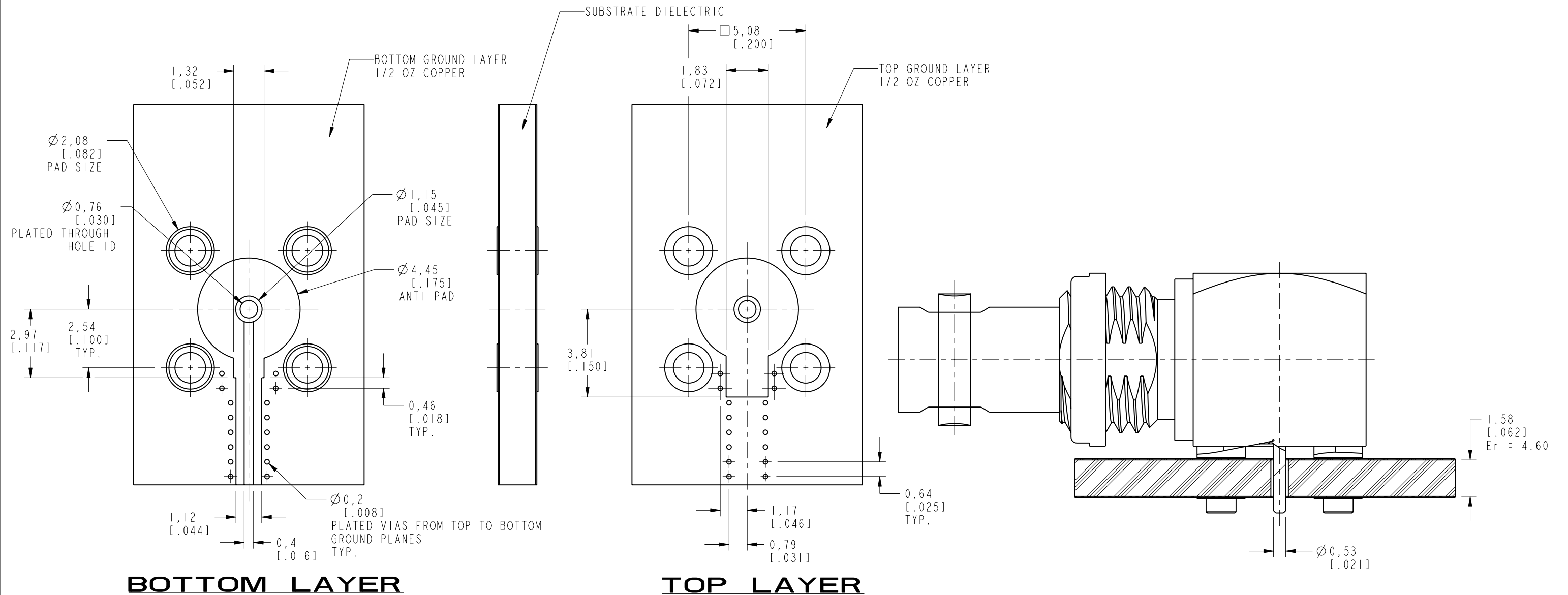
<p>UNLESS OTHERWISE SPECIFIED, DIMENSIONS ARE IN METRIC AND TOLERANCES ARE:</p> <table border="0"> <tr> <td><0.5mm</td> <td>0.5 - 6mm</td> <td>6 - 30mm</td> <td>30 - 120mm</td> <td>ANGLES</td> </tr> <tr> <td>± 0.05mm</td> <td>±0.1mm</td> <td>±0.2mm</td> <td>± 0.3mm</td> <td>±1°</td> </tr> </table> <p>NOTICE - These drawings, specifications, or other data (1) are, and remain the property of Amphenol corp. (2) must be returned upon request; and (3) are confidential and not to be disclosed to any person other than those to whom they are given by Amphenol Corp. the furnishing of these drawings, specifications, or other data by Amphenol Corp., or to any other person to anyone for any purpose is not to be regarded by implication or otherwise in any manner licensing, granting rights to permitting such holder or any other person to manufacture, use or sell any product, process or design, patented or otherwise, that may in any way be related to or disclosed by said drawings, specifications, or other data.</p>	<0.5mm	0.5 - 6mm	6 - 30mm	30 - 120mm	ANGLES	± 0.05mm	±0.1mm	±0.2mm	± 0.3mm	±1°	<p>MATERIAL</p> <p>-</p>	<p>DRAWN</p> <p>M. ZHANG</p>	<p>DATE</p> <p>07-Jan-19</p>	<p>TITLE</p> <p>HD BNC RA BHD JACK PCB MOUNT</p>	<p>Amphenol RF</p> <p>www.amphenolrf.com</p>
	<0.5mm	0.5 - 6mm	6 - 30mm	30 - 120mm	ANGLES										
± 0.05mm	±0.1mm	±0.2mm	± 0.3mm	±1°											
<p>REFERENCE</p> <p>EAR# 4028</p> <p>REF: --</p>	<p>ENGINEER</p> <p>NISCHIT MV</p>	<p>DATE</p> <p>06-Apr-10</p>	<p>APPROVED</p> <p>S.HSIEH</p>	<p>DATE</p> <p>07-Jan-19</p>	<p>DRAWING NO. HDB6252C1-001-NT5GP-75</p>										
<p>CONFIGURATION LEVEL: In Work</p>	<p>FINISH</p>	<p>CAD FILE</p>	<p>SCALE: 5.0:1.0</p>	<p>SHEET 3 OF 6</p>	<p>ITEM NO. 546252AAAAIUZ7F</p>										
			<p>DWG SIZE</p> <p>B</p>	<p>REV</p> <p>H</p>	<p>PART NO. 34-1030</p>										

REVISIONS				
REV	DESCRIPTION	DATE	ECN	APPR
A	RELEASE TO MFG.	13-Oct-10	48270	PNE
B	REMOVE FORMING\RD-DMI0120201T1	09-Dec-10	48368	SH
E	UPDATE DESIGN BODY AND HOUSING, CAP WAS CHANGED	24-Oct-12	49222	DH
F	CONTACT & INSULATORS WERE CHANGED\RD-DMI6010702M	14-Jan-15	-----	MZ
G	ADJUST THE BODY & HOUSING WALL THINCKNESS \RD-DMI6042901S2	06-May-16	04607	HHE
H	NO CHANGE TO THIS SHEET	07-Jan-19	10141	SH

CONFIGURATION-1

RECOMMENDED PCB LAUNCH FOR OPTIMAL RF PERFORMANCE

VARIATIONS IN BOARD SUBSTRATE AND TRACE MAY REQUIRE DIFFERENT GEOMETRY



BOTTOM LAYER

TOP LAYER

UNLESS OTHERWISE SPECIFIED, DIMENSIONS ARE IN METRIC AND TOLERANCES ARE:
 <0.5mm ± 0.05mm 0.5 - 6mm ± 0.1mm 6 - 30mm ± 0.2mm 30 - 120mm ± 0.3mm ANGLES ± 1°

NOTICE - These drawings, specifications, or other data (1) are, and remain the property of Amphenol corp. (2) must be returned upon request; and (3) are confidential and not to be disclosed to any person other than those to whom they are given by Amphenol Corp. the furnishing of these drawings, specifications, or other data by Amphenol Corp., or to any other person to anyone for any purpose is not to be regarded by implication or otherwise in any manner licensing, granting rights to permitting such holder or any other person to manufacture, use or sell any product, process or design, patented or otherwise, that may in any way be related to or disclosed by said drawings, specifications, or other data.

MATERIAL	-
REFERENCE	EAR# 4028
REF: --	
CONFIGURATION LEVEL:	In Work
FINISH	

DRAWN	M. ZHANG	DATE	07-Jan-19
ENGINEER	NISCHIT MV	DATE	06-Apr-10
APPROVED	S. HSIEH	DATE	07-Jan-19
CAD FILE			

TITLE	
HD BNC RA BHD JACK PCB MOUNT	
SCALE: 6.0:1.0	SHEET 4 OF 6
DWG SIZE	REV
B	H

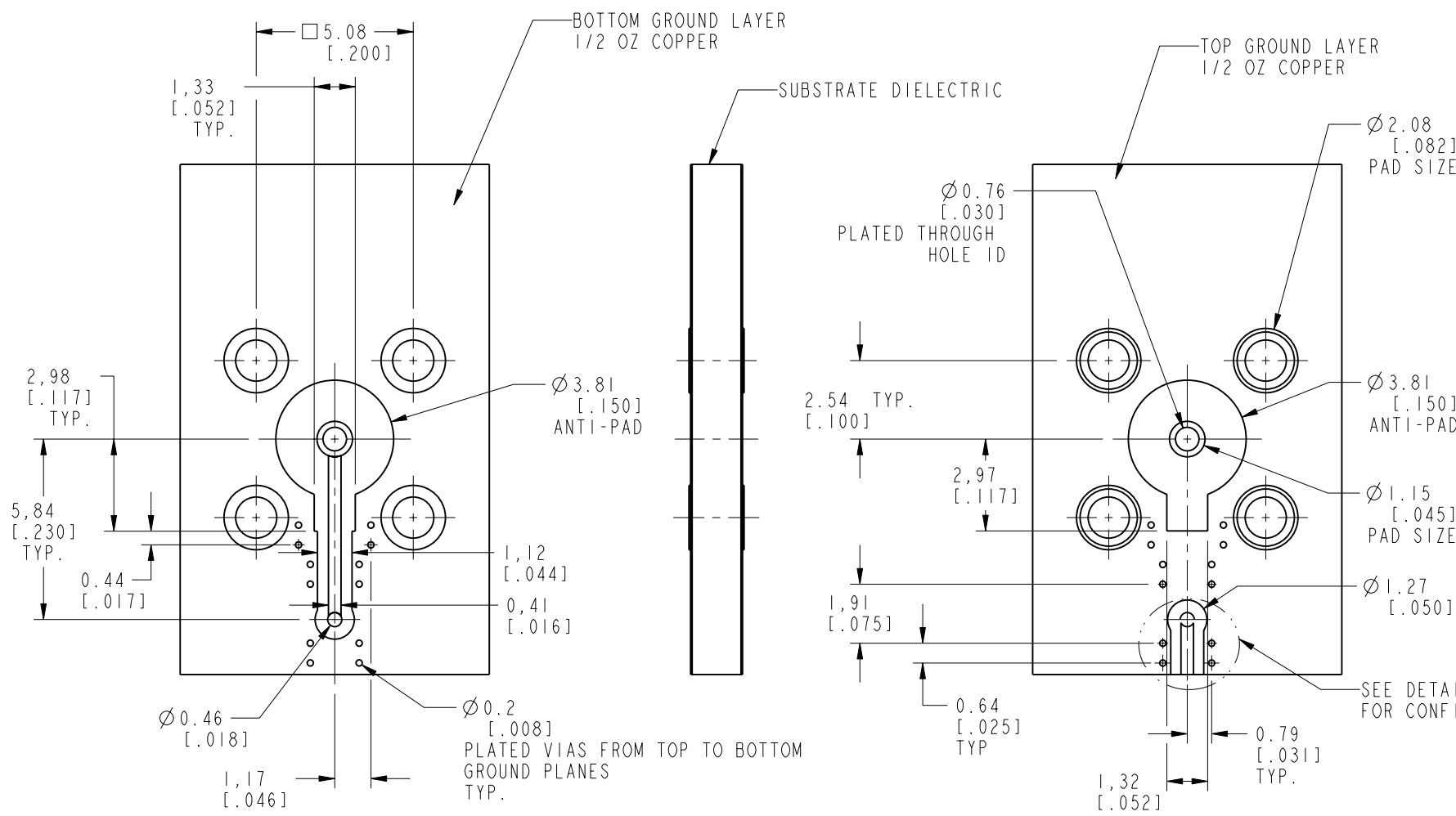
Amphenol RF	
www.amphenolrf.com	
DRAWING NO. HDB6252C1-001-NT5GP-75	
ITEM NO. 546252AAAAIUZ7F	
PART NO. 34-1030	

REV	DESCRIPTION	DATE	ECN	APPR
A	RELEASE TO MFG.	13-Oct-10	48270	PNE
B	REMOVE FORMING\RD-DMI0120201T1	09-Dec-10	48368	SH
E	UPDATE DESIGN BODY AND HOUSING, CAP WAS CHANGED	24-Oct-12	49222	DH
F	CONTACT & INSULATORS WERE CHANGED\RD-DMI6010702M	14-Jan-15	-----	MZ
G	ADJUST THE BODY & HOUSING WALL THINCKNESS \RD-DMI6042901S2	06-May-16	04607	HHE
H	NO CHANGE TO THIS SHEET	07-Jan-19	10141	SH

CONFIGURATION-2

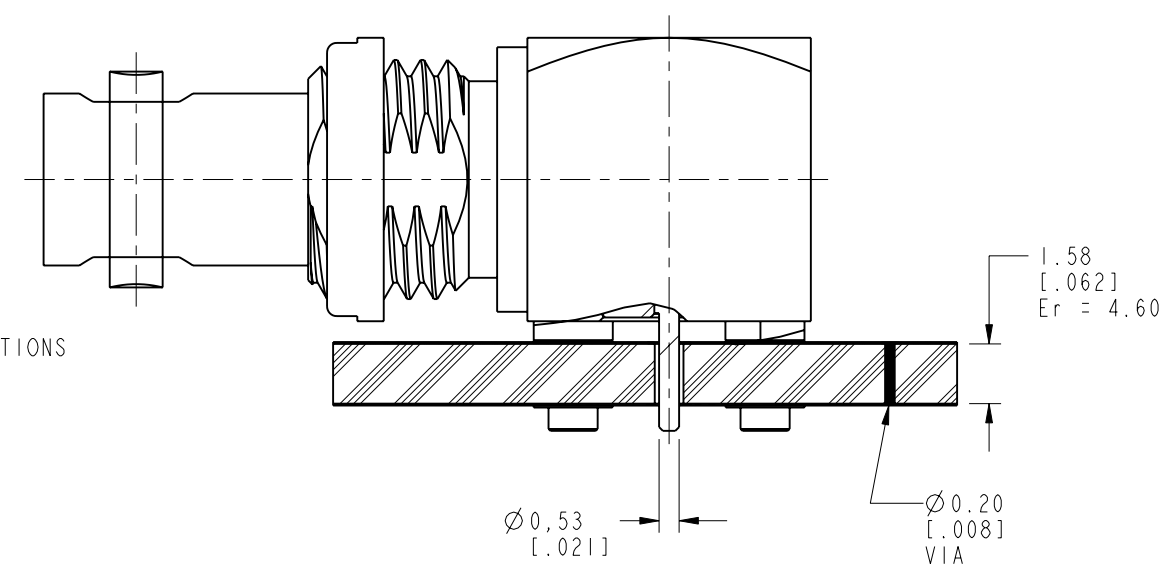
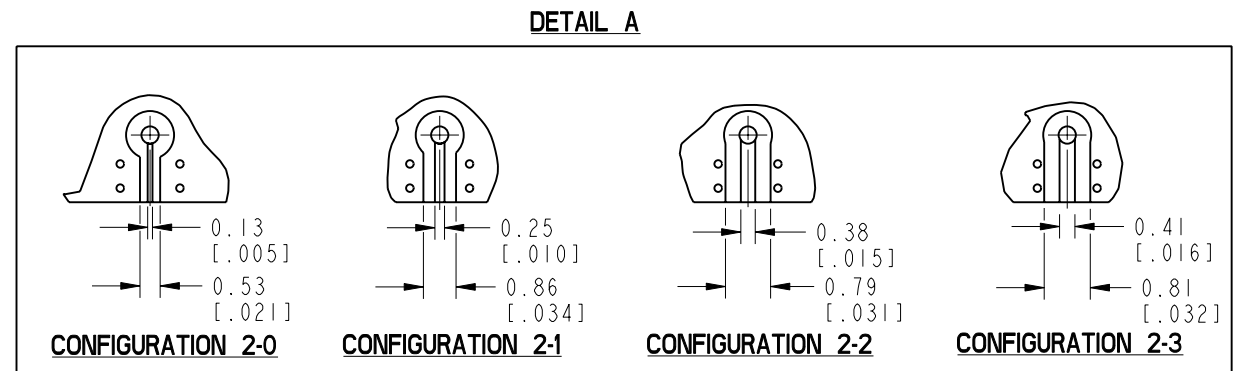
RECOMMENDED PCB LAUNCH FOR OPTIMAL RF PERFORMANCE

VARIATIONS IN BOARD SUBSTRATE AND TRACE MAY REQUIRE DIFFERENT GEOMETRY



BOTTOM LAYER

TOP LAYER



UNLESS OTHERWISE SPECIFIED, DIMENSIONS ARE IN METRIC AND TOLERANCES ARE:
 <0.5mm ± 0.05mm 0.5 - 6mm ± 0.1mm 6 - 30mm ± 0.2mm 30 - 120mm ± 0.3mm ANGLES ± 1°

NOTICE - These drawings, specifications, or other data (1) are, and remain the property of Amphenol corp. (2) must be returned upon request; and (3) are confidential and not to be disclosed to any person other than those to whom they are given by Amphenol Corp. the furnishing of these drawings, specifications, or other data by Amphenol Corp., or to any other person to anyone for any purpose is not to be regarded by implication or otherwise in any manner licensing, granting rights to permitting such holder or any other person to manufacture, use or sell any product, process or design, patented or otherwise, that may in any way be related to or disclosed by said drawings, specifications, or other data.

MATERIAL	-
REFERENCE	EAR# 4028
REF: --	
CONFIGURATION LEVEL:	In Work
FINISH	

DRAWN	M. ZHANG	DATE	07-Jan-19
ENGINEER	NISCHIT MV	DATE	06-Apr-10
APPROVED	S. HSIEH	DATE	07-Jan-19
CAD FILE			

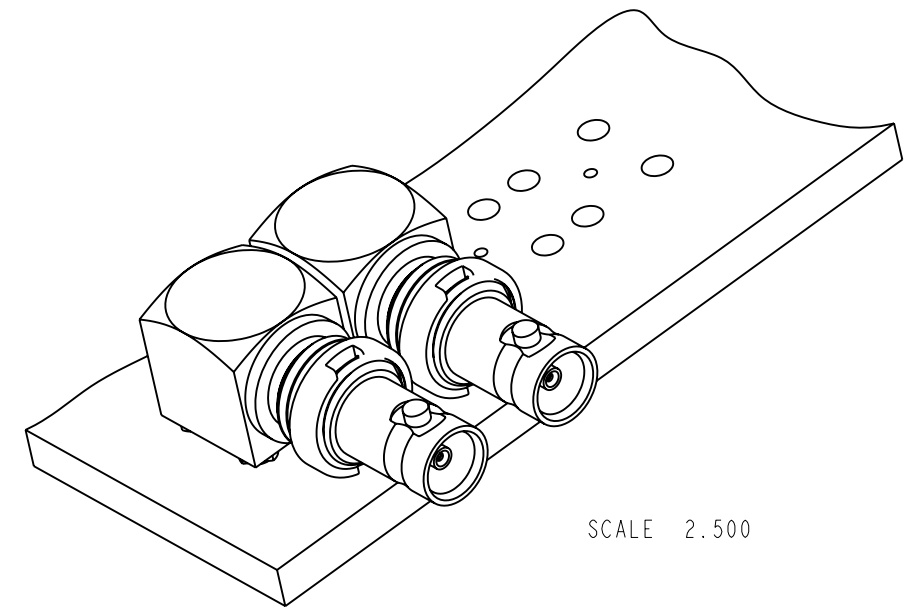
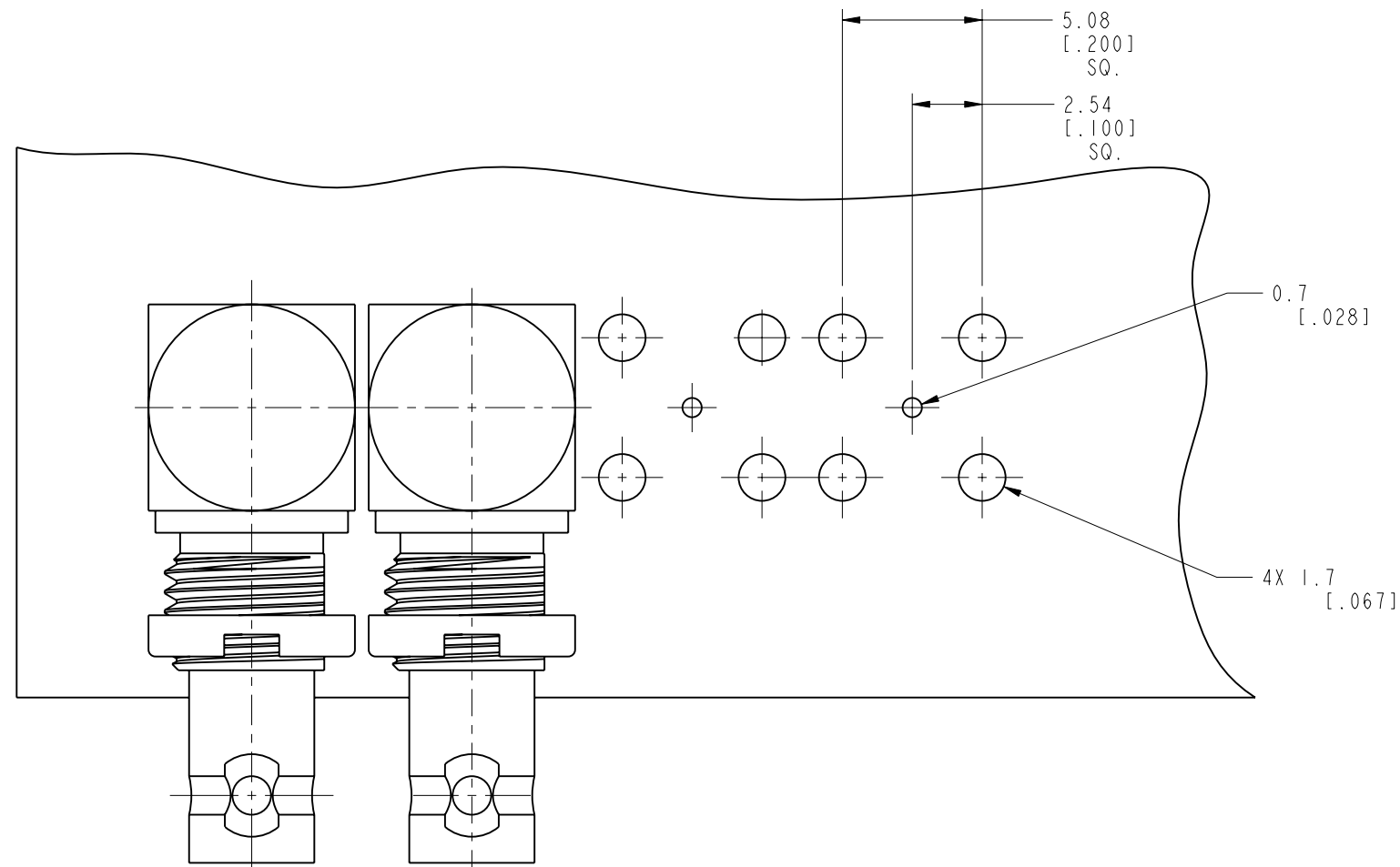
TITLE	
HD BNC RA BHD JACK PCB MOUNT	
SCALE: 5.0:1.0	SHEET 5 OF 6
DWG SIZE	REV
B	H

Amphenol RF	
www.amphenolrf.com	
DRAWING NO. HDB6252C1-001-NT5GP-75	
ITEM NO. 546252AAAAIUZ7F	
PART NO. 34-1030	

THIRD ANGLE PROJ.

REVISIONS

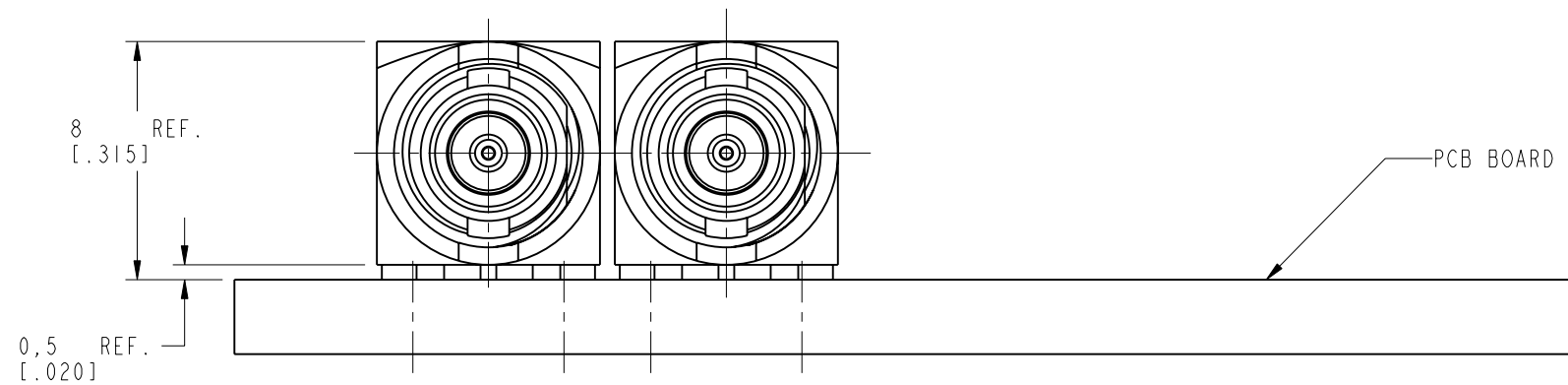
REV	DESCRIPTION	DATE	ECN	APPR
A	RELEASE TO MFG.	13-Oct-10	48270	PNE
B	REMOVE FORMING\RD-DMI0120201T1	09-Dec-10	48368	SH
E	UPDATE DESIGN BODY AND HOUSING, CAP WAS CHANGED	24-Oct-12	49222	DH
F	CONTACT & INSULATORS WERE CHANGED\RD-DMI6010702M	14-Jan-15	-----	MZ
G	ADJUST THE BODY & HOUSING WALL THINCKNESS \RD-DMI6042901S2	06-May-16	04607	HHE
H	NO CHANGE TO THIS SHEET	07-Jan-19	10141	SH



SCALE 2.500

RECOMMENDED PCB MOUNTING HOLES

CONNECTORS TO BE SPACED AT 8.00 MM MIN. PITCH.



CUSTOMER OUTLINE DRAWING
ALL OTHER SHEETS ARE FOR INTERNAL USE ONLY

UNLESS OTHERWISE SPECIFIED, DIMENSIONS ARE IN METRIC AND TOLERANCES ARE: <0.5mm ±0.05mm 0.5 - 6mm ±0.1mm 6 - 30mm ±0.2mm 30 - 120mm ±0.3mm ANGLES ±1°	MATERIAL	DRAWN	DATE	TITLE HD BNC RA BHD JACK PCB MOUNT		Amphenol RF www.amphenolrf.com	
	REFERENCE	ENGINEER	DATE				
NOTICE - These drawings, specifications, or other data (1) are, and remain the property of Amphenol corp. (2) must be returned upon request; and (3) are confidential and not to be disclosed to any person other than those to whom they are given by Amphenol Corp. the furnishing of these drawings, specifications, or other data by Amphenol Corp., or to any other person to anyone for any purpose is not to be regarded by implication or otherwise in any manner licensing, granting rights to permitting such holder or any other person to manufacture, use or sell any product, process or design, patented or otherwise, that may in any way be related to or disclosed by said drawings, specifications, or other data.	EAR# 4028	NISCHIT MV	06-Apr-10	SCALE: 4.0:1.0 SHEET 6 OF 6		DRAWING NO. HDB6252C1-001-NT5GP-75	
	REF: --	APPROVED	DATE			DWG SIZE	
	CONFIGURATION LEVEL: In Work	FINISH	S.HSIEH	07-Jan-19	B		PART NO. 34-1030

X-ON Electronics

Largest Supplier of Electrical and Electronic Components

Click to view similar products for [RF Connectors / Coaxial Connectors](#) category:

Click to view products by [Amphenol](#) manufacturer:

Other Similar products are found below :

[8915-1511-000](#) [89674-0827](#) [6001-7071-019](#) [6002-7051-003](#) [6002-7551-202](#) [6059674-1](#) [619550-1](#) [630059-000](#) [M39030/3-01N](#) [M3933/25-36N](#) [6500-7071-046](#) [6769](#) [CX050L2AQ](#) [7002-1542-011](#) [7004-1512-000](#) [7009-1511-004](#) [7010-1511-000](#) [7029-1511-060](#) [7101-1541-010](#) [7101-1571-002](#) [7105-1521-002](#) [7145-1521-002](#) [7203-1571-003](#) [7209-1511-011](#) [7210-1511-015](#) [7210-1511-019](#) [73137-5015](#) [73216-2241](#) [7325-1512-000](#) [73404-2300](#) [7405-1521-005](#) [7405-1521-802](#) [7406-1521-005](#) [8527](#) [8547](#) [FS11V](#) [8808-1511-001](#) [9049-9513-000](#) [9074-9513-000](#) [9101-9573-002](#) [910A205F](#) [9130-9573-002](#) [PL11SC-026](#) [PL375-33](#) [PL40-5](#) [PL71-9](#) [PL74C-221](#) [PL75MC-217](#) [PL803-7](#) [980-8666-005](#)