

8

7

6

5

4

3

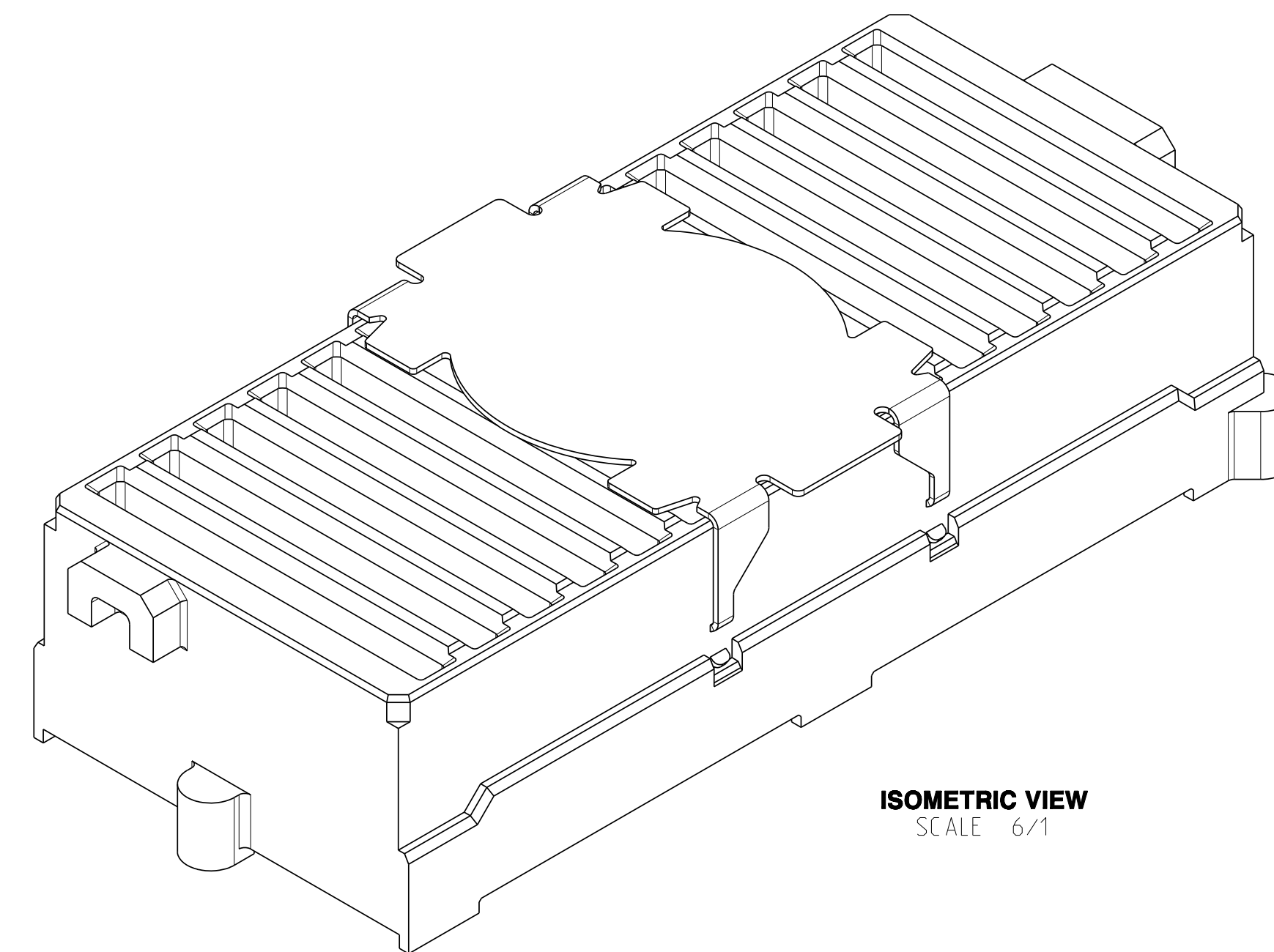
DRW NO. C-380-3336-500 SH 1 REV A

ZONE	REV	SCR NUMBER	DESCRIPTION	BY	DATE	APPROVED
ALL	A	DMAN-8W JP4Y.VER01	NEW RELEASE	D.MALOON	07/31/12	D.McNAMARA

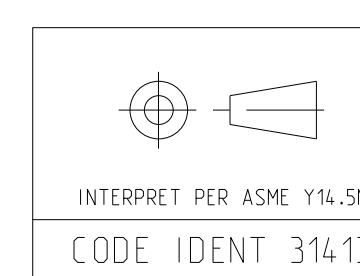
TABLE 1	
PART NUMBER ①	DESCRIPTION
380-3336-X00	RECEPTACLE ASSY, 4 PAIR, 9 MM HIGH, 15 WAFERS, 100 OHMS W/LOSSY
380-3436-X00	RECEPTACLE ASSY, 4 PAIR, 9 MM HIGH, 15 WAFERS, 85 OHMS W/LOSSY
380-3536-X00	RECEPTACLE ASSY, 4 PAIR, 9 MM HIGH, 15 WAFERS, 100 OHMS NO LOSSY
380-3636-X00	RECEPTACLE ASSY, 4 PAIR, 9 MM HIGH, 15 WAFERS, 85 OHMS NO LOSSY

NOTES:

- ① ASSEMBLY PART NUMBER VARIES WITH PLATING OPTION AS FOLLOWS:  
FOR NI SULFAMATE UNDERPLATE, 8TH DIGIT OF P/N IS 2.  
FOR NANO NI UNDERPLATE, 8TH DIGIT OF P/N IS 4.
- ② MAT'L:  
HOUSING/WAFERS - LCP.  
VACUUM CAP - SST.  
CONTACTS - HIGH PERFORMANCE COPPER ALLOY, PER MTS-506.
- ③ 0.71 DIA SOLDER SPHERES WILL NOT BE PERFECTLY SPHERICAL AFTER REFLOW ATTACHMENT.
- ④ HOLES RECOMMENDED FOR VISUAL INSPECTION OF CONNECTOR ALIGNMENT AFTER PLACEMENT AND BEFORE REFLOW.
- ⑤ SOLDER BALL PROTRUSION BELOW HOUSING.
- ⑥ SEE TECHNICAL BULLETIN TB-2241 FOR DETAILED SMT PROCESSING AND PCB FOOT PRINT RECOMMENDATIONS.
- ⑦ MAXIMUM CO-PLANARITY OF THE BALL FIELD.
- ⑧ MAXIMUM RADIAL TRUE POSITION OF ANY SOLDER BALL IN RELATION TO AN IDEAL BEST FIT GRID.
- ⑨ TOLERANCES DO NOT APPLY TO REFERENCE DIMENSIONS SHOWN IN "()" OR BASIC DIMENSIONS SHOWN IN "□".
- ⑩ REFER TO FILE 380-3X36-XX0.STP FOR SIMPLIFIED 3D MODEL OF ASSEMBLY.



TOLERANCES	DESIGN 09/10/10	REV	DATE	TITLE
0.0	±0.25	D.MALOON		<b>Amphenol TCS</b> A Division of Amphenol Corporation 200 Innovative Way, Nashua, NH 03062 603.879.3000 RECEPTACLE ASSEMBLY, 15 WAFERS InfinX 4 PAIR, 9 MM HIGH
0.00	±0.13	D.MALOON		
0.000	± -	D.McNAMARA	07/31/12	
ANGLES	± 3°	D.McNAMARA	07/31/12	
UNLESS OTHERWISE SPECIFIED DIMENSIONS ARE IN MM. DECIMAL MARKER IS A PERIOD				
SEE TABLE 1		REV	N/A	
DRAWING NO. C-380-3336-500		REV	A	
PART 01155-RECEP-ASSY-4X09X15-VC		REV	1.10	
DRAWING C-380-3336-500		REV	A.0	
SIZE D	SCALE 5/1	SHEET 1 OF 4		



CUSTOMER USE DRAWING

DRW NO. C-380-3336-500

SH 1 REV A

8

7

6

5

4

3

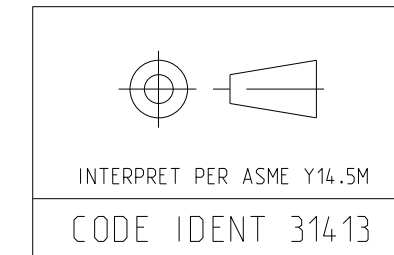
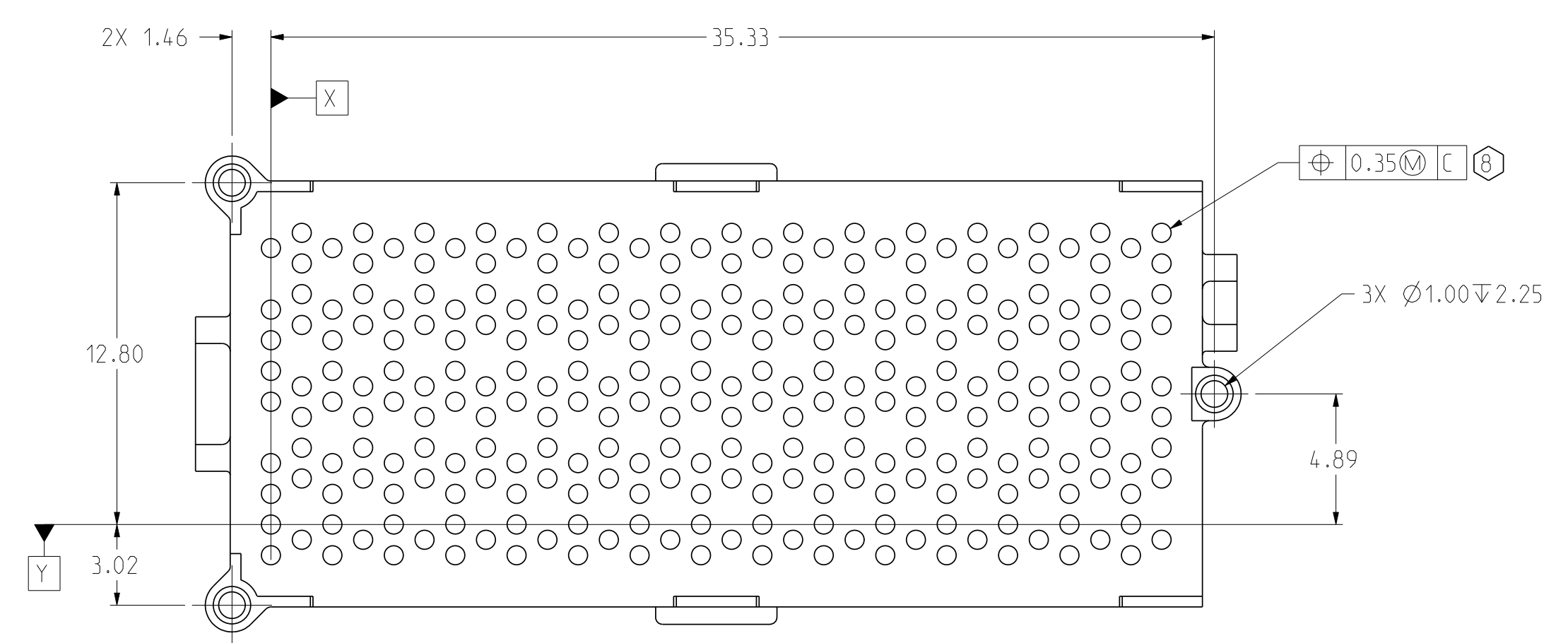
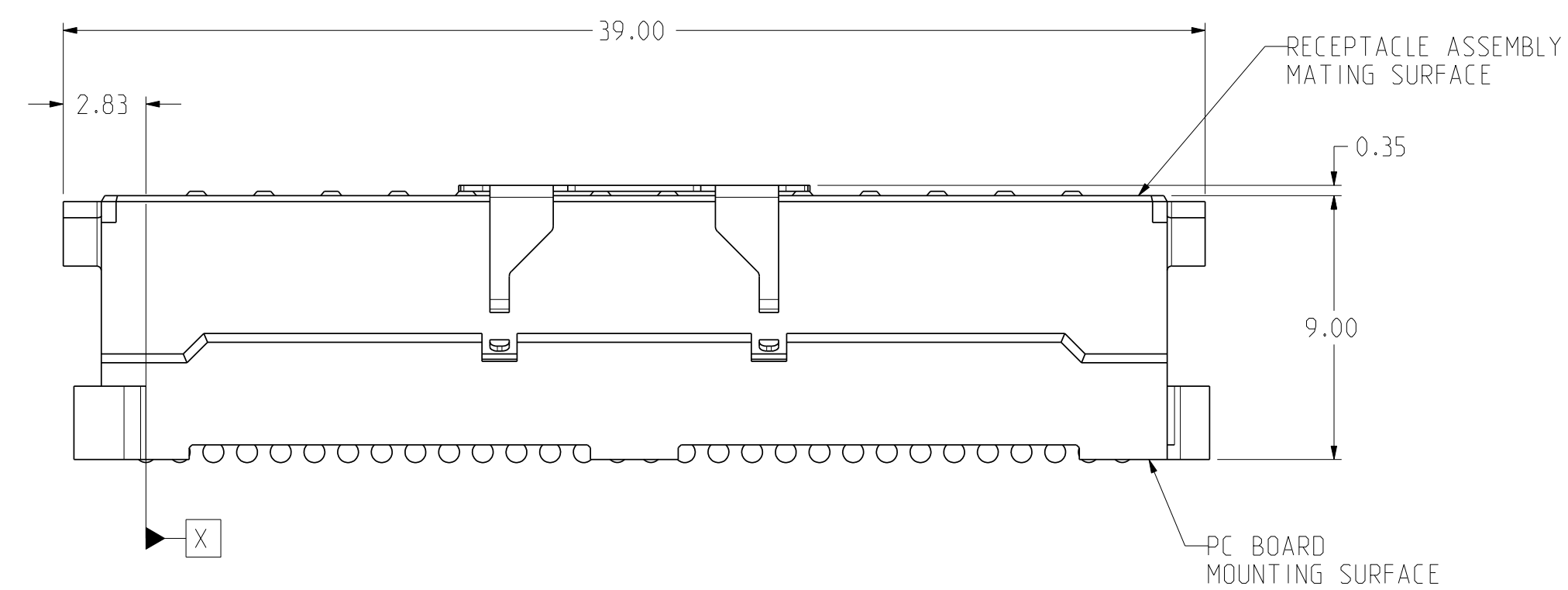
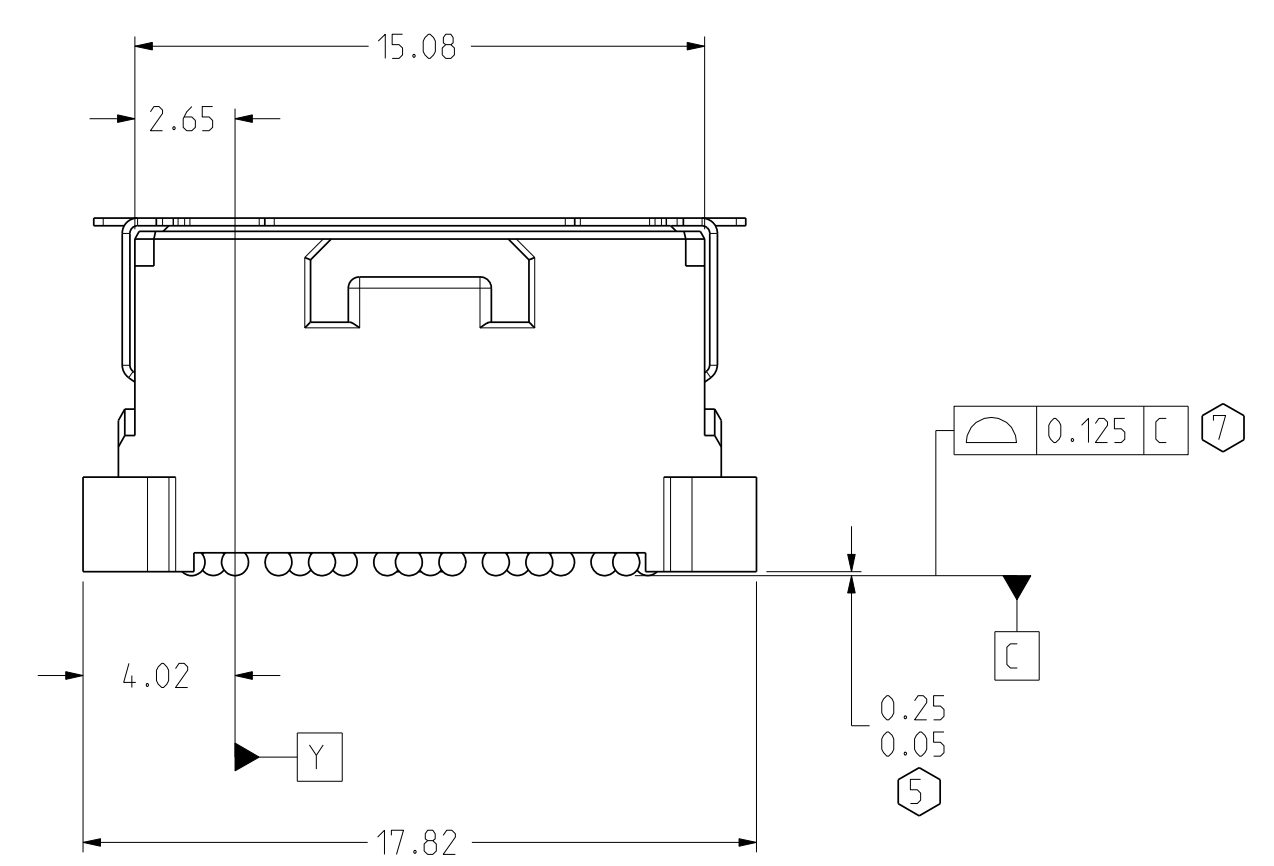
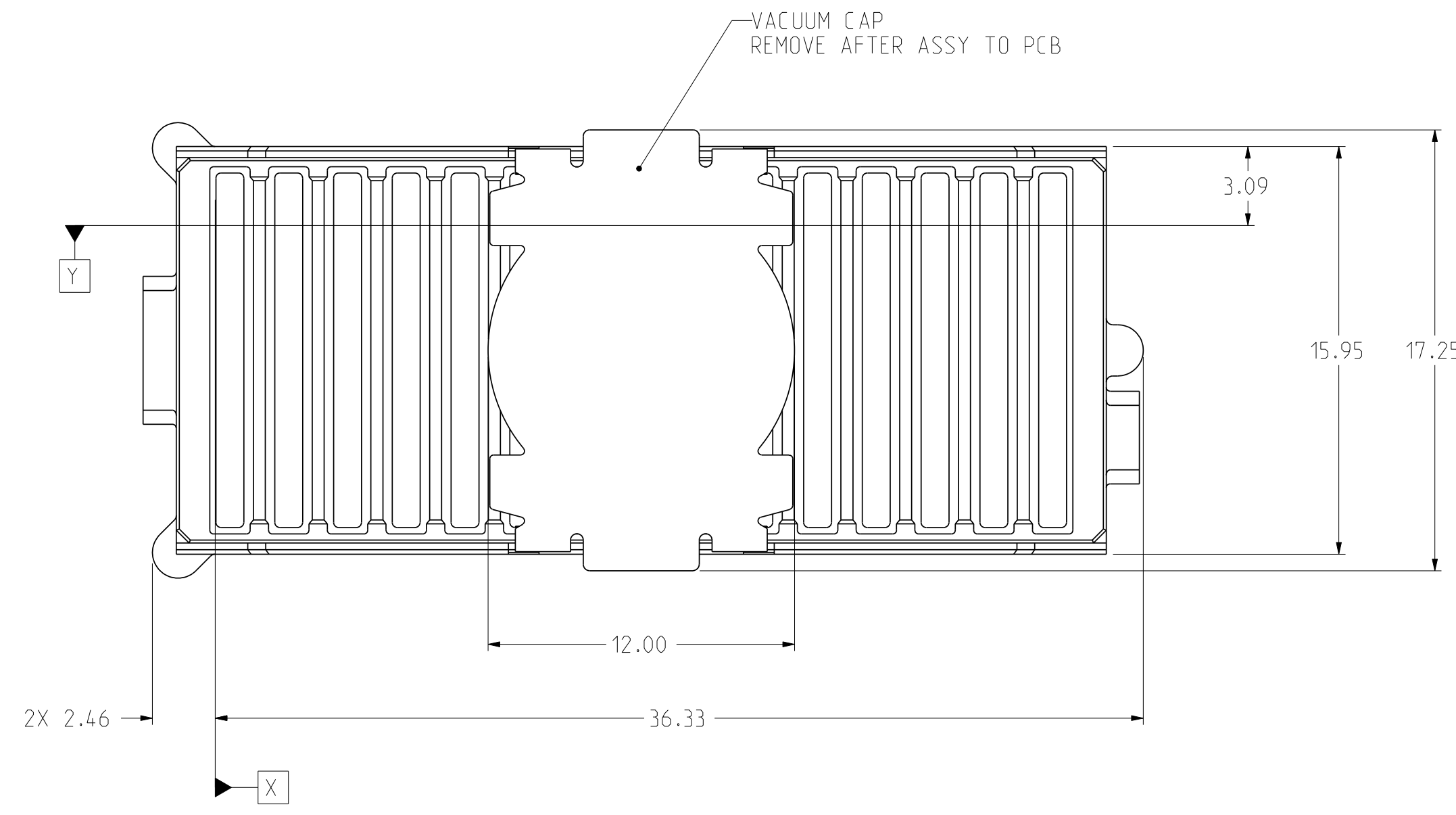
2

1

8 7 6 5 4 3

DRW NO. C-380-3336-500 SH 2 REV A

ZONE	REV	SCR NUMBER	DESCRIPTION	BY	DATE	APPROVED
			SEE SHEET1			



TOLERANCES		DESIGN 09/10/10 D.MALOON	<b>Amphenol TCS</b> A Division of Amphenol Corporation 200 Innovative Way, Nashua, NH 03062 603.879.3000	
0.0	±0.25	DRAWN 06/23/11 D.MALOON	TITLE RECEPTACLE ASSEMBLY, 15 WAFERS InfinX 4 PAIR, 9 MM HIGH	
0.00	±0.13	EHK 07/31/12 D.McNAMARA		
0.000	± -	APVD 07/31/12 D.McNAMARA		
ANGLES	± 3°			
UNLESS OTHERWISE SPECIFIED DIMENSIONS ARE IN MM. DECIMAL MARKER IS A PERIOD			PART NO. SEE TABLE 1	REV N/A
CUSTOMER USE DRAWING			DRAWING NO. C-380-3336-500	REV A
			PART 01155-RECEP-ASSY-4X09X15-VC DRAWING C-380-3336-500	
SIZE D	SCALE 5/1	SHEET 2 OF 4		

8 7 6 5 4 3

DRW NO. C-380-3336-500

SH 2 REV A

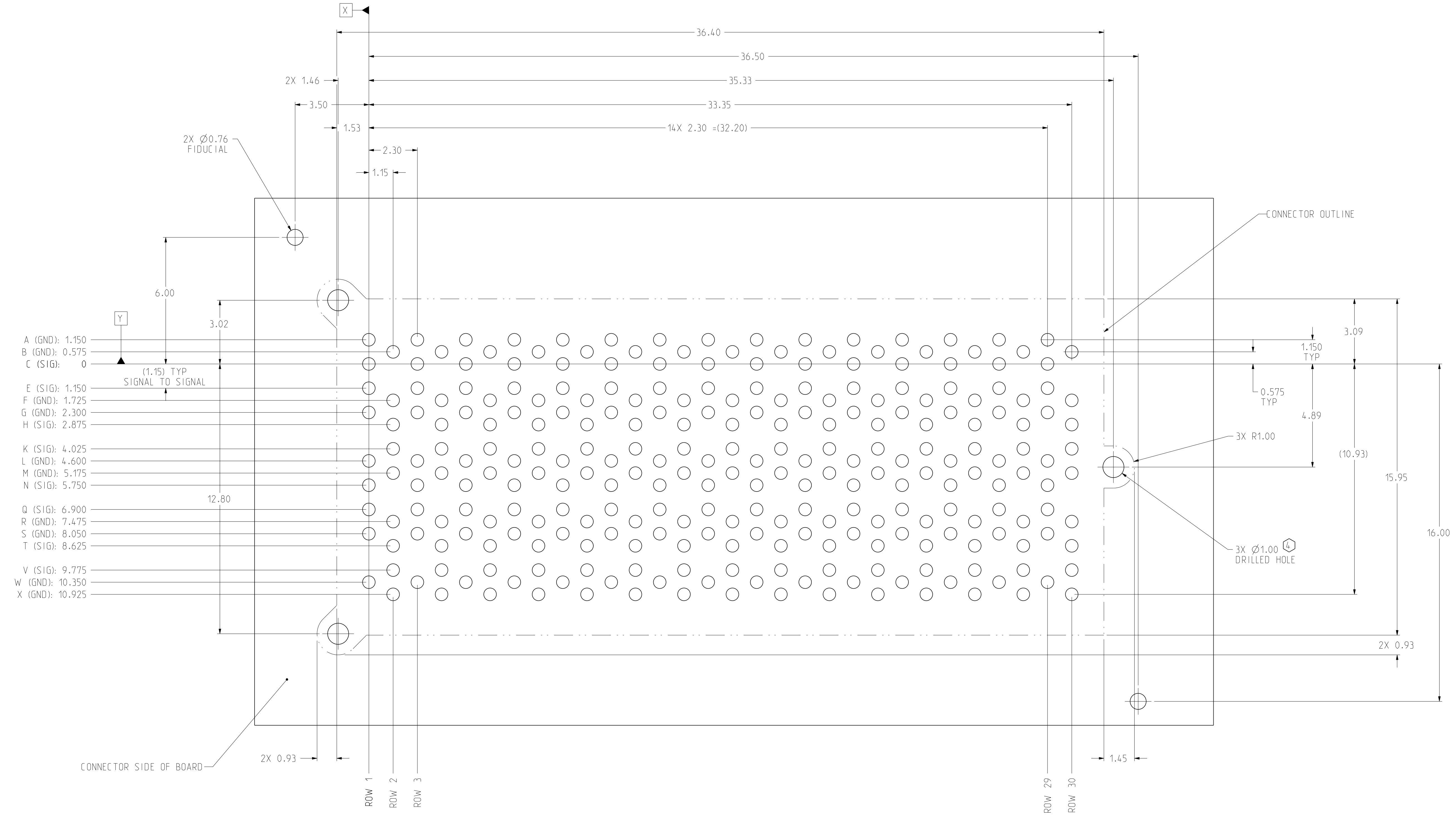
2 1

ZONE		REV	SCR NUMBER	DESCRIPTION	BY	DATE	APPROVED
				SEE SHEET 1			

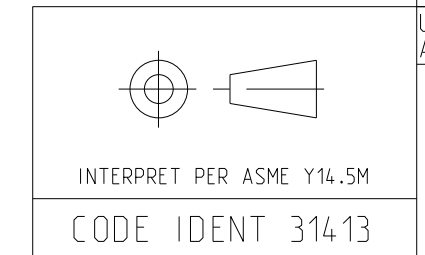
DRW NO. C-380-3336-500 SH 3 REV A

D  
C  
B  
A

D  
C  
B  
A



**PAD LAYOUT**  
SCALE 10/1



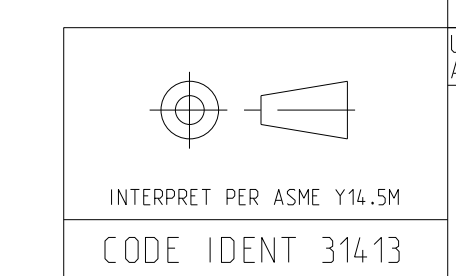
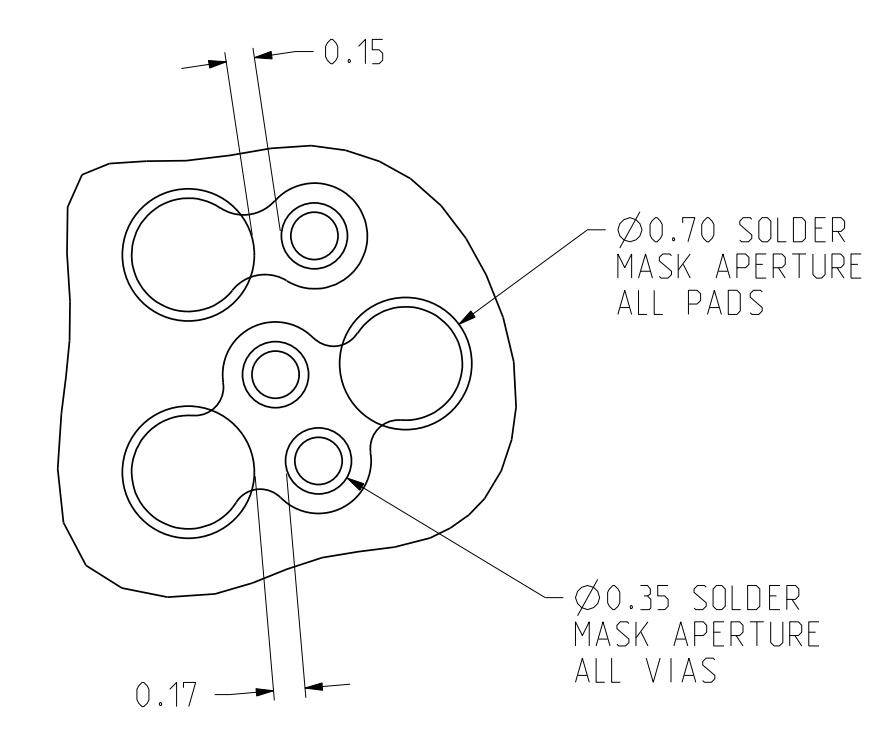
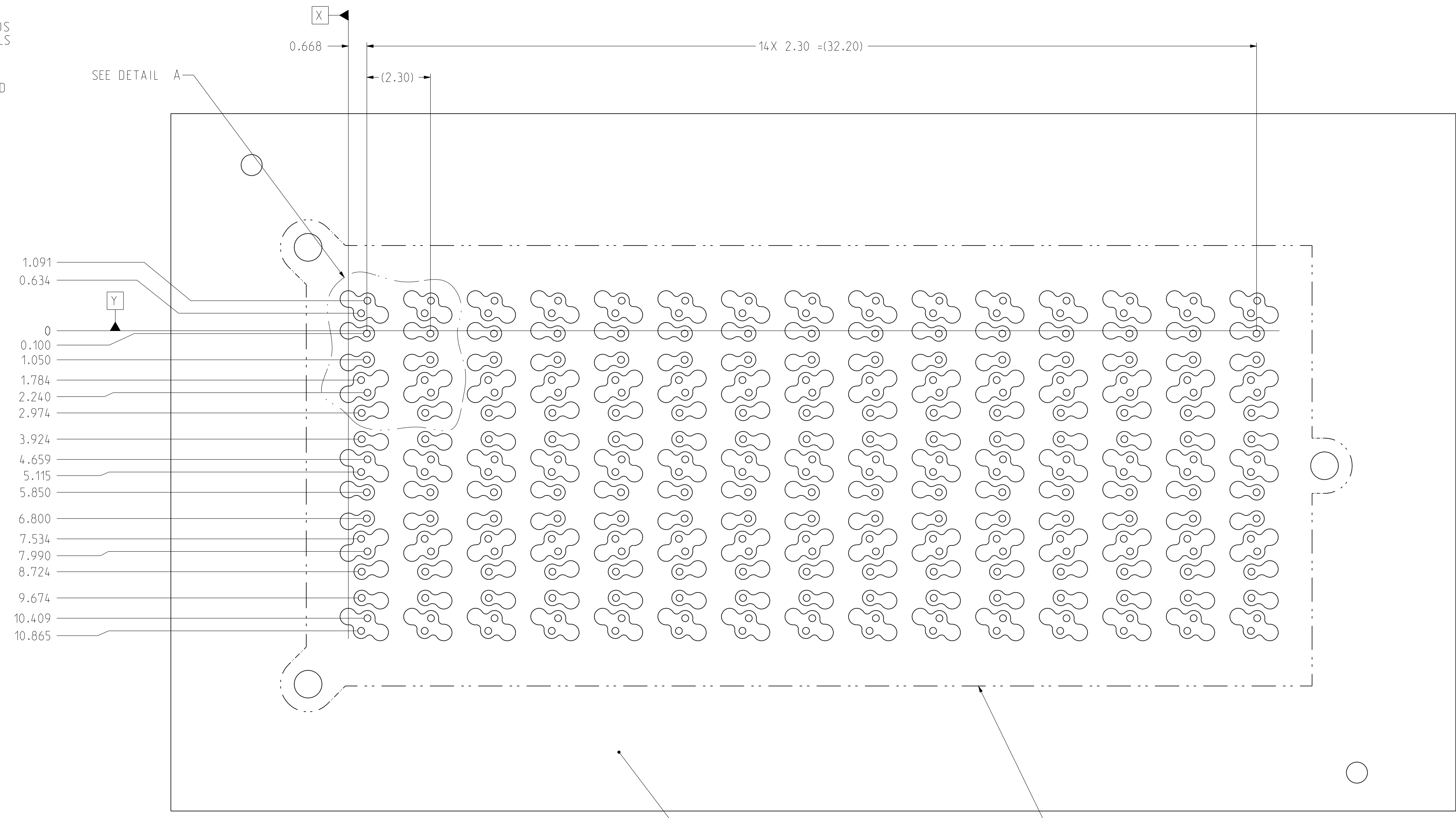
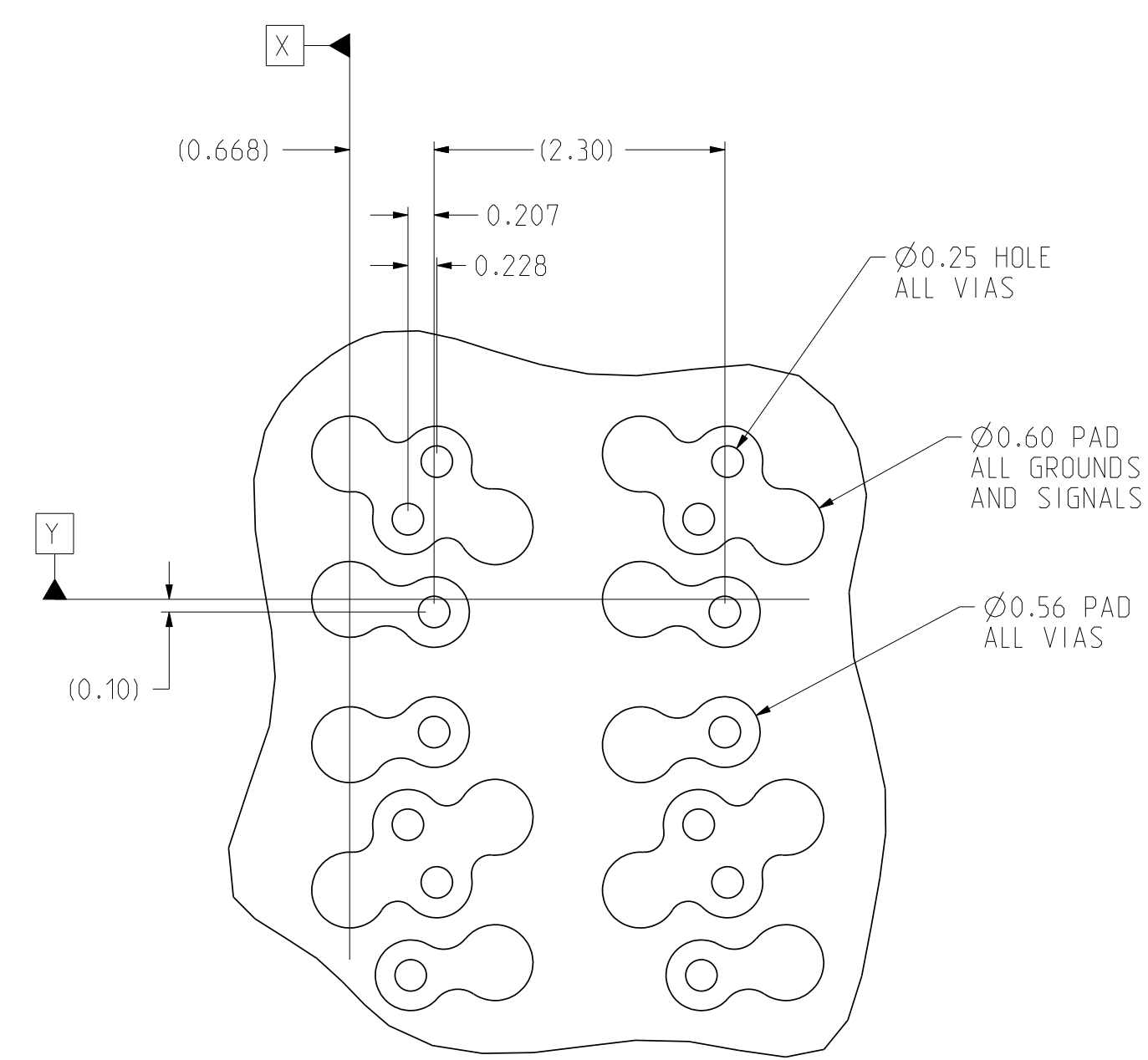
TOLERANCES	DESIGN 09/10/10 D.MALOON	<b>Amphenol TCS</b> A Division of Amphenol Corporation 200 Innovative Way, Nashua, NH 03062 603.879.3000 TITLE RECEPTACLE ASSEMBLY, 15 WAFERS Infinix 4 PAIR, 9 MM HIGH PART NO. SEE TABLE 1 REV N/A
0.0 ±0.25	DRAWN 06/23/11 D.MALOON	
0.00 ±0.13	EHK 07/31/12 D.McNAMARA	
0.000 ± -	APVD 07/31/12 D.McNAMARA	
ANGLES ± 3°		
UNLESS OTHERWISE SPECIFIED DIMENSIONS ARE IN MM. DECIMAL MARKER IS A PERIOD		DRAWING NO. C-380-3336-500 PART 01155-RECEP-ASSY-4X09X15-VC DRAWING C-380-3336-500 SIZE D SCALE 4/1 SHEET 3 OF 4

CUSTOMER USE  
DRAWING

DRW NO. C-380-3336-500

SH 3  
REV A

ZONE	REV	SCR NUMBER	DESCRIPTION	BY	DATE	APPROVED
			SEE SHEET 1			



TOLERANCES		DESIGN 09/10/10 D.MALOON	<b>Amphenol TCS</b> A Division of Amphenol Corporation 200 Innovative Way, Nashua, NH 03062 603.879.3000	
0.0	±0.25	DRAWN 06/23/11 D.MALOON	<b>TITLE</b> RECEPTACLE ASSEMBLY, 15 WAFERS InfinX 4 PAIR, 9 MM HIGH  <b>PART NO.</b> SEE TABLE 1 <b>REV</b> N/A	
0.00	±0.13	EHK 07/31/12 D.McNAMARA		
0.000	± -	APVD 07/31/12 D.McNAMARA		
ANGLES	± 3°			
UNLESS OTHERWISE SPECIFIED DIMENSIONS ARE IN MM. DECIMAL MARKER IS A PERIOD			<b>DRAWING NO.</b> C-380-3336-500	<b>REV</b> A
CUSTOMER USE DRAWING			<b>PART 01155-RECEP-ASSY-4X09X15-VC</b> DRAWING C-380-3336-500	<b>REV</b> A.0
SIZE	D	SCALE 4/1	SHEET 4 OF 4	

DRW NO. C-380-3336-500

SH 4 REV A

## X-ON Electronics

Largest Supplier of Electrical and Electronic Components

*Click to view similar products for [Board to Board & Mezzanine Connectors](#) category:*

*Click to view products by [Amphenol](#) manufacturer:*

Other Similar products are found below :

[589158040000018](#) [MDF7C-18P-2.54DSA\(55\)](#) [FCN-230C068-11](#) [FCN-268F012-G/BD](#) [FCN-268F036-G/BD](#) [FCN-268M012-G/0D](#) [FCN-268M024-G/1D](#) [FCN-723J004/1](#) [MIS-048-01-F-D-DP-K](#) [832-10-034-10-001000](#) [FX4C-80S-1.27DSA](#) [FCN-214Q030-G/0](#) [FCN-234P048-G/0](#) [FCN-235D050-G/C](#) [210-93-314-41-105000](#) [2-22603-0](#) [MDF7-40DP-2.54DSA\(55\)](#) [AXG720047](#) [MIT-114-03-F-D-K](#) [55323-1519](#) [DF33-2P-3.3DSA\(24\)](#) [YFT-20-05-H-03-SB-K](#) [503308-3040](#) [026-6203-PDB](#) [027-6203-PDB](#) [069159702701000](#) [10123981-102LF](#) [101A10019X](#) [55650-0588-C](#) [68682-310LF](#) [68684-306](#) [75140-7012](#) [87471-650](#) [YTW-30-07-H-Q-410-140](#) [FCN-268F024-G0D](#) [10124054-515LF](#) [68685-603](#) [8-1616154-3](#) [MIS-019-01-F-D](#) [FCN-268M024-G/3D](#) [FCN-268M036-G/BD](#) [20021832-06016C1LF](#) [KX15-20KLDL-E1000E](#) [AXE810124](#) [FCN-214J100-G/0](#) [FCN-230C068-E/S](#) [AXE812124](#) [AXE816124](#) [AXE720127](#) [354184](#)