

NOTES:

1. MATERIALS AND FINISHES(IN MICRO-INCHES):

- BODY = ZINC ALLOY DIECAST, MATTE TIN PLATED
- CONTACT = BERYLLIUM COPPER, GOLD PLATED
- CAP = BRASS, NICKEL PLATING
- INSULATOR = PTFE, COLOR: NATURAL
- O-RING = HYDROGENATED NITRILE, COLOR: GREEN (CAP)
- O-RING = SILICNE RUBBER, COLOR: RED (INTERFACE)
- HOUSING = PPE+PS, UNFILLED, COLOR & KEYING PER AMPHENOL SPEC. FAKRA-KEY-JACK (REFER TO TABLE BELOW FOR KEY CODE)
- FERRULE = COPPER, NICKEL PLATED
- HST = POLYOLEFIN, ADHESIVE-LINED

2. ELECTRICAL:

- A. IMPEDANCE: 50 OHM (NOMINAL)
- B. FREQUENCY RANGE: DC - 3.0 GHz
- C. VSWR(RETURN LOSS): 1.200 (-20.8 dB), MAX.(DC-200 MHz) (MATED PAIR)
1.400 (-15.6 dB), MAX.(200 MHz-2.0 GHz)
1.500 (-13.9 dB), MAX.(2.0-3.0 GHz)
- D. D.W.V.: 800 VRMS, MIN.

3. MECHANICAL:

- A. DURABILITY: 100 CYCLES MIN.
- B. TEMPERATURE RANGE: -40° C TO 85° C
- C. ENVIRONMENTAL SEAL: IP67 (WHEN MATED)

4. PACKAGING:

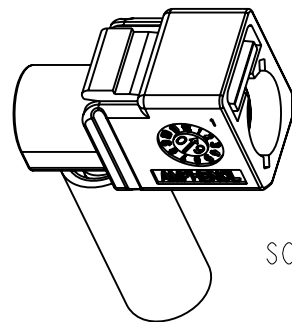
- A. QUANTITY: TRAY PACK
- B. MARKING: TRAY TO BE MARKED "AMPHENOL RF, 3FAIENXRJ-COIER (PER TABLE), AND DATE CODE"

5. CRIMPED FERRULE HEX CRIMP SIZE .128" CONTACT PIN TO SOLDER

6. ALL DIMENSIONS MECHANICAL & ELECTRICAL DESIGN COMPLY WITH DIN 72594-1 AND USCAR-18 SPEC.

7. CABLE ASSEMBLY INSTRUCTIONS PER 349-50883

| CODING | DRAWING NO. | COLOR | RAL NO. |
|--------|-----------------|----------------|---------|
| A | 3FAIENARJ-COIER | JET BLACK | 9005 |
| B | 3FAIENBRJ-COIER | CREAM WHITE | 9001 |
| C | 3FAIENCRJ-COIER | SIGNAL BLUE | 5005 |
| D | 3FAIENDRJ-COIER | CLARET VIOLET | 4004 |
| E | 3FAIENFRJ-COIER | LEAF GREEN | 6002 |
| F | 3FAIENFRJ-COIER | NUT BROWN | 8011 |
| G | 3FAIENGRJ-COIER | BLUE GREY | 7031 |
| H | 3FAIENHRJ-COIER | HEATHER VIOLET | 4003 |
| I | 3FAIENIRJ-COIER | BEIGE | 1001 |
| K | 3FAIENKRJ-COIER | CURRY | 1027 |
| L | 3FAIENLRJ-COIER | CARMINE RED | 3002 |
| M | 3FAIENMRJ-COIER | PASTEL ORANGE | 2003 |
| N | 3FAIENNRJ-COIER | PASTEL GREEN | 6019 |
| Z | 3FAIENZRJ-COIER | WATER BLUE | 5021 |



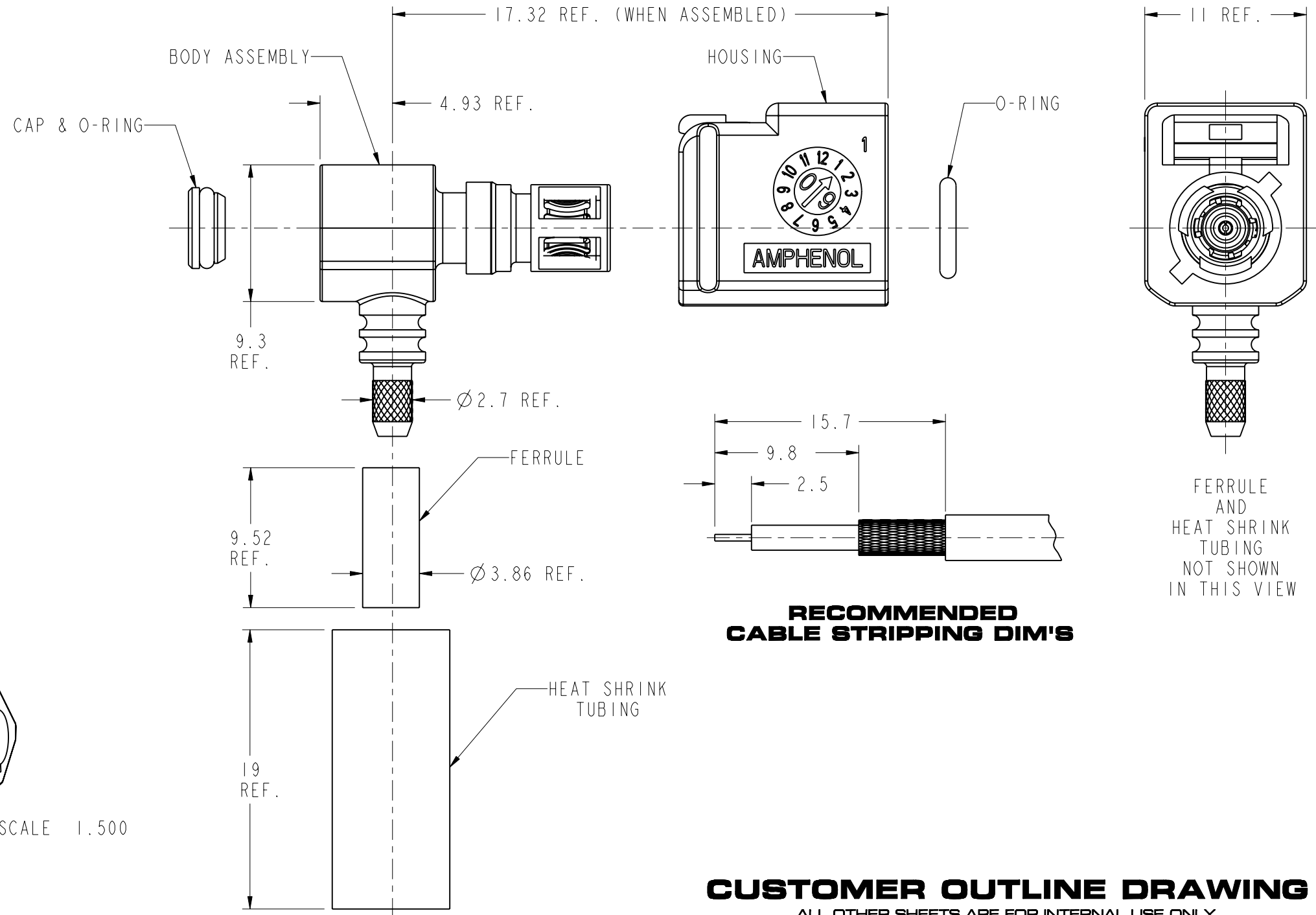
SCALE 1.500

THIRD ANGLE PROJ.

REVISIONS

| REV | DESCRIPTION | DATE | ECO | APPR |
|-----|----------------|----------|------|------|
| A | RELEASE TO MFG | 12/19/16 | 3122 | RD |

CONFIGURATION CONTROL:
NO CHANGES PERMITTED TO DRAWING WITHOUT PPAP QUALIFIED CUSTOMER APPROVAL



CUSTOMER OUTLINE DRAWING

ALL OTHER SHEETS ARE FOR INTERNAL USE ONLY

UNLESS OTHERWISE SPECIFIED, DIMENSIONS ARE IN METRIC AND TOLERANCES ARE:
 <0.5mm ±0.05mm 0.5 - 6mm ±0.1mm 6 - 30mm ±0.2mm 30 - 120mm ±0.3mm ANGLES ±1°

NOTICE - These drawings, specifications, or other data (1) are, and remain the property of Amphenol corp. (2) must be returned upon request; and (3) are confidential and not to be disclosed to any person other than those to whom they are given by Amphenol Corp. the furnishing of these drawings, specifications, or other data by Amphenol Corp., or to any other person to anyone for any purpose is not to be regarded by implication or otherwise in any manner licensing, granting rights to permitting such holder or any other person to manufacture, use or sell any product, process or design, patented or otherwise, that may in any way be related to or disclosed by said drawings, specifications, or other data.

| | | | | |
|-----------------------------|-----------------------|-------------------|--|---|
| MATERIAL | DRAWN E WANKOFF | DATE 10/4/16 | TITLE FAKRA R/A JACK, GEN 3.5, CABLE GROUP C01, IP67 SEALED | <p style="text-align: center;">Amphenol RF</p> Danbury CT USA, Tainan, Taiwan, Shenzhen, China www.amphenolrf.com |
| REFERENCE EAR # 6049 AND | ENGINEER E WANKOFF | DATE 10/4/16 | SCALE: 3.0:1.0 SHEET 2 OF 2 | |
| CONFIGURATION LEVEL: | APPROVED S.HSIEH | DATE 21-Mar-17 | DWG SIZE B | |
| FINISH | CAD FILE | | REV A | |
| | | | | DRAWING NO. 3FAIENXRJ-COIER |
| | | | | ITEM NO. 3FAIENXRJ-COIER |
| | | | | PART NO. 3FAIENXRJ-COIER |

X-ON Electronics

Largest Supplier of Electrical and Electronic Components

Click to view similar products for [RF Connectors / Coaxial Connectors](#) category:

Click to view products by [Amphenol](#) manufacturer:

Other Similar products are found below :

[8915-1511-000](#) [89674-0827](#) [6001-7071-019](#) [6002-7051-003](#) [6002-7551-202](#) [6059674-1](#) [619550-1](#) [630059-000](#) [M39030/3-01N](#) [M3933/25-36N](#) [6500-7071-046](#) [6769](#) [CX050L2AQ](#) [7002-1542-011](#) [7004-1512-000](#) [7009-1511-004](#) [7010-1511-000](#) [7029-1511-060](#) [7101-1541-010](#) [7101-1571-002](#) [7105-1521-002](#) [7145-1521-002](#) [7203-1571-003](#) [7209-1511-011](#) [7210-1511-015](#) [7210-1511-019](#) [73137-5015](#) [73216-2241](#) [7325-1512-000](#) [73404-2300](#) [7405-1521-005](#) [7405-1521-802](#) [7406-1521-005](#) [8527](#) [8547](#) [FS11V](#) [8808-1511-001](#) [9049-9513-000](#) [9074-9513-000](#) [9101-9573-002](#) [910A205F](#) [9130-9573-002](#) [PL11SC-026](#) [PL375-33](#) [PL40-5](#) [PL71-9](#) [PL74C-221](#) [PL75MC-217](#) [PL803-7](#) [980-8666-005](#)