

NOTES:

1. MATERIALS AND FINISH (IN MICRO-INCHES)

- BODY = ZINC DIECAST (PER ASTM B86)
MATTE TIN PL. 100 MIN. THICK OVER NICKEL PL. 100 MIN. THICK OVER COPPER PL. (250 MIN./300 MAX.) THICK
- INSULATOR = PTFE PER ASTM D1710, COLOR: NATURAL
- HOUSING = PPE+PS, COLOR: PER TABLE
- FERRULE = COPPER (PER ASTM B75)
NICKEL PL. 100 MIN. THICK OVER COPPER STRIKE
- O-RING = HYDROGENATED NITRILE, COLOR: GREEN
- SHRINK TUBING = POLYOLEFIN, ADHESIVE LINED, COLOR: BLACK

CONTACT SUPPLIED SEPARATELY AS P/N: FKCP03301A (5,000 PCS. REEL)
CABLE DEFINITIONS PER AMPHENOL REPORT DE825

2. ELECTRICAL:

- A. IMPEDANCE: 50 OHM, NOMINAL
- B. FREQUENCY RANGE: DC-3.0 GHz
- C. VSWR(RETURN LOSS): 1.400 (-15.6dB) MAX.(DC-2.0 GHz)
(MATED PAIR) 1.500 (-13.9dB) MAX.(2.0-3.0 GHz)
- D. DIELECTRIC WITHSTANDING VOLTAGE: 800 VRMS, MIN.

3. MECHANICAL:

- A. DURABILITY: 100 CYCLES MIN.
- B. TEMPERATURE RANGE: -40° C TO 85° C
- C. USCAR-17 COMPLIANT
- D. INTERFACE PER DIN 72594-1
- E. ENVIRONMENTAL SEAL (WHEN MATED): GMW3191

4. PACKAGING:

- A. QUANTITY: TRAY PACK
- B. MARKING: TRAY TO BE MARKED
"AMPHENOL, 3FAI-NXSJ-C01E0, AND DATE CODE"

5. CABLE ASSEMBLY INSTRUCTIONS PER 349-50832

CODING	DRAWING NO.	COLOR	RAL NO.
A	3FAI-NASJ-C01E0	JET BLACK	9005
B	3FAI-NBSJ-C01E0	CREAM	9001
C	3FAI-NCSJ-C01E0	SIGNAL BLUE	5005
D	3FAI-NDSJ-C01E0	CLARET VIOLET	4004
E	3FAI-NESJ-C01E0	LEAF GREEN	6002
F	3FAI-NFSJ-C01E0	NUT BROWN	8011
G	3FAI-NGSJ-C01E0	BLUE GREY	7031
H	3FAI-NHSJ-C01E0	HEATHER VIOLET	4003
I	3FAI-NISJ-C01E0	BEIGE	1001
K	3FAI-NKSJ-C01E0	CURRY	1027
L	3FAI-NLSJ-C01E0	CARMINE RED	3002
M	3FAI-NMSJ-C01E0	PASTEL ORANGE	2003
N	3FAI-NNSJ-C01E0	PASTEL GREEN	6019
Z	3FAI-NZSJ-C01E0	WATER BLUE	5021

UNLESS OTHERWISE SPECIFIED, DIMENSIONS ARE IN METRIC AND TOLERANCES ARE:
 <0.5mm ±0.05mm 0.5 - 6mm ±0.1mm 6 - 30mm ±0.2mm 30 - 120mm ±0.3mm ANGLES ±1°

NOTICE - These drawings, specifications, or other data (1) are, and remain the property of Amphenol corp. (2) must be returned upon request; and (3) are confidential and not to be disclosed to any person other than those to whom they are given by Amphenol Corp. the finishing of these drawings, specifications, or other data by Amphenol Corp., or to any other person to anyone for any purpose is not to be regarded by implication or otherwise in any manner licensing, granting rights to permitting such holder or any other person to manufacture, use or sell any product, process or design, patented or otherwise, that may in any way be related to or disclosed by said drawings, specifications, or other data.

MATERIAL	
REFERENCE	EAR # 6106 AND
CONFIGURATION LEVEL:	RELEASE
FINISH	

DRAWN	K.LIAO	DATE	14-Aug-14
ENGINEER	J.YANG	DATE	14-Aug-14
APPROVED	S.HSIEH	DATE	14-Aug-14
CAD FILE			

TITLE	
GEN 3.0 FAKRA JACK, W/ CP, C01 CABLE GROUP, GMW3191 TAPE AND REEL CONTACT (SUPPLIED SEPARATELY)	
SCALE: 3.0:1.0	SHEET 2 OF 2
DWG SIZE B	REV A

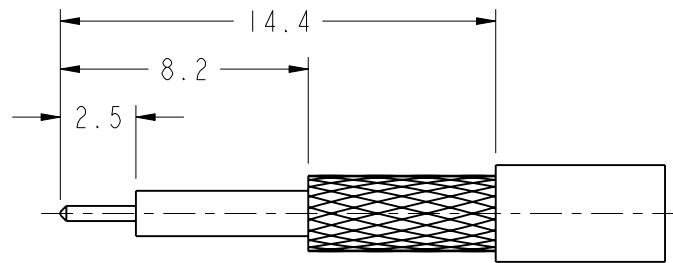
Amphenol RF	
Danbury CT USA, Tainan, Taiwan, Shenzhen, China www.amphenolrf.com	
DRAWING NO. 3FAI-NXSJ-C01E0	
ITEM NO. 3FAI-NXSJ-C01E0	
PART NO. 3FAI-NXSJ-C01E0	

THIRD ANGLE PROJ.

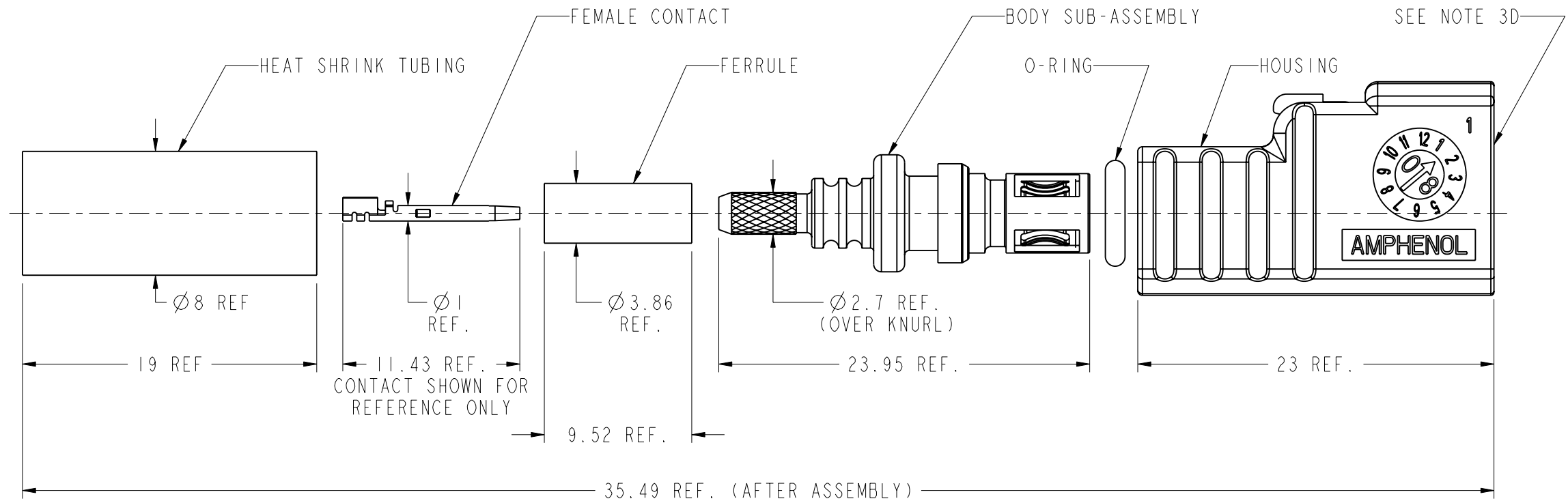
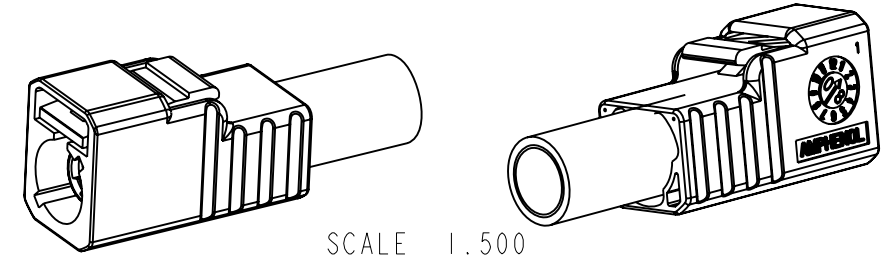
REVISIONS

REV	DESCRIPTION	DATE	ECO	APPR
A	RELEASE TO MFG.	14-Aug-14	50150	JY

CONFIGURATION CONTROL:
NO CHANGES PERMITTED TO DRAWING WITHOUT PPAP QUALIFIED CUSTOMER APPROVAL



RECOMMENDED CABLE STRIPPING DIMENSIONS
SCALE 4.000



CUSTOMER OUTLINE DRAWING
ALL OTHER SHEETS ARE FOR INTERNAL USE ONLY

X-ON Electronics

Largest Supplier of Electrical and Electronic Components

Click to view similar products for [RF Connectors / Coaxial Connectors](#) category:

Click to view products by [Amphenol](#) manufacturer:

Other Similar products are found below :

[8915-1511-000](#) [89674-0827](#) [6001-7071-019](#) [6002-7051-003](#) [6002-7551-202](#) [6059674-1](#) [619550-1](#) [630059-000](#) [M39030/3-01N](#) [M3933/25-36N](#) [6500-7071-046](#) [6769](#) [CX050L2AQ](#) [7002-1542-011](#) [7004-1512-000](#) [7009-1511-004](#) [7010-1511-000](#) [7029-1511-060](#) [7101-1541-010](#) [7101-1571-002](#) [7105-1521-002](#) [7145-1521-002](#) [7203-1571-003](#) [7209-1511-011](#) [7210-1511-015](#) [7210-1511-019](#) [73137-5015](#) [73216-2241](#) [7325-1512-000](#) [73404-2300](#) [7405-1521-005](#) [7405-1521-802](#) [7406-1521-005](#) [8527](#) [8547](#) [FS11V](#) [8808-1511-001](#) [9049-9513-000](#) [9074-9513-000](#) [9101-9573-002](#) [910A205F](#) [9130-9573-002](#) [PL11SC-026](#) [PL375-33](#) [PL40-5](#) [PL71-9](#) [PL74C-221](#) [PL75MC-217](#) [PL803-7](#) [980-8666-005](#)