

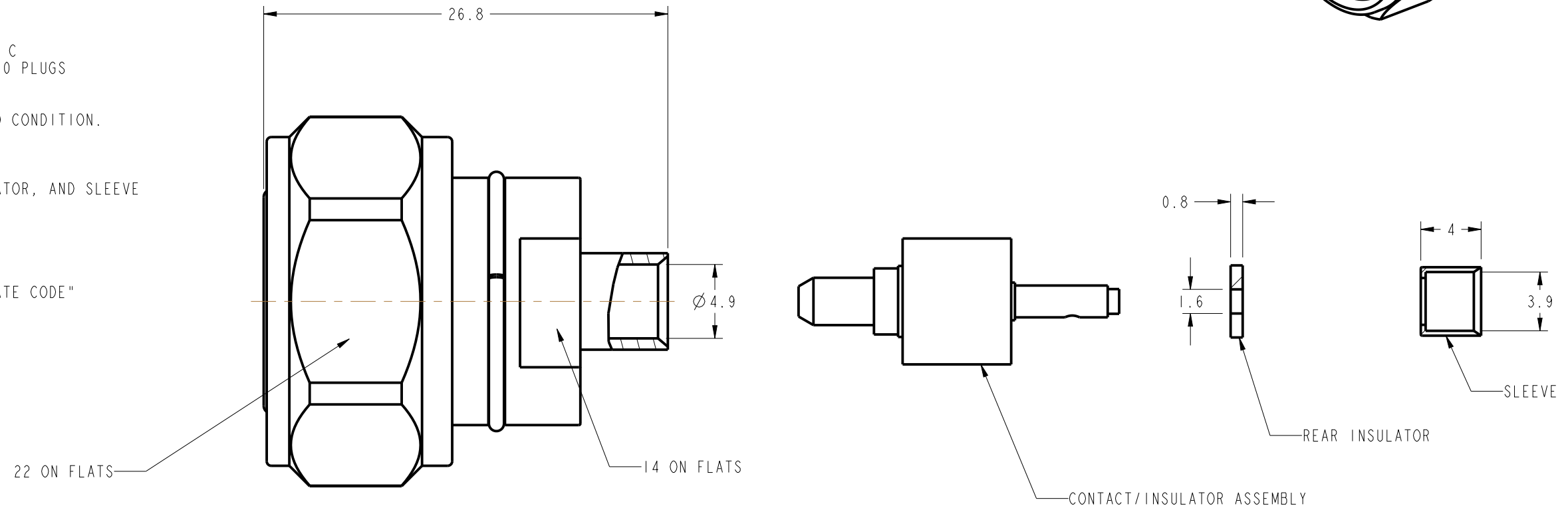
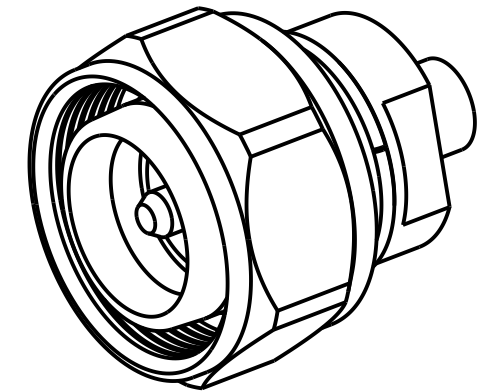
NOTES:

1. MATERIALS AND FINISHES:
 INNER CONDUCTOR - BRASS
 OUTER CONDUCTOR - BRASS
 NUT - BRASS
 INSULATOR - PTFE, NATURAL
 O-RING - SILICONE RUBBER, RED
2. ELECTRICAL:
 A. IMPEDANCE: 50 OHM
 B. FREQUENCY RANGE: DC - 3 GHz
 C. VSWR: 1.10 MAX.
 D. INSERTION LOSS: .1 MAX.
 E. DWV: 1000VRMS
 F. INTERMODULATION: ≤ -166 dBc (2 X 43 dBm)
 G. INSULATION RESISTANCE: 5000 m Ω
 H. CONTACT RESISTANCE: OUTER CONDUCTOR <1.0 m Ω
 INNER CONDUCTOR <1.0 m Ω
3. MECHANICAL:
 A. DURABILITY: 500 CYCLES MIN.
 B. TEMPERATURE RANGE: -40° C TO +85° C
 C. COMPATIBLE WITH ALL STANDARD 4.3/10 PLUGS
4. ENVIRONMENTAL:
 A. PLUG MEETS IP-67 STANDARD IN MATED CONDITION.
5. ASSEMBLY SPEC. 349-50925
6. CONTACT/INSULATOR ASSEMBLY, REAR INSULATOR, AND SLEEVE TO BE SHIPPED LOOSE IN BAG
7. PACKAGING:
 A. QUANTITY: SINGLE PACK
 B. MARKING: BAG TO BE MARKED
 "AMPHENOL RF, 431-123P-52S, AND DATE CODE"

THIRD ANGLE PROJ.

REVISIONS

REV	DESCRIPTION	DATE	ECO	APPR
A	RELEASE TO MFG.	10/21/16	02202	KCE



CUSTOMER OUTLINE DRAWING

ALL OTHER SHEETS ARE FOR INTERNAL USE ONLY

UNLESS OTHERWISE SPECIFIED, DIMENSIONS ARE IN METRIC AND TOLERANCES ARE: <0.5mm ±0.05mm 0.5 - 6mm ±0.1mm 6 - 30mm ±0.2mm 30 - 120mm ±0.3mm ANGLES ±1°	MATERIAL BRASS	DRAWN K. ELMES	DATE 09-Mar-16	TITLE 4.3/10SM-RG402		Amphenol RF www.amphenolrf.com		
	REFERENCE EAR #6645	ENGINEER K. ELMES	DATE 09-Mar-16					DRAWING NO. 431-123P-52S
NOTICE - These drawings, specifications, or other data (1) are, and remain the property of Amphenol corp. (2) must be returned upon request; and (3) are confidential and not to be disclosed to any person other than those to whom they are given by Amphenol Corp. the furnishing of these drawings, specifications, or other data by Amphenol Corp., or to any other person to anyone for any purpose is not to be regarded by implication or otherwise in any manner licensing, granting rights to permitting such holder or any other person to manufacture, use or sell any product, process or design, patented or otherwise, that may in any way be related to or disclosed by said drawings, specifications, or other data.	FINISH	APPROVED K. CAPOZZI	DATE 10/21/16	SCALE: 2.0:1.0	SHEET 2 OF 2	ITEM NO. 431-123P-52S		
		CAD FILE			DWG SIZE B	REV A	PART NO. 431-123P-52S	

X-ON Electronics

Largest Supplier of Electrical and Electronic Components

Click to view similar products for [RF Connectors / Coaxial Connectors](#) category:

Click to view products by [Amphenol](#) manufacturer:

Other Similar products are found below :

[8915-1511-000](#) [89674-0827](#) [6001-7071-019](#) [6002-7051-003](#) [6002-7551-202](#) [6059674-1](#) [619550-1](#) [630059-000](#) [M39030/3-01N](#) [M3933/25-36N](#) [6500-7071-046](#) [6769](#) [CX050L2AQ](#) [7002-1542-011](#) [7004-1512-000](#) [7009-1511-004](#) [7010-1511-000](#) [7029-1511-060](#) [7101-1541-010](#) [7101-1571-002](#) [7105-1521-002](#) [7145-1521-002](#) [7203-1571-003](#) [7209-1511-011](#) [7210-1511-015](#) [7210-1511-019](#) [73137-5015](#) [73216-2241](#) [7325-1512-000](#) [73404-2300](#) [7405-1521-005](#) [7405-1521-802](#) [7406-1521-005](#) [8527](#) [8547](#) [FS11V](#) [8808-1511-001](#) [9049-9513-000](#) [9074-9513-000](#) [9101-9573-002](#) [910A205F](#) [9130-9573-002](#) [PL11SC-026](#) [PL375-33](#) [PL40-5](#) [PL71-9](#) [PL74C-221](#) [PL75MC-217](#) [PL803-7](#) [980-8666-005](#)