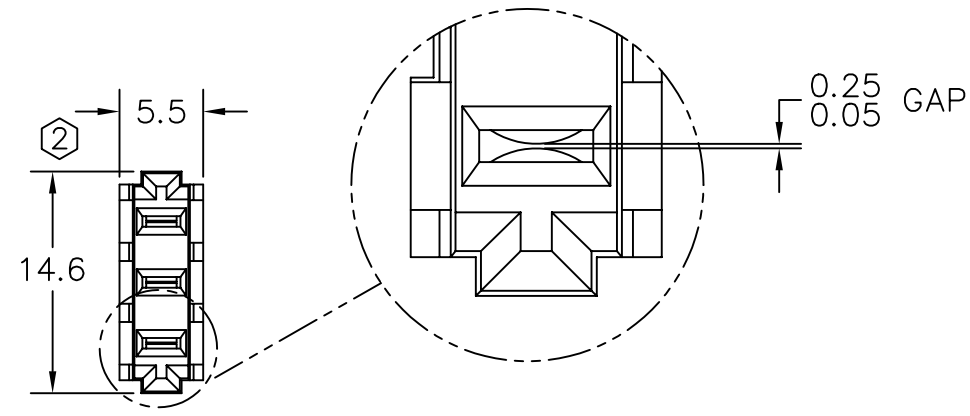
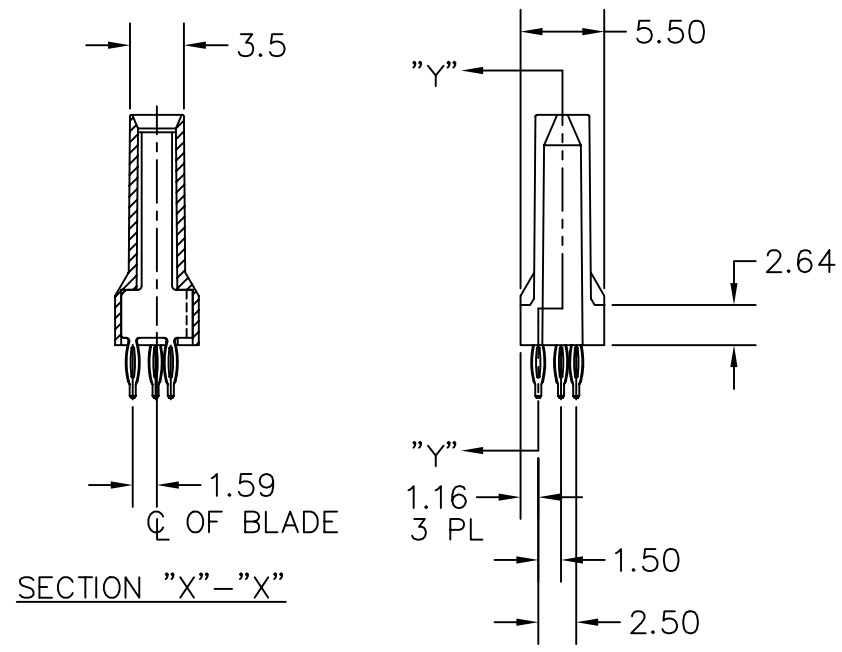


TABLE 1

PART NUMBER	INSULATOR NUMBER	CONTACT NUMBER	COLOR	PLATING DESCRIPTION
437-5040-000	437-0024-060	265-0000-735	BLACK	Ni SULFAMATE, STANDARD GOLD, LEADED
437-5060-000	437-0024-060	265-0000-732	BLACK	Ni SULFAMATE, HIGH GOLD, LEADED
437-6040-000	437-0024-060	265-0000-769	BLACK	Ni SULFAMATE, STANDARD GOLD, LEAD-FREE
437-6060-000	437-0024-060	265-0000-768	BLACK	Ni SULFAMATE, HIGH GOLD, LEAD-FREE
437-5740-000	437-0024-060	265-0000-804	BLACK	NANO Ni, STANDARD GOLD, LEADED
437-5760-000	437-0024-060	265-0000-803	BLACK	NANO Ni, HIGH GOLD, LEADED
437-6740-000	437-0024-060	265-0000-806	BLACK	NANO Ni, STANDARD GOLD, LEAD-FREE
437-6760-000	437-0024-060	265-0000-805	BLACK	NANO Ni, HIGH GOLD, LEAD-FREE

REV	SCR NO.	DESCRIPTION	BY	DATE	APPROVED
-	36846	NEW RELEASE	SG	10/18/01	W.LI
A	37485	ADDED TABLE 2	SG	1/15/02	W.LI
B	39045	UPDATED PART REV	SG	6/26/02	W.LI
C	40300	MODIFIED TABLE 2	SG	10/25/02	W.LI
D	MFID-69NK78.VER01	MODIFIED GAP TOLERANCE	SG	2/18/05	K.LEBLANC
E	DMAG-6BNMRJ.VER01	ADDED LEAD FREE PLATING	SG	4/21/05	S.BAIR
F	CSAS-7P7SJR.VER01	DRAWING TEMPLATE UPDATED TO ATCS	HCL-RB	2/24/09	U.MAYORAL
G	LCUN-7SNKW8.VER01	UPDATED TABLE 1, ADDED PLATING TYPE	HCL-RB	06/15/09	U.MAYORAL
H	CSAS-82CUAG.VER01	ADDED NEW PART NUMBERS IN TABLE 1 FOR NEW PLATING CODES.	HCL-MH	02/07/2010	C.SAMMIS

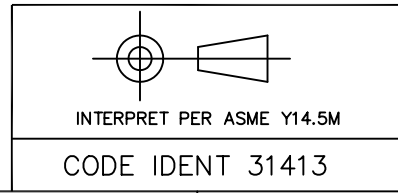


3. PART MARKING TO BE AS FOLLOWS:
 LINE 1: DATE CODE (YYWW)
 LINE 2-3: WORK ORDER NUMBER (*#####), WHERE (*) DENOTES MANUFACTURING LOCATION
 ② KEEP OUT ZONE FOR SURFACE TRACES.
 NOTES: ① FOR EACH ADDITIONAL POWER MODULE ADD 6.00mm.

TOLERANCES	DWN	10/18/01
0.0	± 0.25	S.GAGNON
0.00	± 0.13	CHK 10/19/01
0.000	± -	W.LI
ANGLES	± 2°	APVD 10/19/01
W.LI		

Amphenol TCS
 A Division of Amphenol Corporation
 200 Innovative Way, suite 201, Nashua, N.H. 03062 (603) 879-3000

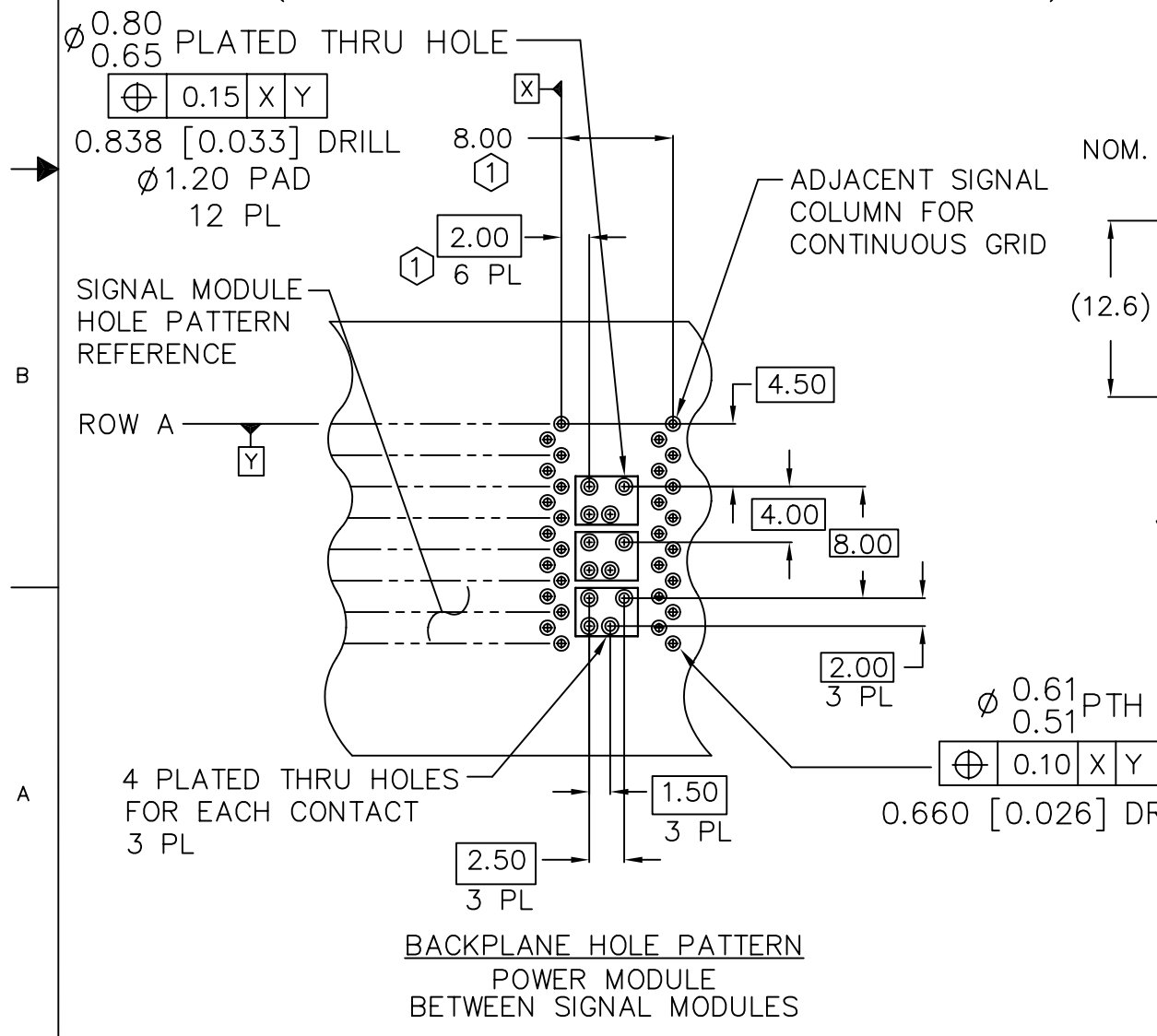
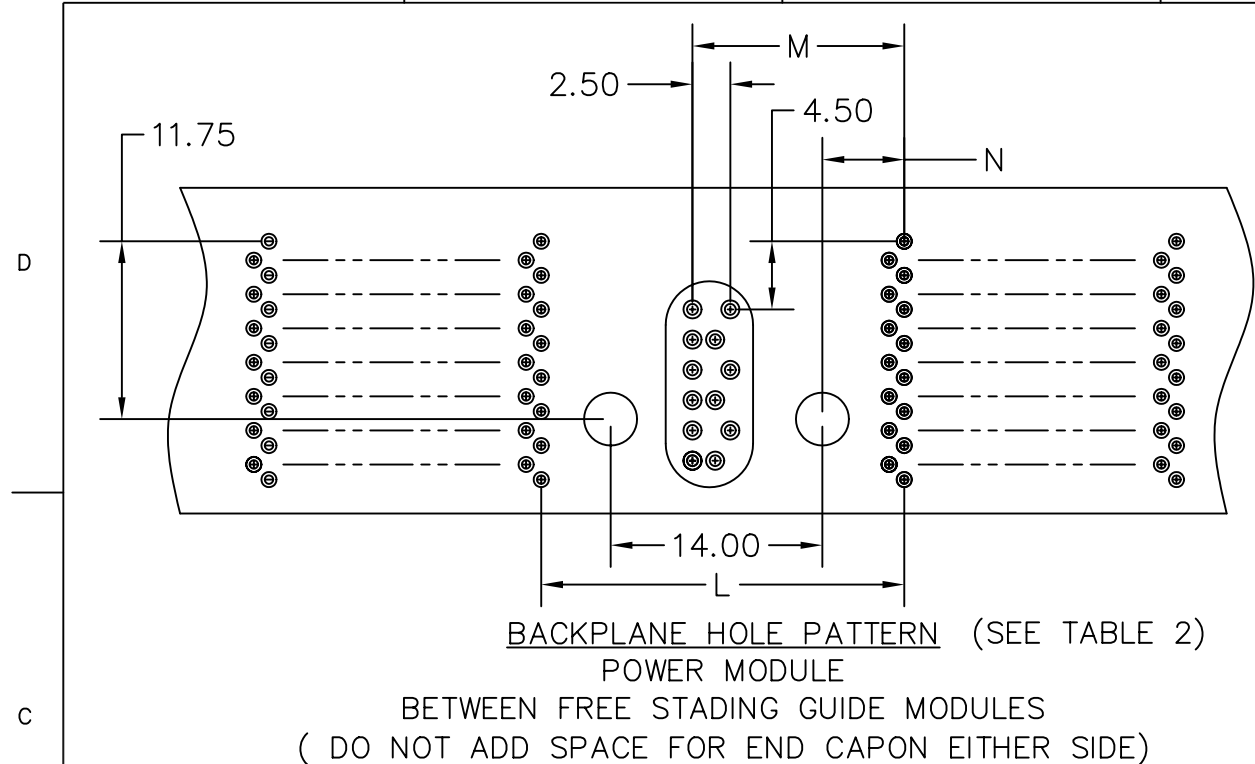
TITLE
 VHDM 8 ROW
 BACKPLANE
 POWER MODULE



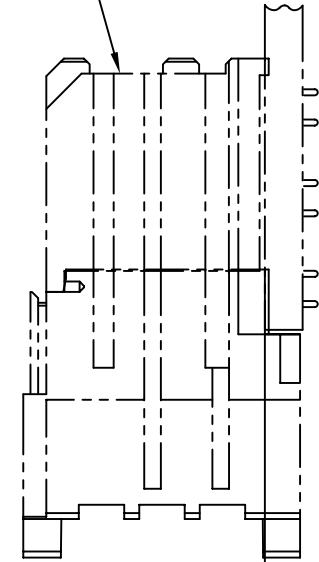
CUSTOMER USE
 DRAWING

PART NO.	SEE TABLE 1	REV	N/A
DRAWING NO.	C-437-5040-500	REV	H
SIZE B	SCALE 1/1	SHEET 1 OF 2	

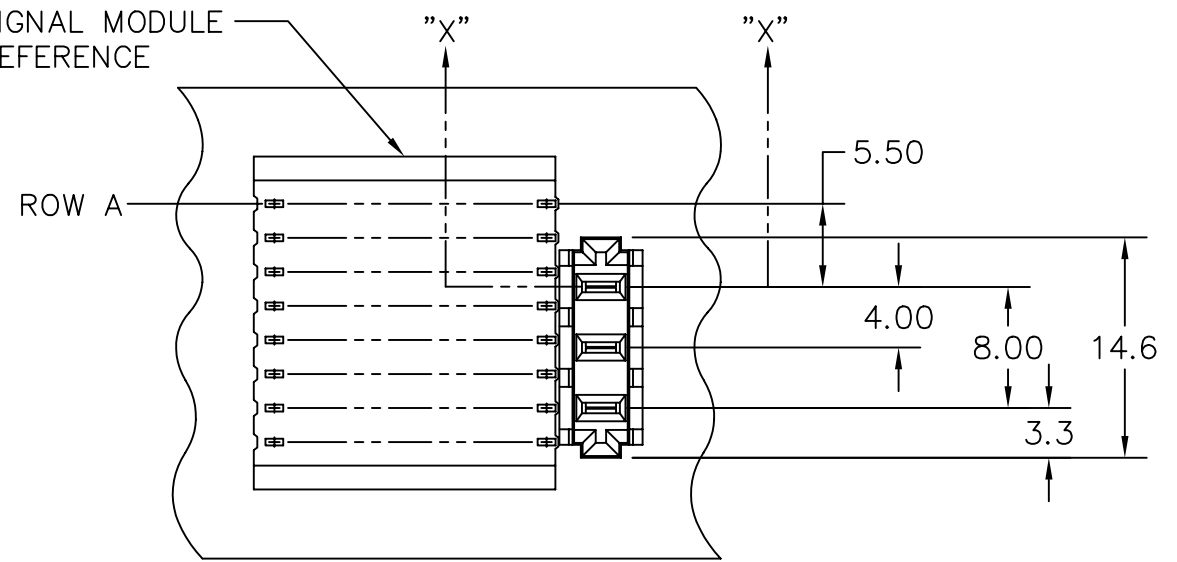
REV	SCR NO.	DESCRIPTION	BY	DATE	APPROVED
		SEE SHEET 1			



DAUGHTERCARD
POWER CONNECTOR
REFERENCE



SIGNAL MODULE
REFERENCE



BACKPLANE ASSEMBLY

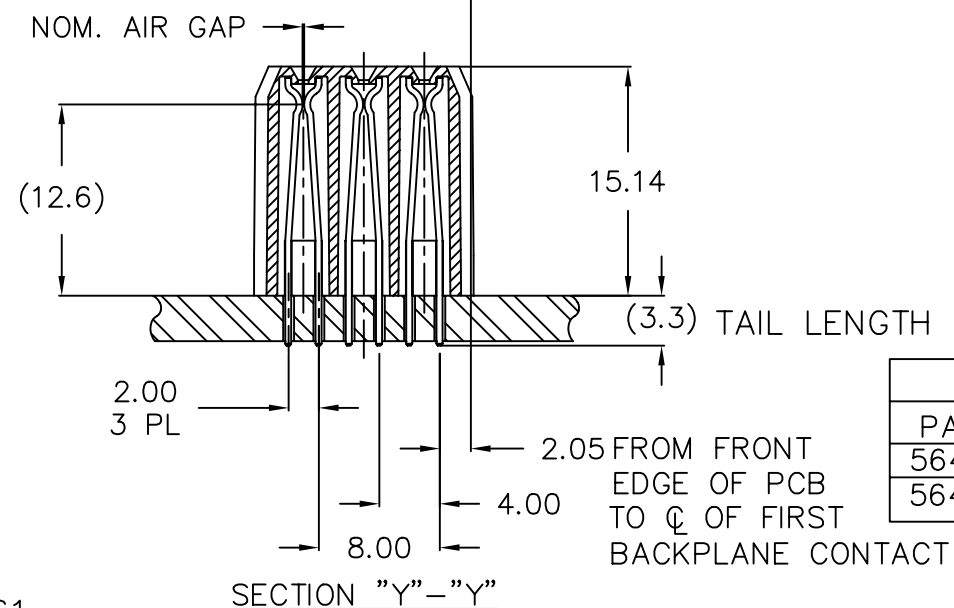


TABLE 2

PART NUMBER	DESCRIPTION	L	M	N
564-0383-553	FREE STANDING GUIDE PIN	24	14	5.41
564-0481-553	ESD ROUNDED GUIDE PIN	28	16	6.41

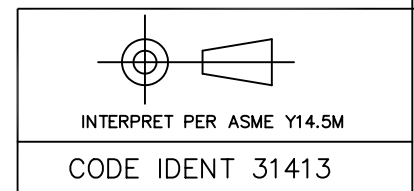
TOLERANCES

0.0	± 0.25	DWN 10/18/01 S.GAGNON
0.00	± 0.13	CHK 10/19/01 W.LI
0.000	± -	APVD 10/19/01 W.LI
ANGLES	± 2°	

UNLESS OTHERWISE SPECIFIED
DIMENSIONS ARE IN MILLIMETERS

Amphenol TCS
A Division of Amphenol Corporation
200 Innovative Way, suite 201, Nashua, N.H. 03062 (603) 879-3000

TITLE
VHDM 8 ROW
BACKPLANE
POWER MODULE



CUSTOMER USE
DRAWING

PART NO. SEE TABLE 1	REV N/A
DRAWING NO. C-437-5040-500	REV H
SIZE B	SCALE 1/1
SHEET 2 OF 2	

DWG NO. C-437-5040-500 SH 2 REV H

X-ON Electronics

Largest Supplier of Electrical and Electronic Components

Click to view similar products for [High Speed/Modular Connectors](#) category:

Click to view products by [Amphenol](#) manufacturer:

Other Similar products are found below :

[650827-1](#) [74040-1346](#) [1410191-1](#) [1410337-1](#) [1410368-3](#) [1410964-2](#) [1410326-3](#) [1410367-3](#) [1410971-4](#) [1467833-1](#) [2000877-1](#) [2000878-1](#)
[2041314-1](#) [2065387-1](#) [2187307-1](#) [163P](#) [1934290-1](#) [2000875-1](#) [2065917-1](#) [2102736-2](#) [FSR-40](#) [2169868-2](#) [22354-8](#) [437-5040-000](#) [5-](#)
[1393565-0](#) [039-0246-000](#) [0740618502](#) [0761601016](#) [0784461022](#) [10123159-12ELF](#) [030-2415-003/100 PK](#) [030-7380-004](#) [030-2494-001](#)
[532939-1](#) [5532901-3](#) [3-1469268-7](#) [74748-102LF](#) [73670-0247](#) [10041743-101LF](#) [10066670-100002LF](#) [1-533915-1](#) [249-4515-000](#) [7-1469373-](#)
[3](#) [DL2-2J/S](#) [2000713-8](#) [2000713-7](#) [3011-21](#) [757105208](#) [EBTF-4-10-2.0-S-RA-1](#) [430305-001](#)