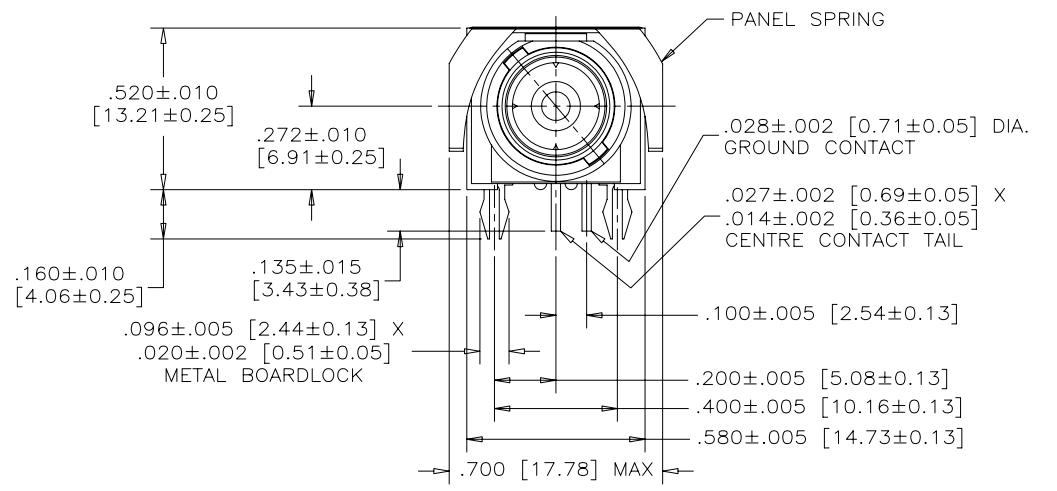
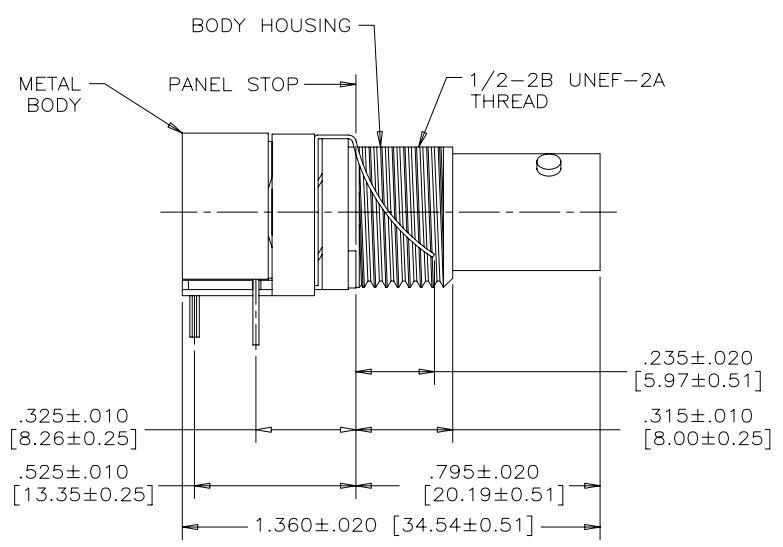


REVISIONS			
REV	ECN, ERN NO.	DATE	APPRD.
A	PRODUCT DRAWING	JAN11/06	K.L.



MECHANICAL SPECIFICATION:

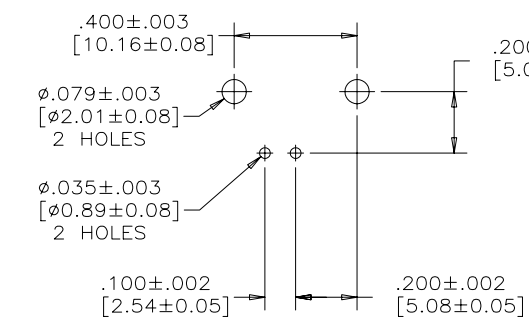
ALL MATERIALS ARE RoHS COMPLIANT

BODY HOUSING: THERMOPLASTIC POLYESTER

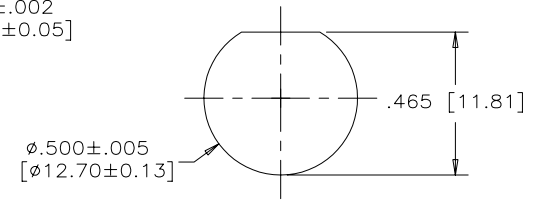
GROUNDING DEVICE: COPPER ALLOY, TIN PLATED

CENTRE CONTACT: PHOSPHOR BRONZE, 10 MICRINCHES [0.25 MICRONS] GOLD PLATED OVER NICKEL ON MATING AREA WITH TIN ON TAIL

METAL BODY: HIGH STRENGTH ZINC DIE-CAST NICKEL PLATED



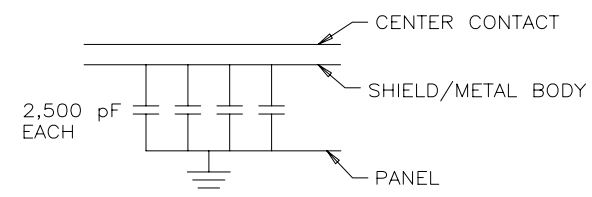
P.C.B. CONFIGURATION



RECOMMENDED PANEL CUT-OUT

ELECTRICAL SPECIFICATION:

CAPACITANCE	10000 pF ± 15%
DIELECTRIC WITHSTANDING VOLTAGE	1000 VDC 500 VRMS
WORKING VOLTAGE	200 VDC
IMPEDANCE (SEE PART NUMBER)	50 OR 75 OHM NOMINAL
OPERATING TEMPERATURE	-20°C TO +85°C



CIRCUIT DIAGRAM

AMPHENOL PART NO.	IMPEDANCE
456E-117	50 OHM
456E-717	75 OHM

NOTE: BOARDLOCKS ARE ELECTRICALLY CONNECTED TO THE BODY.

THIS DOCUMENT CONTAINS PROPRIETARY INFORMATION AND SUCH INFORMATION MAY NOT BE DISCLOSED TO OTHERS FOR ANY PURPOSE OR USED FOR MANUFACTURING PURPOSES WITHOUT WRITTEN PERMISSION FROM AMPHENOL CANADA CORP.

DRAWN	A. CHENG	DATE	JAN10/06
DESIGNED			
CHECKED	K. LAMBIE	DATE	JAN11/06
I. E. APPRD.			
Q. A. APPRD.			
DWG. APPRD.			
ENG. REL. NO.			
REF.	EAR 12900		
DIMENSIONS ARE IN	CODE ID. NO.		
INCHES [mm]	03554		

Amphenol Canada Corp.

456E SERIES B.N.C. RIGHT ANGLE CAPACITIVELY DECOUPLED CONNECTOR, 10,000 pF, RoHS COMPLIANT

DWG	DRAWING NO.	REV.
C	P-456E-X17	A

SCALE 3/1 WT. ----- SURF. ----- SHEET 1 OF 1

X-ON Electronics

Largest Supplier of Electrical and Electronic Components

Click to view similar products for [RF Connectors / Coaxial Connectors](#) category:

Click to view products by [Amphenol](#) manufacturer:

Other Similar products are found below :

[8915-1511-000](#) [89674-0827](#) [6001-7071-019](#) [6002-7051-003](#) [6002-7551-202](#) [6059674-1](#) [619550-1](#) [630059-000](#) [M39030/3-01N](#) [M3933/25-36N](#) [6500-7071-046](#) [6769](#) [CX050L2AQ](#) [7002-1542-011](#) [7004-1512-000](#) [7009-1511-004](#) [7010-1511-000](#) [7029-1511-060](#) [7101-1541-010](#) [7101-1571-002](#) [7105-1521-002](#) [7145-1521-002](#) [7203-1571-003](#) [7209-1511-011](#) [7210-1511-015](#) [7210-1511-019](#) [73137-5015](#) [73216-2241](#) [7325-1512-000](#) [73404-2300](#) [7405-1521-005](#) [7405-1521-802](#) [7406-1521-005](#) [8527](#) [8547](#) [FS11V](#) [8808-1511-001](#) [9049-9513-000](#) [9074-9513-000](#) [9101-9573-002](#) [910A205F](#) [9130-9573-002](#) [PL11SC-026](#) [PL375-33](#) [PL40-5](#) [PL71-9](#) [PL74C-221](#) [PL75MC-217](#) [PL803-7](#) [980-8666-005](#)