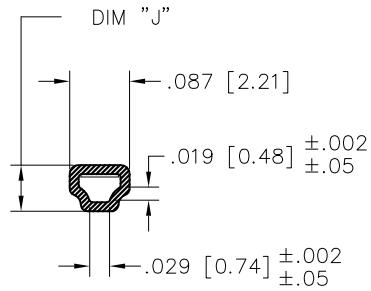
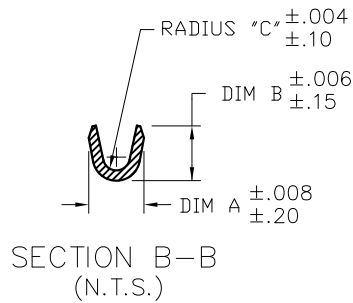


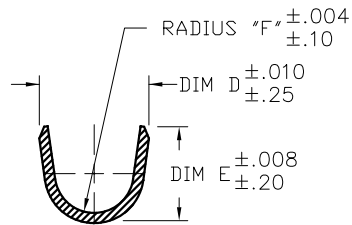
PRODUCT NUMBER
SEE TABLE



SECTION A-A

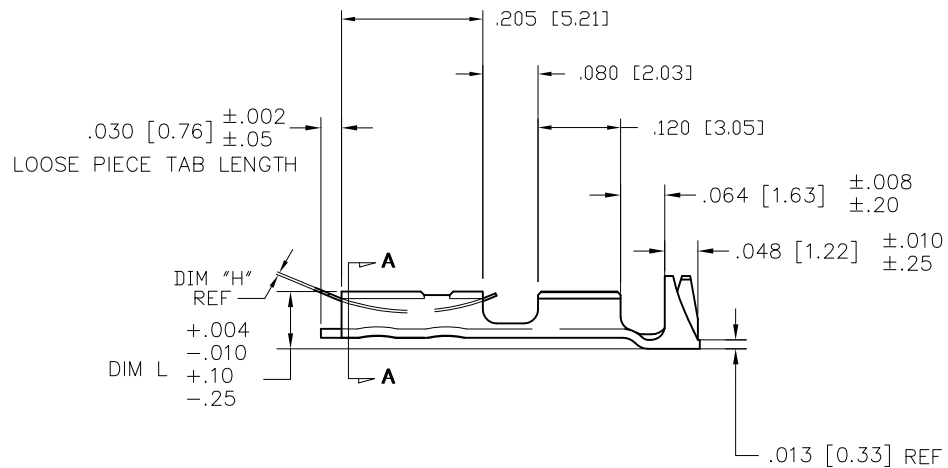
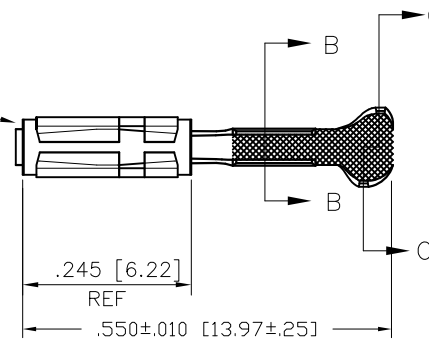


SECTION B-B
(N.T.S.)



SECTION C-C
(N.T.S.)

SIDES OF SPRING MAY NOT
EXTEND BEYOND SIDE OF
TERMINAL MORE THAN .004/.10



mat'l. code				surface	tolerance	projection	product family
SEE TABLE							PV TERMINALS
ltr	ecn no	dr	date	tolerances unless otherwise specified		INCH/MM	title
AA	v08-0113	HTB	2008-03-28	angles	.XX±.01 / X±.3		
AB	v08-0510	HTB	2008-12-02	linear	.XXX±.005 / .XX±.13	scale 4:1	MAXI PV™ RECEPTACLE CRIMP TO WIRE
AC	v11-0038	HTB	2011-10-11		.XXXX±.0020 / .XXX±.051		
-	-	-	-	dr	T. BREWBAKER	2006-04-18	dwg no
W	v06-0218	HTB	2006-03-07	engr	T. BREWBAKER	2006-04-18	sheet 1 of 3
X	v06-0303	HTB	2006-04-18	chr	T. BREWBAKER	2006-04-18	size
Y	v07-0218	HTB	2007-03-16	appd	T. BREWBAKER	2006-04-18	A3
sheet	revision	AC	AC	AC			
index	sheet	1	2	3			

PRODUCT NUMBER		AWG RANGE	MATERIAL AND PLATING		SPRING THICKNESS		BODY			
REELED	LOOSE PC.		BODY : 1/4 HD BRASS	SPRING : BE-CU HEAT TREATED	DIM H		DIM J		DIM L	
					ENGLISH	METRIC	ENGLISH	METRIC	ENGLISH	METRIC
46220-000	46224-000									
46230-000	46234-000									
46240-000	46244-000									
46221-000LF	46225-000LF	18-20	40μ"/1.02μm MIN GOLD OVER	GOLD FLASH	0.0058	0.147	0.067	1.70	0.083	2.11
46231-000LF	46235-000LF	22-26	50μ"/1.27μm MIN NICKLE IN		0.0058	0.147	0.067	1.70	0.083	2.11
46241-000	46245-000	28-32	OBS. CONTACT AREA (NOTE 4)		OBSOLETE					
46222-000LF	47418-000LF				OBSOLETE					
46232-000LF	47419-000LF				OBSOLETE					
46242-000	47420-000				OBSOLETE					
46223-000LF	47387-000LF				OBSOLETE					
46233-000LF	47384-000LF				OBSOLETE					
46243-000	47403-000				OBSOLETE					
46226-000LF	46227-000LF	18-20	40μ"/1.02μm MIN GOLD OVER	GOLD FLASH	0.0048	0.122	0.067	1.70	0.083	2.11
46236-000LF	46237-000LF	22-26	50μ"/1.27μm MIN NICKLE IN		0.0048	0.122	0.067	1.70	0.083	2.11
46246-000	46247-000	28-32	OBS. CONTACT AREA (NOTE 4)		OBSOLETE					
46228-000	46229-000				OBSOLETE					
46238-000	46239-000				OBSOLETE					
46248-000	46249-000				OBSOLETE					
46580-000	46581-000				OBSOLETE					
46590-000	46591-000				OBSOLETE					
46600-000	46601-000				OBSOLETE					
47388-000	47391-000				OBSOLETE					
47389-000	47392-000				OBSOLETE					
47390-000	47393-000				OBSOLETE					
47612-000					OBSOLETE					
47613-000					OBSOLETE					
47614-000					OBSOLETE					
47621-000					OBSOLETE					
47622-000					OBSOLETE					
47653-000					OBSOLETE					
47733-000					OBSOLETE					
47734-000					OBSOLETE					
47735-000					OBSOLETE					
47736-000	46582-000				OBSOLETE					
47737-000	46592-000				OBSOLETE					
47738-000	46602-000				OBSOLETE					
48188-000	48189-000				OBSOLETE					

SEE SHEET 3 FOR PRODUCTS WITH LEAD-FREE TIN PLATING.

mat'l. code SEE TABLE				surface ✓	tolerance	projection ⊕	product family PV TERMINALS
ltr	ecn no	dr	date	tolerances unless otherwise specified		INCH/MM	title
AC				angles	linear	scale 1:1	MAXI PV™ RECEPTACLE CRIMP TO WIRE
							dwg no 46220
				dr	T. BREWBAKER	2006-04-18	sheet 2 of 3
				engr	T. BREWBAKER	2006-04-18	size A3
				chr	T. BREWBAKER	2006-04-18	
				appd	T. BREWBAKER	2006-04-18	
sheet	revision						type Product Customer Drawing
index	sheet						

PRODUCT NUMBER		AWG RANGE	MATERIAL AND PLATING		SPRING THICKNESS		BODY					
REELED	LOOSE PC.		BODY : 1/4 HD BRASS		SPRING : BE-CU HEAT TREATED		DIM H		DIM J		DIM L	
46580-000LF	46581-000LF					ENGLISH	METRIC	ENGLISH	METRIC	ENGLISH	METRIC	
46590-000LF	46591-000LF	OBSOLETE										
46600-000LF	46601-000LF	OBSOLETE										
47388-000LF	47391-000LF	18-20	HOT DIPPED TIN (NOTE 7)		TIN PLATED		0.0058	0.147	0.067	1.70	0.083	2.11
47389-000LF	47392-000LF	22-26					0.0058	0.147	0.067	1.70	0.083	2.11
47390-000LF	47393-000LF	28-32					0.0058	0.147	0.067	1.70	0.083	2.11
47736-000LF	46582-000LF	18-20	HOT DIPPED TIN (NOTE 7)		TIN PLATED		0.0048	0.122	0.067	1.70	0.083	2.11
47737-000LF	46592-000LF	22-26					0.0048	0.122	0.067	1.70	0.083	2.11
47738-000LF	46602-000LF	28-32					0.0048	0.122	0.067	1.70	0.083	2.11

AWG RANGE	WIRE BARREL						INSULATION BARREL									
	DIM A		DIM B		DIM C		INSULATION DIA. RANGE FOR DISCRETE TERMINALS		INSULATION DIA. RANGE WHEN USED WITH MAXI LATCH HSG.		DIM D		DIM E		DIM F	
	ENGLISH	METRIC	ENGLISH	METRIC	ENGLISH	METRIC	ENGLISH	METRIC	ENGLISH	METRIC	ENGLISH	METRIC	ENGLISH	METRIC	ENGLISH	METRIC
18-20	0.110	2.79	0.110	2.79	0.021	0.53	0.042 - 0.103	1.07 - 2.62	0.042 - 0.060	1.07 - 1.52	0.139	3.53	0.123	3.12	0.050	1.27
22-26	0.070	1.78	0.070	1.78	0.017	0.43	0.036 - 0.103	0.91 - 2.62	0.036 - 0.060	0.91 - 1.52	0.139	3.53	0.123	3.12	0.050	1.27
28-30	0.054	1.37	0.058	1.47	0.011	0.28	0.028 - 0.054	0.71 - 1.37	0.028 - 0.054	0.71 - 1.37	0.115	2.92	0.110	2.79	0.040	1.02

NOTES:

- FOR DIMENSIONS OF WIRE BARREL AND INSULATION BARREL SEE TABLE.
- PART TO MATE WITH .025±.002 [0.64±0.05] SQ. PIN.
- APPLICABLE SPECIFICATIONS:
 - BUS-12-096 : PRODUCT SPECIFICATION
 - TA-213 : CRIMP SPECIFICATION FOR TERMINALS USED WITH MAXI-LATCH HOUSINGS.
 - TA-356 : CRIMP SPECIFICATION FOR CONTACTS NOT USED IN HOUSINGS.
- FINISH TO BE AS SPECIFIED IN CONTACT AREA. REMAINDER OF TOP OF PART TO BE GOLD FLASH OVER 50µ"/1.27µm NICKEL. BACKSIDE OF TERMINALS PLATED WITH 30µ"/0.76µm NICKEL ONLY.
- PRODUCT MEETS EUROPEAN UNION DIRECTIVES AND OTHER COUNTRY REGULATIONS AS DESCRIBED IN GS-22-008.
- THIS PRODUCT IS NOT INTENDED TO BE EXPOSED TO MANUFACTURING SOLDER PROCESSES.
- THIS PRODUCT HAS 100% TIN PLATING IN THE INTERFACE AND HAS NOT BEEN TESTED FOR WHISKER GROWTH IN ALL INTERCONNECT ENVIRONMENTS.

mat'l. code SEE TABLE				surface	tolerance	projection	product family
ltr	ecn no	dr	date	tolerances unless otherwise specified			PV TERMINALS
AC				angles	linear	INCH/MM	title
						scale 1:1	MAXI PV™ RECEPTACLE CRIMP TO WIRE
				dr	T. BREWBAKER	2006-04-18	dwg no
				engr	T. BREWBAKER	2006-04-18	sheet 3 of 3
				chr	T. BREWBAKER	2006-04-18	size
				appd	T. BREWBAKER	2006-04-18	A3
sheet index	revision sheet						type
							Product Customer Drawing



Copyright FCJ

X-ON Electronics

Largest Supplier of Electrical and Electronic Components

Click to view similar products for [Headers & Wire Housings](#) category:

Click to view products by [Amphenol](#) manufacturer:

Other Similar products are found below :

[892-18-020-10-001101](#) [58102-G61-06LF](#) [582553-1](#) [0009485154](#) [009176003701906](#) [0050291907](#) [LY20-4P-DT1-P1E-BR](#) [02.125.8002.8](#)
[609-3404](#) [61062-3](#) [622-0430](#) [622-3653LF](#) [63453-116](#) [636-1030](#) [636-1427](#) [636-3427](#) [636-4007](#) [641938-9](#) [641991-4](#) [644827-2](#) [65817-010LF](#)
[65817-015LF](#) [65863-015LF](#) [66207-023LF](#) [67095-007LF](#) [67601157](#) [68648-049](#) [70.362.1628.0](#) [70-4210](#) [70-4226B](#) [70-4853B](#) [707-5020](#) [707-](#)
[5028](#) [71.350.2428.0](#) [71918-208LF](#) [71961-016LF](#) [733-134](#) [733-162](#) [754199-000](#) [760-3052](#) [787-8014-00](#) [79531-3000](#) [FCN-360C032-B](#) [FCN-](#)
[367T-T012/H](#) [FCN-723D010/2](#) [80.063.4001.1](#) [800-90-001-10-001000](#) [800-90-010-10-002000](#) [801-43-002-10-013000](#) [801-43-006-10-002000](#)