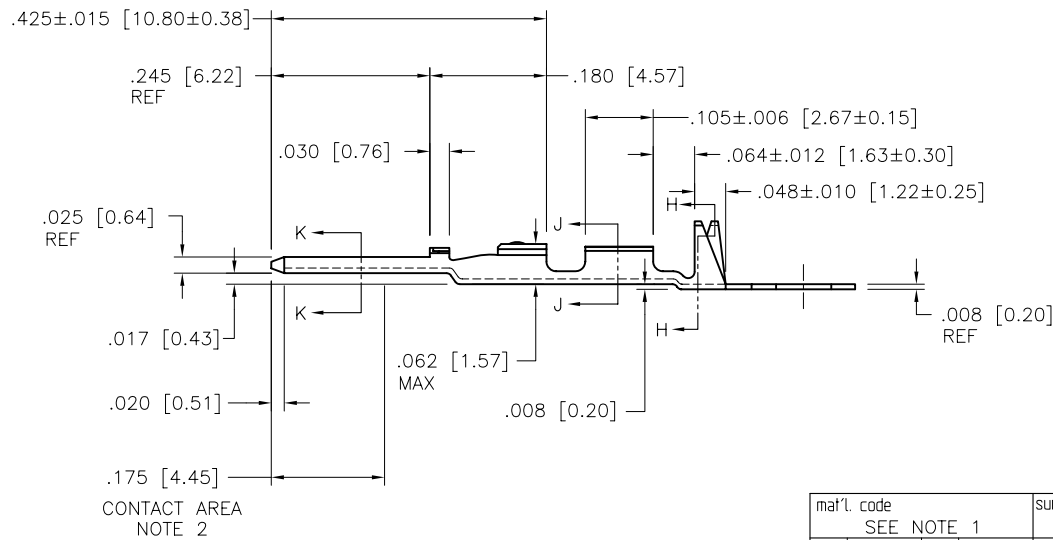
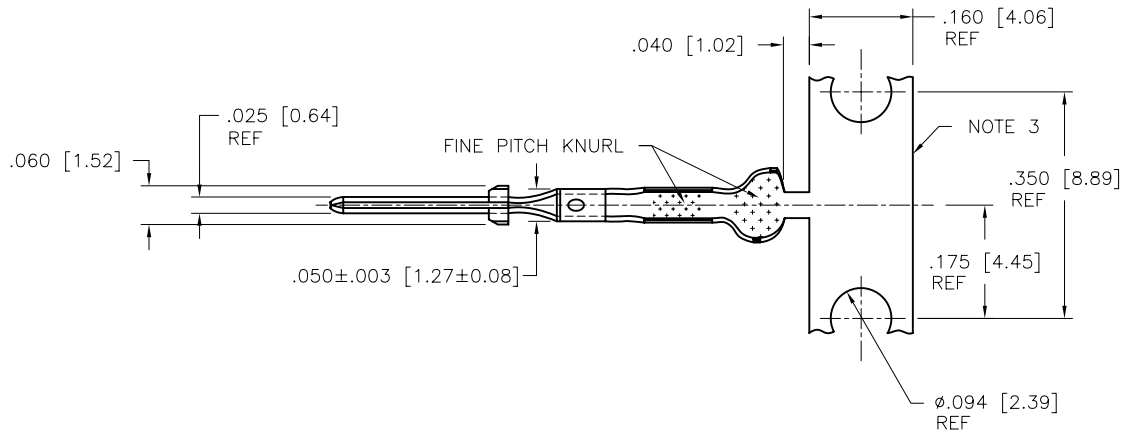
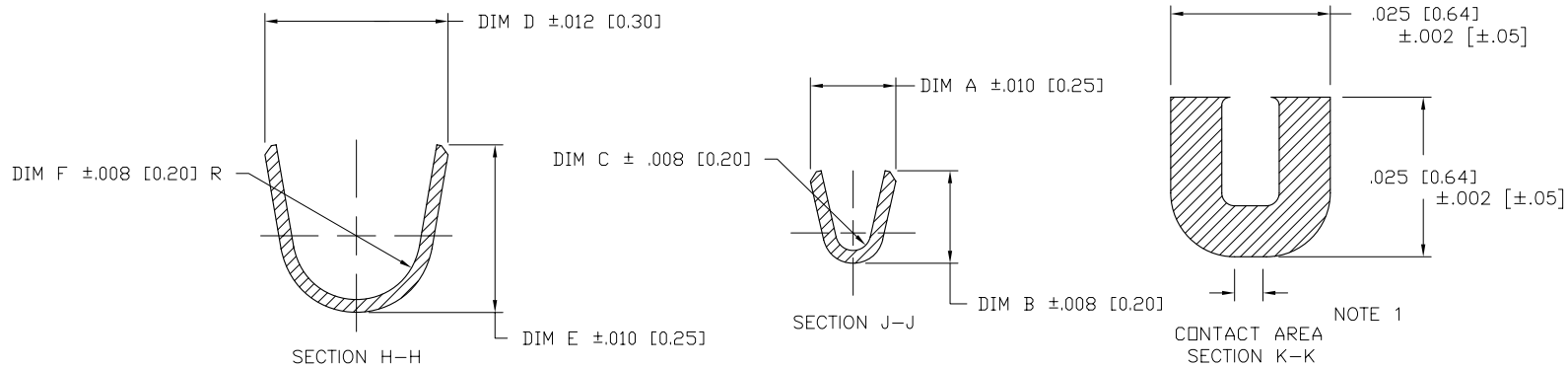


PRODUCT NUMBER
SEE SHEET 2



mat'l. code SEE NOTE 1				surface <input checked="" type="checkbox"/> tolerance		projection	product family PV TERMINAL	
ltr	ecn no	dr	date	tolerances unless otherwise specified		 INCH/MM	title C.T.W. MALE PIN	
M	V41701	LSS	1994-12-22	angles	linear		scale 4:1	dwg no sheet 1 of 3 size
N	V04-0056	VS	2004-02-17	linear	linear			47791 A4
P	V05-0254	HTB	2005-03-18	0° ±2'	linear		type CUSTOMER Drawing	
R	V06-0583	HTB	2006-06-27	dr	M.CLOUSER	1994-08-22		
S	V08-0114	HTB	2008-04-01	engr	T.HANNA	1994-08-22		
				chr	T.HANNA	1994-08-22		
				appd	T.HANNA	1994-08-22		
sheet	revision	S	S	S				
index	sheet	1	2	3				

PRODUCT NUMBER		AWG	DIM A	DIM B	DIM C	DIM D	DIM E	DIM F
LEFT - RIGHT	RIGHT - LEFT							
47791-003	47791-000	O B S O L E T E						
47791-003LF	47791-000LF	28-32	.054 [1.37]	.058 [1.47]	.011 [0.28]	.115 [2.92]	.105 [2.67]	.040 [1.02]
47792-003	47792-000	O B S O L E T E						
47792-003LF	47792-000LF	22-26	.070 [1.78]	.065 [1.65]	.017 [0.43]	.139 [3.53]	.120 [3.05]	.050 [1.27]
47793-003	47793-000	O B S O L E T E						
47793-003LF	47793-000LF	18-20	.104 [2.64]	.104 [2.64]	.021 [0.53]	.139 [3.53]	.120 [3.05]	.050 [1.27]

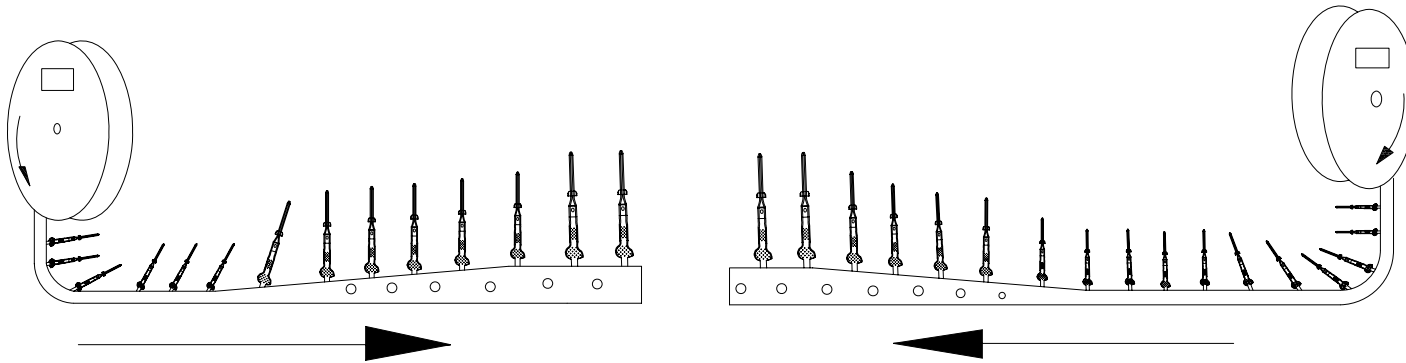


NOTES:

- ① MATERIAL: C2600 CARTRIDGE BRASS, 3/4 HD.
- ② PLATING: ELECTRODEPOSITED GOLD- 50u"/1.27u AVG. THICKNESS IN CONTACT AREA. REMAINDER GOLD FLASH. UNDERPLATE 50u"/1.27u NICKEL
- ③ FOR MANUFACTURING PURPOSES ONLY.
4. TERMINAL MAY BE USED WITH MINI LATCH HOUSING.
5. APPLICABLE SPECIFICATION:
 - A. BUS-12-098 PRODUCT SPECIFICATION.
 - B. TA-211 CRIMP SPECIFICATION.
- ⑥ PRODUCT MEETS EUROPEAN UNION DIRECTIVES AND OTHER COUNTRY REGULATIONS AS DESCRIBED IN GS-22-008.
7. THIS PRODUCT IS NOT INTENDED TO BE EXPOSED TO MANUFACTURING SOLDER PROCESSES.

mat'l. code		surface		tolerance		projection		product family	
SEE NOTE 1		✓		tolerances unless otherwise specified		INCH/MM		PV TERMINAL	
ltr	ecn no	dr	date	angles	linear	scale 10:1		title	
s				° ±2'	XXX +.01/X+3 XXX +.005/XX+13 XXXX +.0020/XXX+.051			C.T.W. MALE PIN	
				dr	M.CLOUSER	1994-08-22		dwg no	
				engr	T.HANNA	1994-08-22		sheet 2 of 3	
				chr	T.HANNA	1994-08-22		size	
				appd	T.HANNA	1994-08-22		A4	
sheet index		revision sheet						type	
								CUSTOMER Drawing	

PRODUCT NUMBER
SEE SHEET 2



Unreeling Direction
Left to Right Into
Applicator

Unreeling Direction
Right to Left Into
Applicator

mat'l. code		surface		tolerance		projection		product family	
SEE NOTE 1				✓		⊕		PV TERMINAL	
ltr	ecn no	dr	date	tolerances unless otherwise specified		INCH		title	
s				angles	inches	1:1		C.T.W. MALE PIN	
				0° ±2'	XXX*01/XX*3			dwg no	
					XXX*005/XX*13			sheet 3 of 3	
					XXXX*0020/XXX*051			size	
		dr	H. SUNDY	2004-02-17				A4	
		engr	H. SUNDY	2004-02-17				47791	
		chr	H. SUNDY	2004-02-17				type	
		appd	H. SUNDY	2004-02-17				CUSTOMER Drawing	
sheet index	revision sheet								

X-ON Electronics

Largest Supplier of Electrical and Electronic Components

Click to view similar products for [Headers & Wire Housings](#) category:

Click to view products by [Amphenol](#) manufacturer:

Other Similar products are found below :

[892-18-020-10-001101](#) [58102-G61-06LF](#) [582553-1](#) [0009485154](#) [009176003701906](#) [0050291907](#) [LY20-4P-DT1-P1E-BR](#) [02.125.8002.8](#)
[609-3404](#) [61062-3](#) [622-0430](#) [622-3653LF](#) [63453-116](#) [636-1030](#) [636-1427](#) [636-3427](#) [636-4007](#) [641938-9](#) [641991-4](#) [644827-2](#) [65817-010LF](#)
[65817-015LF](#) [65863-015LF](#) [66207-023LF](#) [67095-007LF](#) [67601157](#) [68648-049](#) [70.362.1628.0](#) [70-4210](#) [70-4226B](#) [70-4853B](#) [707-5020](#) [707-5028](#) [71.350.2428.0](#) [71918-208LF](#) [71961-016LF](#) [733-134](#) [733-162](#) [754199-000](#) [760-3052](#) [787-8014-00](#) [79531-3000](#) [FCN-360C032-B](#) [FCN-367T-T012/H](#) [FCN-723D010/2](#) [80.063.4001.1](#) [800-90-001-10-001000](#) [800-90-010-10-002000](#) [801-43-002-10-013000](#) [801-43-006-10-002000](#)