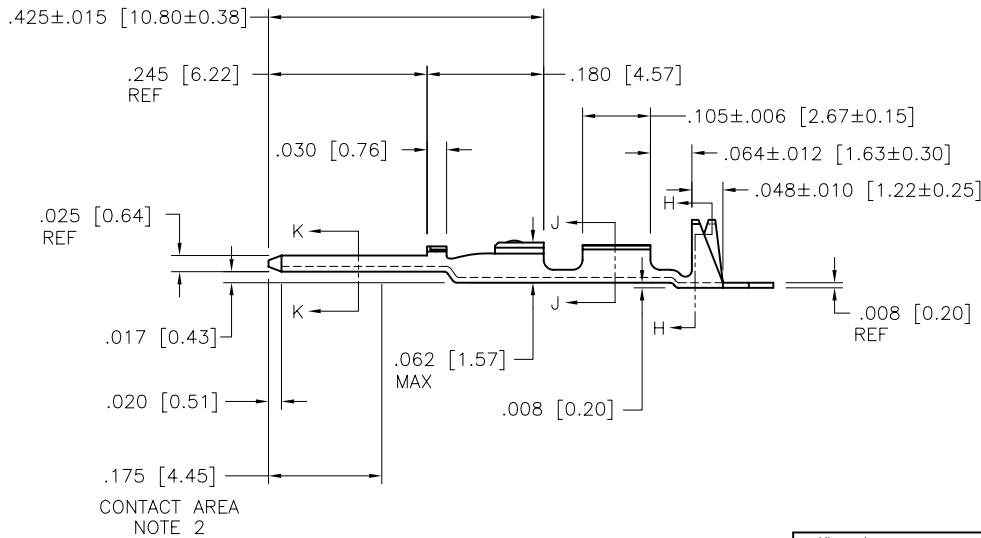
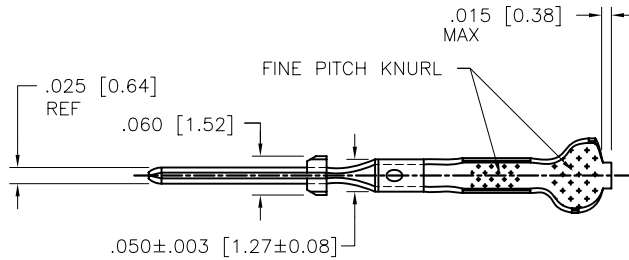
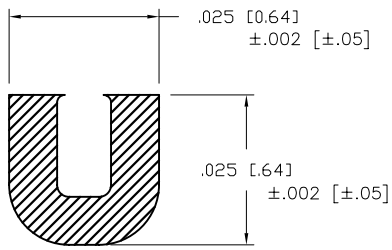
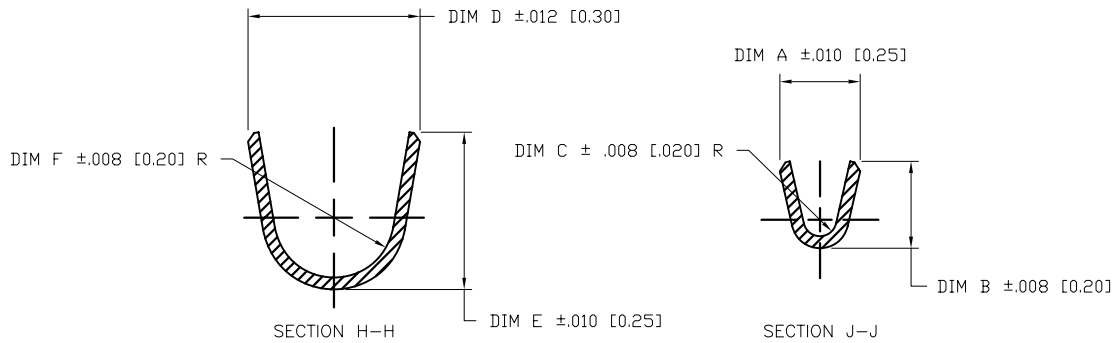


PRODUCT NUMBER
SEE SHEET 2



mat'l. code SEE NOTE 1				surface <input checked="" type="checkbox"/> tolerance		projection	product family PV TERMINALS		
ltr	ecm no	dr	date	tolerances unless otherwise specified		 INCH/MM	title		
F	V41701	LSS	1994-11-22	angles	XX +.01/X+.3		scale 4:1 	C.T.W. MALE PIN LOOSE PIECE	
G	V05-0254	HTB	2005-03-18	flat	XXX +.005/XX+.13	dwg no sheet 1 of 2 size			
H	V06-0583	HTB	2006-06-27	0° ± 2'	XXXX +.0020/XXX+.051	48115 A4			
J	V08-0114	HTB	2008-04-01	dr	L. SANDERS 1994-11-28	type CUSTOMER Drawing			
				engr	T. HANNA 1994-11-28				
				chr	T. BREWBAKER 1994-11-28				
				appd	T. HANNA 1994-11-28				
sheet index	revision sheet	J	J						
		1	2						

PRODUCT NUMBER	AWG	DIM A	DIM B	DIM C	DIM D	DIM E	DIM F
48115-000	O B S O L E T E						
48115-000LF	28-32	.054 [1.37]	.058 [1.47]	.011 [0.28]	.115 [2.92]	.105 [2.67]	.040 [1.02]
48116-000	O B S O L E T E						
48116-000LF	22-26	.070 [1.78]	.065 [1.65]	.017 [0.43]	.139 [3.53]	.120 [3.05]	.050 [1.27]
48117-000	O B S O L E T E						
48117-000LF	18-20	.104 [2.64]	.104 [2.64]	.021 [0.53]	.139 [3.53]	.120 [3.05]	.050 [1.27]



NOTE 1
CONTACT AREA
SECTION K-K
SCALE 40:1

NOTES:

- ① MATERIAL: 3/4 HD. BRASS ALLOY 260.
- ② PLATING: ELECTRODEPOSITED GOLD 50u"/1.27u IN CONTACT AREA, REMAINDER GOLD FLASH. UNDERPLATE 50u"/1.27u NICKEL
3. TERMINAL MAY BE USED WITH MINI LATCH HOUSING.
4. APPLICABLE SPECIFICATION:
A. BUS-12-098 PRODUCT SPECIFICATION.
B. TA-211 CRIMP SPECIFICATION.
5. PRODUCT MEETS EUROPEAN UNION DIRECTIVES AND OTHER COUNTRY REGULATIONS AS DESCRIBED IN GS-22-008.
6. THIS PRODUCT IS NOT INTENDED TO BE EXPOSED TO MANUFACTURING SOLDER PROCESSES.

mat'l. code SEE NOTE 1		surface	tolerance	projection	product family PV TERMINALS
ltr	ecn no	dr	date	tolerances unless otherwise specified	title
J				angles XX +.01/X+3 XXX +.005/XX+13	C.T.W. MALE PIN LOOSE PIECE
				0° ±2'	scale 10:1
		dr	L. SANDERS	1994-11-28	dwg no
		engr	T. HANNA	1994-11-28	sheet 2 of 2
		chr	T. BREWBAKER	1994-11-28	size
		appd	T. HANNA	1994-11-28	48115
sheet index	revision sheet				type CUSTOMER Drawing

X-ON Electronics

Largest Supplier of Electrical and Electronic Components

Click to view similar products for [Headers & Wire Housings](#) category:

Click to view products by [Amphenol](#) manufacturer:

Other Similar products are found below :

[892-18-020-10-001101](#) [58102-G61-06LF](#) [582553-1](#) [0009485154](#) [009176003701906](#) [0050291907](#) [LY20-4P-DT1-P1E-BR](#) [02.125.8002.8](#)
[609-3404](#) [61062-3](#) [622-0430](#) [622-3653LF](#) [63453-116](#) [636-1030](#) [636-1427](#) [636-3427](#) [636-4007](#) [641938-9](#) [641991-4](#) [644827-2](#) [65817-010LF](#)
[65817-015LF](#) [65863-015LF](#) [66207-023LF](#) [67095-007LF](#) [67601157](#) [68648-049](#) [70.362.1628.0](#) [70-4210](#) [70-4226B](#) [70-4853B](#) [707-5020](#) [707-5028](#) [71.350.2428.0](#) [71918-208LF](#) [71961-016LF](#) [733-134](#) [733-162](#) [754199-000](#) [760-3052](#) [787-8014-00](#) [79531-3000](#) [FCN-360C032-B](#) [FCN-367T-T012/H](#) [FCN-723D010/2](#) [80.063.4001.1](#) [800-90-001-10-001000](#) [800-90-010-10-002000](#) [801-43-002-10-013000](#) [801-43-006-10-002000](#)