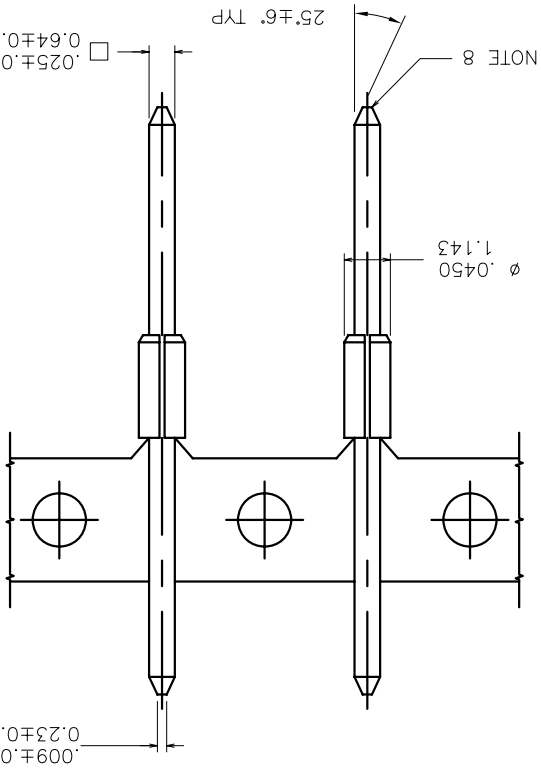


PLATING CODE	1	30µ" [0.76µ] Au	50µ" [1.27µ] Ni
	2	UNASSIGNED	50µ" [1.27µ] Ni
	3	50µ" [1.27µ] Au	50µ" [1.27µ] Ni
	4	THN LEAD OPTION 120µ" [3.05µ] 93/7 SMPB 100µ" [2.54µ] Sn LF OPTION (NOTE 13)	50µ" [1.27µ] Ni
	5	30µ" [0.76µ] GXT™	50µ" [1.27µ] Ni
	6	15µ" [0.38µ] GXT™	50µ" [1.27µ] Ni
	7	UNASSIGNED	
	8	UNASSIGNED	
	9	15µ" [0.38µ] Au	50µ" [1.27µ] Ni

DISCONTINUED

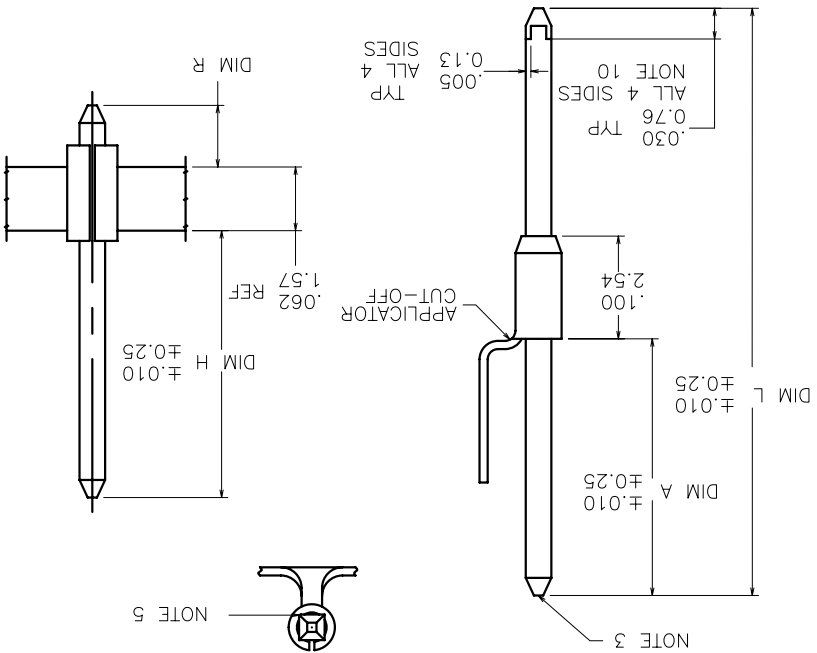


PRODUCT NUMBER  
SEE TABLE



Copyright FCI

mat'l code	SEE NOTE 1	
surface	ASME Y14.5	tolerance
tolerances unless otherwise specified	ASME Y14.5	tolerance
projection	INCH/MM	scale: 6:1
product family	BERGPOST® .200" [5.08] cc	
product family	PIN PRODUCTS	
title	WITHOUT RETENTION NICKS	
dwg no	48283	
type	CUSTOMER Drawing	
sheet	revision	index
R	V08-0379 HTB	1
R	2008-09-02	2
P	V06-0685 HTB	3
R	2006-07-26	4
N	V05-0387 HTB	5
R	2005-04-26	6
M	V92858 DLW	
L	V71494 HTB	
K	V60743 SAR	
J	V22754 JWB	



B

A

4

3

4

3

PRODUCT NUMBER	CONTACT AREA	DIM A	DIM H	OVERALL LENGTH	DIM L	DIM R	W/RETENTION NICKS CORRESPONDING P/N	PLATING CODE
48283-001	.308 / 7.82	.308 / 7.82	.328 / 8.33	.450 / 11.43	.060 / 1.52	47310-000	OBSOLETE	
48283-0011F	.308 / 7.82	.308 / 7.82	.358 / 9.09	.450 / 11.43	.060 / 1.52	47330-000 & 48084-000	1	
48283-0111F	.308 / 7.82	.358 / 9.09	.450 / 11.43	.450 / 11.43	.060 / 1.52	47330-000LF & 48084-000LF	1	
48283-012	.558 / 14.17	.578 / 14.68	.700 / 17.78	.060 / 1.52	48032-000	1		
48283-0121F	.558 / 14.17	.578 / 14.68	.700 / 17.78	.060 / 1.52	48032-000LF	1		
48283-013	.698 / 17.73	.718 / 18.24	.840 / 21.34	.060 / 1.52	47332-000	1		
48283-0131F	.698 / 17.73	.718 / 18.24	.840 / 21.34	.060 / 1.52	47332-000LF	1		
48283-014	SUPERCEDED BY 48283-059							
48283-015	.558 / 14.17	.578 / 14.68	1.210 / 30.73	.570 / 14.48	47334-000	1		
48283-0151F	.558 / 14.17	.578 / 14.68	1.210 / 30.73	.570 / 14.48	47334-000LF	1		
48283-016	.558 / 14.17	.578 / 14.68	1.400 / 35.56	.760 / 19.30	47335-000	1		
48283-0161F	.558 / 14.17	.578 / 14.68	1.400 / 35.56	.760 / 19.30	47335-000LF	1		
48283-017	.698 / 17.73	.718 / 18.24	1.485 / 37.72	.705 / 17.91	47336-000	1		
48283-0171F	.698 / 17.73	.718 / 18.24	1.485 / 37.72	.705 / 17.91	47336-000LF	1		
48283-018	.228 / 5.79	.248 / 6.30	.370 / 9.40	.060 / 1.52	47337-000LF	1		
48283-0181F	.228 / 5.79	.248 / 6.30	.370 / 9.40	.060 / 1.52	47337-000LF	1		

mat'l code	SEE NOTE 1
ecr no	
dr	
date	
tolerances unless otherwise specified	
surface	ASME Y14.5
tolerance	ASME Y14.5
projection	
product family	PIN PRODUCTS
title	
R	
angles	XX+01/X+3
flatness	XXX+005/XX+.13
0+/-2	XXXX+0020/XXX+051
df	S. RAMP 1989-07-11
eng'g	K.D. PATEL 1989-07-11
chr	K.D. PATEL 1989-07-11
app'd	K.D. PATEL 1989-07-11
revision	
sheet	
index	

sheet	
revision	
sheet	
index	
type	CUSTOMER Drawing
dwg no	48283
sheet 2 of 6 size	A4
BERGPOST® .200" [5.08] cc	
WITHOUT RETENTION NICKS	
scale	1:1
INCH/MM	
projection	
product family	PIN PRODUCTS
title	
R	
angles	XX+01/X+3
flatness	XXX+005/XX+.13
0+/-2	XXXX+0020/XXX+051
df	S. RAMP 1989-07-11
eng'g	K.D. PATEL 1989-07-11
chr	K.D. PATEL 1989-07-11
app'd	K.D. PATEL 1989-07-11
revision	
sheet	
index	

NOTES:

- MATERIAL: POST 3/4 HARD BRONZE ASTM B-159-66, FERRULE 1/2 HARD CARTRIDGE BRASS ASTM B-36-67. CENTER LINE OF THE TERMINAL MUST BE IN THE TRUE POSITION IN RESPECT TO THE .015 [0.38] DIA AFTER INSERTION IN PC BOARD.
- BURNISH MARKS ON PINS PERMITTED.
- TWO SIDES OF LEAD-IN NOT PLATED, TYP. BOTH ENDS.
- R.002 [0.05] MAX TYP ON WIRE WRAP PORTION OF POST.
- POST TO FERRULE RETENTION 8 LBS MIN BEFORE STAKING.
- POST IS BONDED TO FERRULE.
- FLAT MAY GO TO .016 [0.41] MAX WHEN DIM "R" IS UNDER .20 [5.1].
- .015 [0.38] MAX SOLDER PERMISSIBLE ABOVE AND BELOW THE FERRULE ON THE SURFACE OF THE PIN.
- SOLDER SPOTS PERMISSIBLE .030 [0.76] FROM END BELOW FERRULE ONLY.
- SEE PRODUCT SPECIFICATION BUS-12-040 FOR P.C. BOARD HOLE DIAMETER AND P.C. BOARD HOLE PLATING INFORMATION.
- ADD AN LF SUFFIX TO PART NUMBERS FOR PRODUCT THAT MEETS EUROPEAN UNION DIRECTIVES AND OTHER COUNTRY REGULATIONS AS DESCRIBED IN GS-22-008. PLATING CODE 4 AVAILABLE AS LF (TIN) ONLY.
- THIS PRODUCT HAS 100% TIN PLATING IN THE INTERFACE AND HAS NOT BEEN TESTED FOR WHISKER GROWTH IN ALL INTERCONNECT ENVIRONMENTS.



PRODUCT NUMBER	CONTACT AREA	DIM A	DIM H	OVERALL LENGTH	DIM L	DIM R	W/RETENTION NICKS	PLATING CODE
48283-019	.558 / 14.17	.578 / 14.68	.880 / 22.35	.240 / 6.10	47338-000	1		1
48283-0191F	.558 / 14.17	.578 / 14.68	.880 / 22.35	.240 / 6.10	47338-000LF	1		1
48283-020	.380 / 9.65	.400 / 10.16	.522 / 13.26	.060 / 1.52	47340-000	3		3
48283-0201F	.380 / 9.65	.400 / 10.16	.522 / 13.26	.060 / 1.52	47340-000LF	3		3
48283-021	.520 / 13.21	.540 / 13.72	.662 / 16.81	.060 / 1.52	47341-000	3		3
48283-0211F	.520 / 13.21	.540 / 13.72	.662 / 16.81	.060 / 1.52	47341-000LF	3		3
48283-022	.380 / 9.65	.400 / 10.16	.772 / 19.61	.320 / 8.13	47342-000	3		3
48283-0221F	.380 / 9.65	.400 / 10.16	.772 / 19.61	.320 / 8.13	47342-000LF	3		3
48283-023	.520 / 13.21	.540 / 13.72	.912 / 23.16	.320 / 8.13	47343-000	3		3
48283-0231F	.520 / 13.21	.540 / 13.72	.912 / 23.16	.320 / 8.13	47343-000LF	3		3
48283-024	.380 / 9.65	.400 / 10.16	.522 / 13.26	.060 / 1.52	47344-000	3		3
48283-0241F	.380 / 9.65	.400 / 10.16	.522 / 13.26	.060 / 1.52	47344-000LF	3		3
48283-025	.520 / 13.21	.540 / 13.72	.662 / 16.81	.060 / 1.52	47345-000	4		4
48283-0251F	.520 / 13.21	.540 / 13.72	.662 / 16.81	.060 / 1.52	47345-000LF	4		4
48283-026	.380 / 9.65	.400 / 10.16	.772 / 19.61	.320 / 8.13	47346-000	4		4
48283-0261F	.380 / 9.65	.400 / 10.16	.772 / 19.61	.320 / 8.13	47346-000LF	4		4
48283-027	.520 / 13.21	.540 / 13.72	.912 / 23.16	.320 / 8.13	47347-000	3		3
48283-0271F	.520 / 13.21	.540 / 13.72	.912 / 23.16	.320 / 8.13	47347-000LF	3		3
48283-028	.228 / 5.79	.248 / 6.30	.550 / 13.97	.240 / 6.10	47349-000	3		3
48283-0281F	.228 / 5.79	.248 / 6.30	.550 / 13.97	.240 / 6.10	47349-000LF	3		3
48283-029	.323 / 8.20	.343 / 8.71	.463 / 11.76	.058 / 1.47	47350-000	3		3
48283-0291F	.323 / 8.20	.343 / 8.71	.463 / 11.76	.058 / 1.47	47350-000LF	3		3
48283-030	.573 / 14.55	.593 / 15.06	.715 / 18.16	.060 / 1.52	47351-000	3		3
48283-0301F	.573 / 14.55	.593 / 15.06	.715 / 18.16	.060 / 1.52	47351-000LF	3		3
48283-031	.698 / 17.73	.718 / 18.24	.840 / 21.34	.060 / 1.52	47352-000	3		3
48283-0311F	.698 / 17.73	.718 / 18.24	.840 / 21.34	.060 / 1.52	47352-000LF	3		3
48283-032	.763 / 19.38	.783 / 19.89	.905 / 22.99	.060 / 1.52	47353-000	3		3
48283-0321F	.763 / 19.38	.783 / 19.89	.905 / 22.99	.060 / 1.52	47353-000LF	3		3
48283-033	.573 / 14.55	.593 / 15.06	1.240 / 31.50	.585 / 14.86	47354-000	3		3
48283-0331F	.573 / 14.55	.593 / 15.06	1.240 / 31.50	.585 / 14.86	47354-000LF	3		3
48283-034	.573 / 14.55	.593 / 15.06	1.430 / 36.32	.775 / 19.69	47355-000	3		3
48283-0341F	.573 / 14.55	.593 / 15.06	1.430 / 36.32	.775 / 19.69	47355-000LF	3		3
48283-035	.698 / 17.73	.718 / 18.24	1.485 / 37.72	.705 / 17.91	47356-000	3		3
48283-0351F	.698 / 17.73	.718 / 18.24	1.485 / 37.72	.705 / 17.91	47356-000LF	3		3

mat'l code	SEE NOTE 1	date	dr	ecn no	tr
surface	ASME Y14.5	tolerance unless otherwise specified	projection	product family	PIN PRODUCTS
angles	XX*01/X*3	INCH/MM	BERGPOST® .200" [5.08] cc	WITHOUT RETENTION NICKS	sheet 3 of 6 size
0°±.2°	XXXX*0020/XXX*051	scale 1:1	FCI	48283	A4
appd	K.D. PATEL	1989-07-11	chf	K.D. PATEL	1989-07-11
engr	K.D. PATEL	1989-07-11	df	S. RAMP	1989-07-11
revision	sheet	index	revision	sheet	index

4

A

4

3

3

2

FCIconnect.com



Copyright FCI

PRODUCT NUMBER NOTE 12	CONTACT AREA DIM A	DIM H	OVERALL LENGTH DIM L	DIM R	CORRESPONDING P/N W/RETENTION NICKS	PLATING CODE
48283-036	.228 / 5.79	.248 / 6.30	.370 / 9.40	.060 / 1.52	47357-000	3
48283-036LF	.228 / 5.79	.248 / 6.30	.370 / 9.40	.060 / 1.52	47357-000LF	3
48283-037	.573 / 14.55	.593 / 15.06	.895 / 22.73	.240 / 6.10	47358-000	3
48283-037LF	.573 / 14.55	.593 / 15.06	.895 / 22.73	.240 / 6.10	47358-000LF	3
48283-038	.448 / 11.38	.468 / 11.89	.590 / 14.99	.060 / 1.52	47359-000	3
48283-038LF	.448 / 11.38	.468 / 11.89	.590 / 14.99	.060 / 1.52	47359-000LF	3
48283-039	.485 / 12.32	.505 / 12.83	.960 / 24.38	.393 / 9.98	47600-000	3
48283-039LF	.485 / 12.32	.505 / 12.83	.960 / 24.38	.393 / 9.98	47600-000LF	3
48283-040	.380 / 9.65	.400 / 10.16	.522 / 13.26	.060 / 1.52	47762-000	3
48283-040LF	.380 / 9.65	.400 / 10.16	.522 / 13.26	.060 / 1.52	47762-000LF	3
48283-041	.583 / 14.81	.603 / 15.32	1.000 / 25.40	.335 / 8.51	47799-000	3
48283-041LF	.583 / 14.81	.603 / 15.32	1.000 / 25.40	.335 / 8.51	47799-000LF	3
48283-042	.520 / 13.21	.540 / 13.72	.912 / 23.16	.320 / 8.13	47800-000	3
48283-042LF	.520 / 13.21	.540 / 13.72	.912 / 23.16	.320 / 8.13	47800-000LF	3
48283-043	.558 / 14.17	.578 / 14.68	.700 / 17.78	.060 / 1.52	47804-000	3
48283-043LF	.558 / 14.17	.578 / 14.68	.700 / 17.78	.060 / 1.52	47804-000LF	3
48283-044	.615 / 15.62	.628 / 15.95	1.010 / 25.65	.320 / 8.13	47816-000	3
48283-044LF	.615 / 15.62	.628 / 15.95	1.010 / 25.65	.320 / 8.13	47816-000LF	3
48283-045	.323 / 8.20	.343 / 8.71	.465 / 11.81	.060 / 1.52	47824-000	OBSOLETE
48283-045LF	.323 / 8.20	.343 / 8.71	.465 / 11.81	.060 / 1.52	47824-000LF	4
48283-046	.583 / 14.81	.603 / 15.32	1.075 / 27.31	.410 / 10.41	48031-000	1
48283-046LF	.583 / 14.81	.603 / 15.32	1.075 / 27.31	.410 / 10.41	48031-000LF	1
48283-047	.240 / 6.10	.260 / 6.60	.732 / 18.59	.410 / 10.41	48034-000	1
48283-047LF	.240 / 6.10	.260 / 6.60	.732 / 18.59	.410 / 10.41	48034-000LF	1
48283-048	.390 / 9.91	.410 / 10.41	1.075 / 27.31	.603 / 15.32	48033-000	1
48283-048LF	.390 / 9.91	.410 / 10.41	1.075 / 27.31	.603 / 15.32	48033-000LF	1
48283-049	.380 / 9.65	.400 / 10.16	.710 / 18.03	.248 / 6.30	47998-000	3
48283-049LF	.380 / 9.65	.400 / 10.16	.710 / 18.03	.248 / 6.30	47998-000LF	3
48283-050	.308 / 7.82	.328 / 8.33	.450 / 11.43	.060 / 1.52	48004-000LF	4
48283-050LF	.308 / 7.82	.328 / 8.33	.450 / 11.43	.060 / 1.52	48004-000	OBSOLETE
48283-051	.630 / 16.00	.650 / 16.51	1.122 / 28.50	.410 / 10.41	48035-000	1
48283-051LF	.630 / 16.00	.650 / 16.51	1.122 / 28.50	.410 / 10.41	48035-000LF	1
48283-052	.390 / 9.91	.410 / 10.41	1.122 / 28.50	.650 / 16.51	48036-000	1
48283-052LF	.390 / 9.91	.410 / 10.41	1.122 / 28.50	.650 / 16.51	48036-000LF	1
48283-053	.255 / 6.48	.275 / 6.99	.772 / 19.61	.435 / 11.05	48008-000	3
48283-053LF	.255 / 6.48	.275 / 6.99	.772 / 19.61	.435 / 11.05	48008-000LF	3

mat'l code	SEE NOTE 1	ecn no	dr	date	tolerances unless otherwise specified	ASME Y14.5	projection	product family	PIN PRODUCTS
surface	ASME Y14.5	angles	XX+01/X+3	0±.2°	tolerances unless otherwise specified	ASME Y14.5	projection	product family	PIN PRODUCTS
INCH/MM	XX+05/XX+13	angles	XX+01/X+3	0±.2°	tolerances unless otherwise specified	ASME Y14.5	projection	product family	PIN PRODUCTS
SCALE	XXXX+0020/XXX+051	angles	XX+01/X+3	0±.2°	tolerances unless otherwise specified	ASME Y14.5	projection	product family	PIN PRODUCTS
dwg no	48283	sheet no	4 of 6	size	A4	customer drawing	type	CUSTOMER DRAWING	
revision	sheet	index	revision	sheet	index	revision	sheet	index	revision



Copyright FCI

FCIconnect.com

PRODUCT NUMBER	CONTACT AREA	DIM A	DIM H	OVERALL LENGTH	DIM R	CORRESPONDING P/N W/RETENTION NICKS
48283-054	.255 / 6.48	.275 / 6.99	.642 / 16.31	.305 / 7.75	48009-000	
48283-054FL	.255 / 6.48	.275 / 6.99	.642 / 16.31	.305 / 7.75	48009-000LF	
48283-055	.651 / 16.54	.671 / 17.04	.793 / 20.14	.060 / 1.52	48010-000	
48283-055FL	.651 / 16.54	.671 / 17.04	.793 / 20.14	.060 / 1.52	48010-000LF	
48283-056	.500 / 12.70	.520 / 13.21	.640 / 16.26	.058 / 1.47	48011-000	
48283-056FL	.500 / 12.70	.520 / 13.21	.640 / 16.26	.058 / 1.47	48011-000LF	
48283-057	.250 / 6.35	.270 / 6.86	.572 / 14.53	.240 / 6.10	48019-000	
48283-057FL	.250 / 6.35	.270 / 6.86	.572 / 14.53	.240 / 6.10	48019-000LF	
48283-058	.250 / 6.35	.270 / 6.86	.390 / 9.91	.058 / 1.47	48020-000	
48283-058FL	.250 / 6.35	.270 / 6.86	.390 / 9.91	.058 / 1.47	48020-000LF	
48283-059	.750 / 19.05	.770 / 19.56	.892 / 22.66	.060 / 1.52	48021-000	
48283-059FL	.750 / 19.05	.770 / 19.56	.892 / 22.66	.060 / 1.52	48021-000LF	
48283-060	.380 / 9.65	.400 / 10.16	.880 / 22.35	.418 / 10.62	48022-000	
48283-060FL	.380 / 9.65	.400 / 10.16	.880 / 22.35	.418 / 10.62	48022-000LF	
48283-061	.280 / 7.11	.300 / 7.62	.552 / 14.02	.190 / 4.83	48028-000	
48283-061FL	.280 / 7.11	.300 / 7.62	.552 / 14.02	.190 / 4.83	48028-000LF	
48283-062	.338 / 8.59	.358 / 9.09	.478 / 12.14	.058 / 1.47	48042-000	
48283-062FL	.338 / 8.59	.358 / 9.09	.478 / 12.14	.058 / 1.47	48042-000LF	
48283-063	.250 / 6.35	.270 / 6.86	.650 / 16.51	.318 / 8.08	48087-000	
48283-063FL	.250 / 6.35	.270 / 6.86	.650 / 16.51	.318 / 8.08	48087-000LF	
48283-064	.228 / 5.79	.248 / 6.30	.550 / 13.97	.240 / 6.10	48089-000	
48283-064FL	.228 / 5.79	.248 / 6.30	.550 / 13.97	.240 / 6.10	48089-000LF	
48283-065	.380 / 9.65	.400 / 10.16	.960 / 24.38	.498 / 12.65	48114-000	
48283-065FL	.380 / 9.65	.400 / 10.16	.960 / 24.38	.498 / 12.65	48114-000LF	
48283-066	.698 / 17.73	.718 / 18.24	1.000 / 25.40	.225 / 5.72	48122-000	
48283-066FL	.698 / 17.73	.718 / 18.24	1.000 / 25.40	.225 / 5.72	48122-000LF	
48283-067	.698 / 17.73	.718 / 18.24	1.000 / 25.40	.225 / 5.72	48179-000	
48283-067FL	.698 / 17.73	.718 / 18.24	1.000 / 25.40	.225 / 5.72	48179-000LF	
48283-067L	.755 / 19.18	.775 / 19.69	1.260 / 32.00	.420 / 10.67	48179-000LF	
48283-068	.228 / 5.79	.248 / 6.30	.368 / 9.35	.058 / 1.47	48206-000	
48283-068FL	.228 / 5.79	.248 / 6.30	.368 / 9.35	.058 / 1.47	48206-000LF	
48283-069	.280 / 7.11	.300 / 7.62	.552 / 14.02	.190 / 4.83	48267-000	
48283-069FL	.280 / 7.11	.300 / 7.62	.552 / 14.02	.190 / 4.83	48267-000LF	
48283-070	.500 / 12.70	.520 / 13.21	.640 / 16.26	.058 / 1.47	48277-000	
48283-070FL	.500 / 12.70	.520 / 13.21	.640 / 16.26	.058 / 1.47	48277-000LF	

mat'l code	SEE NOTE 1	date	dr	ecn no	tr
surface	tolerances unless otherwise specified	ASME Y14.5	projection	product family	PIN PRODUCTS
angles	XX*01/X*3	INCH/MM	BERGPOST® .200" [5.08] cc	WITHOUT RETENTION NICKS	sheet 5 of 6 size
0°±.2°	XXXX*0020/XXX*051	scale 1:1	FCI	48283	A4
appd	T. BREWBAKER	2008-09-03	type	CUSTOMER Drawing	index
chf	T. BREWBAKER	2008-09-03	revision	sheet	revision
eng	T. BREWBAKER	2008-09-03	sheet	revision	revision
dr	T. BREWBAKER	2008-09-03	sheet	revision	revision



PRODUCT NUMBER NOTE 12	DIM A CONTACT AREA	DIM H DIM H	OVERALL LENGTH DIM L	DIM R CORRESPONDING P/N W/RETENTION NICKS	PLATING CODE
48283-071	.573 / 14.55	.593 / 15.06	.895 / 22.73	.240 / 6.10	48081-000
48283-071LF	.573 / 14.55	.593 / 15.06	.895 / 22.73	.240 / 6.10	48081-000LF
48283-072	.400 / 10.16	.420 / 10.67	.920 / 23.37	.410 / 10.41	48217-000
48283-072LF	.400 / 10.16	.420 / 10.67	.920 / 23.37	.410 / 10.41	48217-000LF
48283-073	.630 / 16.00	.650 / 16.51	.700 / 17.78	.058 / 1.47	48218-000
48283-073LF	.630 / 16.00	.650 / 16.51	.700 / 17.78	.058 / 1.47	48218-000LF
48283-074	.583 / 14.81	.603 / 15.32	1.075 / 27.31	.410 / 10.41	48219-000
48283-074LF	.583 / 14.81	.603 / 15.32	1.075 / 27.31	.410 / 10.41	48219-000LF
48283-075	.558 / 14.17	.578 / 14.68	.700 / 17.78	.060 / 1.52	48220-000
48283-075LF	.558 / 14.17	.578 / 14.68	.700 / 17.78	.060 / 1.52	48220-000LF
48283-076	.390 / 9.91	.410 / 10.41	1.075 / 27.31	.603 / 15.32	48221-000
48283-076LF	.390 / 9.91	.410 / 10.41	1.075 / 27.31	.603 / 15.32	48221-000LF
48283-077	.240 / 6.10	.260 / 6.60	.732 / 18.59	.410 / 10.41	48222-000
48283-077LF	.240 / 6.10	.260 / 6.60	.732 / 18.59	.410 / 10.41	48222-000LF
48283-078	.630 / 16.00	.650 / 16.51	1.122 / 28.50	.410 / 10.41	48223-000
48283-078LF	.630 / 16.00	.650 / 16.51	1.122 / 28.50	.410 / 10.41	48223-000LF
48283-079	.390 / 9.91	.410 / 10.41	1.122 / 28.50	.650 / 16.51	48224-000
48283-079LF	.390 / 9.91	.410 / 10.41	1.122 / 28.50	.650 / 16.51	48224-000LF
48283-080	.308 / 7.82	.328 / 8.33	.450 / 11.43	.060 / 1.52	48225-000
48283-080LF	.308 / 7.82	.328 / 8.33	.450 / 11.43	.060 / 1.52	48225-000LF
48283-081	.400 / 10.16	.420 / 10.67	.892 / 22.66	.410 / 10.41	48226-000
48283-081LF	.400 / 10.16	.420 / 10.67	.892 / 22.66	.410 / 10.41	48226-000LF
48283-082	.630 / 16.00	.650 / 16.51	.770 / 19.56	.058 / 1.47	48227-000
48283-082LF	.630 / 16.00	.650 / 16.51	.770 / 19.56	.058 / 1.47	48227-000LF
48283-083	.630 / 16.00	.650 / 16.51	1.122 / 28.50	.410 / 10.41	48228-000
48283-083LF	.630 / 16.00	.650 / 16.51	1.122 / 28.50	.410 / 10.41	48228-000LF
48283-084	.630 / 16.00	.650 / 16.51	1.122 / 28.50	.410 / 10.41	48265-000
48283-084LF	.630 / 16.00	.650 / 16.51	1.122 / 28.50	.410 / 10.41	48265-000LF
48283-085	.573 / 14.55	.593 / 15.06	.895 / 22.73	.240 / 6.10	48278-000
48283-085LF	.573 / 14.55	.593 / 15.06	.895 / 22.73	.240 / 6.10	48278-000LF
48283-086	.345 / 8.76	.355 / 9.02	.662 / 16.81	.245 / 6.22	48312-000
48283-086LF	.345 / 8.76	.355 / 9.02	.662 / 16.81	.245 / 6.22	48312-000LF
48283-087	.323 / 8.20	.343 / 8.71	.463 / 11.76	.058 / 1.47	48350-000
48283-087LF	.323 / 8.20	.343 / 8.71	.463 / 11.76	.058 / 1.47	48350-000LF

mat'l code	SEE NOTE 1	date	dr	ecn no	tr
surface	tolerances unless otherwise specified	ASME Y14.5	projection	product family	PIN PRODUCTS
angles	XX+01/X+3	INCH/MM	BERGPOST® .200" [5.08] cc	WITHOUT RETENTION NICKS	sheet 6 of 6 size
0±.2°	XXXX+0020/XXX+051	scale 1:1	FCI	48283	A4
appd	T. BREWBAKER 2008-09-03	type	CUSTOMER Drawing	index	revision
chf	T. BREWBAKER 2008-09-03	dwg no	48283	sheet	revision
eng	T. BREWBAKER 2008-09-03	sheet 6 of 6 size	A4	index	revision
dr	T. BREWBAKER 2008-09-03	customer drawing	CUSTOMER Drawing	index	revision



## X-ON Electronics

Largest Supplier of Electrical and Electronic Components

*Click to view similar products for [Terminals](#) category:*

*Click to view products by [Amphenol](#) manufacturer:*

Other Similar products are found below :

[HT-13-10](#) [71M-250-32-NB](#) [01-2065-1-0216](#) [00581P0075](#) [M10-10RX](#) [M10BCK](#) [60205-1](#) [604200-1](#) [60598-1-CUT-TAPE](#) [60617-1-C](#) [60873-1](#) [M14-516R/SK](#) [M14-6RSX](#) [M18-10FLX](#) [M18-8FBX](#) [M18-8R/LX](#) [M18BCK](#) [61314-6-C](#) [61-S](#) [61-SN-A](#) [62149-1](#) [62-NBM-A](#) [63-S](#) [640179-1](#) [640917-2-CUT-TAPE](#) [6501550002](#) [66107-2-C](#) [66107-4-C](#) [696683-1](#) [696834-1](#) [696861-1](#) [696931-1](#) [696999-1](#) [M8-516RK](#) [M86700006](#) [MA250DMFMX-A](#) [701-2007](#) [701-2307](#) [701-7761-03](#) [70F-110-32-PB](#) [718-N-A](#) [71M-187-20-NBL](#) [71M-250-32-NBL](#) [72F-187-20-NBL](#) [72M-250-32-NBL](#) [7310](#) [73F-250-32](#) [73F-250-32-NBL](#) [73F-250-32-NL](#) [F-1M](#)