

5

4

3

2

1

SPECIFICATIONS

ELECTRICAL

FREQUENCY _____ DC-18 GHz

ATTENUATION ACCURACY _____ ±0.75 dB GOAL
0, 3, 6, 10, 20 & 30dB

VSWR _____ 1.25:1 GOAL, 1.35:1 MAX

POWER _____ 1W

OPERATING TEMPERATURE RANGE _____ 4 KELVIN TO +125°C

MECHANICAL

HOUSING _____ C101 COPPER, GOLD PLATED WITH WHITE BRONZE UNDERPLATE (NO NICKEL)

CONTACT _____ BERYLLIUM COPPER, GOLD PLATED IAW MIL-PRF-39012

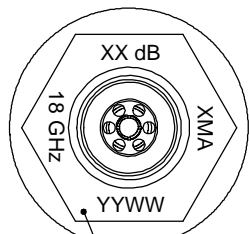
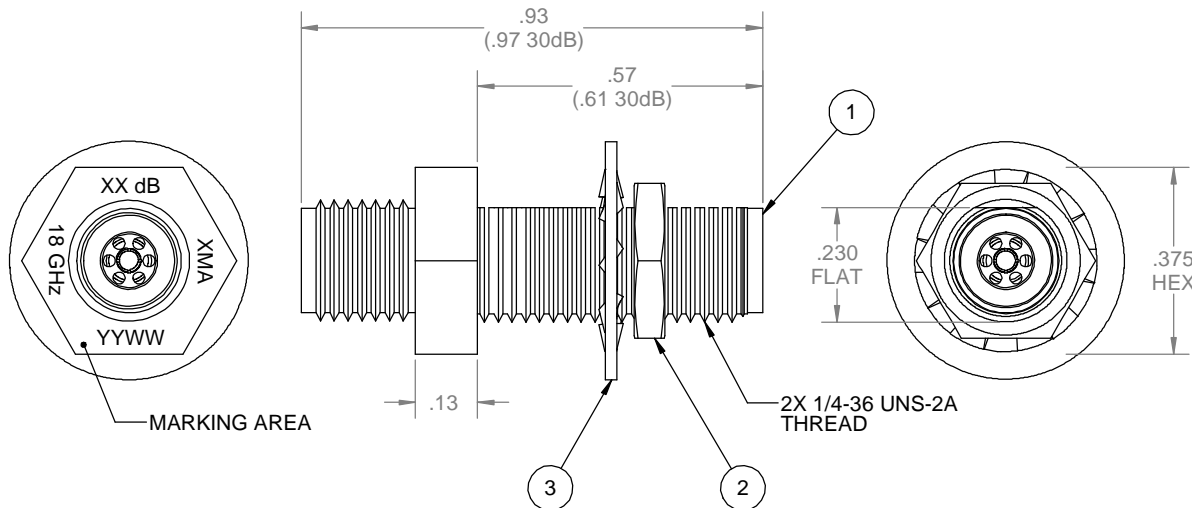
TORQUE _____ 7-10 in/lbs

RoHS COMPLIANT DEVICE

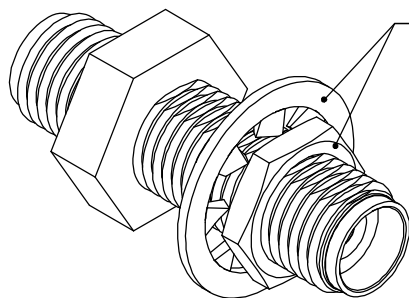
MARKING:

PART LOOKS LIKE PRODUCT IMAGE ABOVE.
PART MARKING ORIENTATION AND FORMAT AS SHOWN.
REPLACE XX WITH APPROPRIATE SINGLE OR DOUBLE DIGIT dB VALUE.
MARKING TO BE AS LARGE AS POSSIBLE, CLEAR, READABLE.
YYWW EQUALS DATE CODE.

REVISIONS				
REV	DESCRIPTION	ECO #	DATE	APPROVED
-	INITIAL RELEASE	18-171	11/16/18	T.KUHN
A	ADDED WASHER AND NUT	19-104	9/18/19	T.KUHN
B	REVISED WASHER AND NUT	20-155	10/5/20	MES
C	ADDED NUT & WASHER PKG NOTE	20-052	4/13/21	CM



MARKING AREA



HARDWARE SHALL BE PACKAGED SEPARATELY IN THEIR OWN BAGS.

QTY.	PART NUMBER	DESCRIPTION	ITEM NO.
X	4880-5523-dB-CRYO	ATTENUATOR, 2.92mm-f, DC-18 GHz, 1W	
1	TA-4880-5523-dBU-CRYO	ASSY, ATTENUATOR, 2.92mm-f, DC-18 GHz, 1W, UNMARKED	1
1	5002-14-0153	JAM NUT	2
1	5040-28-0153	INTERNAL TOOTH LOCK WASHER	3

DRAWING PRACTICES PER ANSI-Y-14.5 MIL-STD-100 & 1000

DIMENSIONS ARE IN INCHES AND APPLY BEFORE / AFTER PROCESSING

SURFACE ROUGHNESS μ INCHES 63

FINISH:

SEE NOTES

MATERIAL:

SEE NOTES

NOTE: THIS DRAWING INCORPORATES THIRD ANGLE PROJECTION.

INTERPRET IAW ANSI Y14.5-1982

UNLESS OTHERWISE SPECIFIED TOLERANCES IN:

DECIMALS	INCH	[MM]
.X*	.05"	[1.27]
.XX*	.03"	[.76]
.XXX*	.010"	[.25]

ANGLES ±0°30'
REMOVE ALL BURRS/SHARP W/
BREAK / R OF .003" TO .0005"
UNLESS OTHERWISE NOTED
DIAS CONCENTRIC <.003 T.I.R.

DO NOT SCALE PRINT

DRAWN DATE

MCCORMICK 8/27/18

CHECKED DATE

MCCORMICK 8/27/18

ENG. APPR. DATE

T.KUHN 8/27/18

THESE DRAWINGS AND SPECIFICATIONS ARE THE PROPERTY OF XMA CORP. OR OMNI SPECTRA AND SHALL NOT BE REPRODUCED, COPIED NOR USED - IN WHOLE OR IN PART - AS A BASIS FOR THE MANUFACTURE OR SALE OF OTHER ITEMS WITHOUT THE EXPRESS WRITTEN PERMISSION OF XMA CORP.



Phone: 603-222-2256 Fax: 603-222-2259 7 Perimeter Road, Manchester, NH 03103

TITLE

ATTENUATOR, 2.92mm-f, DC-18 GHz, 1W

SIZE	CAGE CODE	DRAWING NUMBER	REV
B	3HT76	4880-5523-dB-CRYO	C
SCALE	PLATED AREA SQ. IN	SHEET 1 OF 1	

5

4

3

2

1

X-ON Electronics

Largest Supplier of Electrical and Electronic Components

Click to view similar products for [Attenuators - Interconnects](#) category:

Click to view products by [Amphenol](#) manufacturer:

Other Similar products are found below :

[R414701000](#) [R411800121](#) [R413840115](#) [ATT-523F-05-SMA-02](#) [R413305000](#) [R411808121](#) [R412501124](#) [R414702000](#) [ATP8-10006KV](#)
[R414705000](#) [R411710124](#) [R410220121](#) [CT3369A-20](#) [09AS102-K40S3](#) [R411802000](#) [ATT-263F-03-SMA-02](#) [R417320130](#) [R412508124](#)
[R417030110](#) [ATT-523F-12-SMA-02](#) [ATT-263F-06-SMA-02](#) [ATT-0263-22-SMA-02](#) [ATT-263F-10-SMA-02](#) [ATT-523F-10-SMA-02](#)
[R422030020](#) [R422020030](#) [R417506130](#) [ATT-0263-25-SMA-02](#) [R413810000](#) [R411810124](#) [R413803000](#) [R417330110](#) [ATT-0290-02-HEX-](#)
[02](#) [R415603000](#) [R415620000](#) [R415606000](#) [R415610000](#) [ATT-0290-00-SMA-02](#) [AT-130V](#) [CATTEN-05R0-BNC](#) [CATTEN-04R0-BNC](#)
[6620_SMA-50-1/199_NE](#) [6630_SMA-50-2/199_NE](#) [CATTEN-06R0-BNC](#) [ATT-0294-02-SMA-02](#) [ATT-0298-06-HEX-02](#) [6610_SMA-50-](#)
[2/199_NE](#) [6605_SMA-50-1/199_NE](#) [6820.17.A](#) [6803.17.B](#)