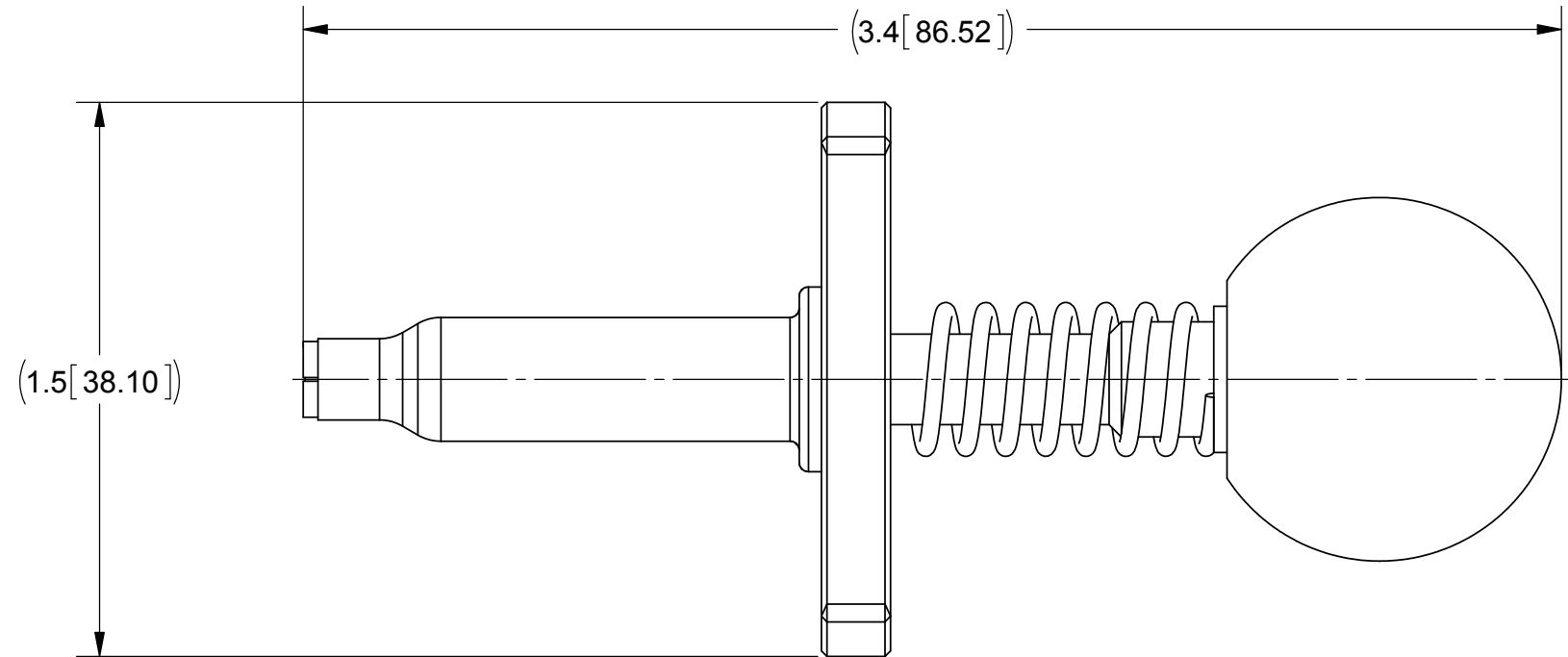
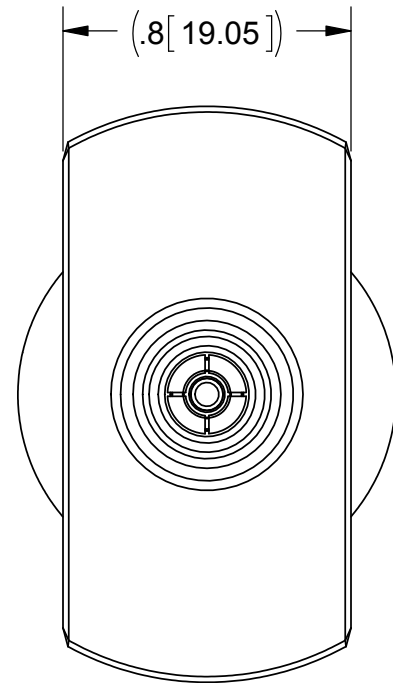


PRODUCT DATA DRAWING

REVISION HISTORY			
REV	DESCRIPTION	DATE	APPROVED
-	DCN 38041	02/11	STW
A	REV. DCN 38604	10/13/11	STW
B	REV. DCN 39055	05/07/12	STW



MATERIAL:

SHAFT, TIP & TUBE: STAINLESS STEEL PER ASTM A564, ALLOY UNS S17400, TYPE 630, COND. A

FINGER GRIP: BRASS PER ASTM B16, ALLOY UNS No. C36000

COLLET: BERYLLIUM COPPER PER ASTM B196, ALLOY No. UNS C17300, TD04

COMPRESSION SPRING : STAINLESS STEEL PER ASTM A313, TYPE 302

KNOB: PLASTIC

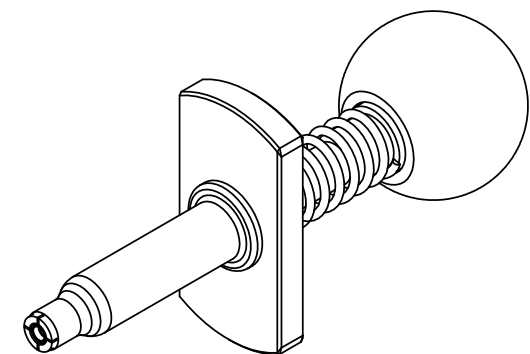
FINISH:

COLLET: NICKEL PER SAE AMS 2404, CLASS 1

FINGER GRIP: NICKEL PER AMS-QQ-N-290

SHAFT, TIP & TUBE: PASSIVATED PER AMS-2700

COMPRESS TO OPEN COLLET, RELEASE TO CLOSE COLLET, PULL TO REMOVE BULLET



MATERIAL: SEE NOTES	DIMENSIONS ARE IN INCHES TOLERANCES: FRACTIONAL: ±1/64 ANGULAR: X° ±1'0" X'X' ±15'	UNLESS OTHERWISE SPECIFIED 1) ALL DIMENSIONS ARE IN INCHES (MILLIMETERS) 2) ALL DIMENSIONS ARE AFTER PLATING. 3) BREAK CORNERS & EDGES .005 R. MAX. 4) CHAM. 1ST & LAST THREADS. 5) SURFACE ROUGHNESS 63-MIL-STD-10. 6) DIA. 'S ON COMMON CENTERS TO BE CONCENTRIC WITHIN .005 T.I.R. 7) REMOVE ALL BURRS	SV Microwave, Inc. 2400 Centrepark West Drive, Suite 100 West Palm Beach, FL 33409
FINISH: SEE NOTES	DECIMAL: .X ±.030 .XX ±.010 .XXX ±.005	INTERPRET DIMENSIONS AND TOLERANCES PER ASME Y14.5M - 1994	TITLE: SMP BULLET REMOVAL TOOL
SURFACE AREA: N/A	THIRD ANGLE PROJECTION	DRAWN: FED 02/28/11	SIZE: B CAGE CODE: 95077 DWG. NO. 500-12-000
PROPRIETARY THE INFORMATION CONTAINED IN THIS DRAWING IS THE SOLE PROPERTY OF SV MICROWAVE, INC. ANY REPRODUCTION IN PART OR AS A WHOLE WITHOUT THE WRITTEN PERMISSION OF SV MICROWAVE, INC IS PROHIBITED.		CHECKED: STW 02/28/11	SCALE: 2:1
		APPROVED: STW 02/28/11	SHEET 1 OF 1

X-ON Electronics

Largest Supplier of Electrical and Electronic Components

Click to view similar products for [RF Connector Tools](#) category:

Click to view products by [Amphenol](#) manufacturer:

Other Similar products are found below :

[R282744011](#) [R282744220](#) [R282120010](#) [4-1532129-0](#) [6-1337482-0](#) [R282730040](#) [R282743120](#) [R282744100](#) [23W100-000](#) [23W101-000](#) [227-1497](#) [R282589210](#) [R282967015](#) [R282918210](#) [GK-S600TT](#) [GK-S240TT](#) [GK-S900TT](#) [CS24-1](#) [500-32-015](#) [W1W005-000](#) [W1W001-000](#)
[500-32-004](#) [500-38-002](#) [500-32-008](#) [227-T2000](#) [500-12-019](#) [500-32-007](#) [500-32-022](#) [500-38-004](#) [500-38-006](#) [500-38-008](#) [500-80-014](#)
[D.FL75-LP-N](#) [CAS-BNC-T](#) [R282868280](#) [19W002-000](#) [6006330101](#) [1055454-1](#) [GK-S400TT](#) [500-12-000](#) [X.FL-LP-IN.OUT1](#) [500-32-010](#)
[W1W002-000](#) [RFMODE1.5](#) [CS10](#) [CS12](#) [CS14](#) [CS16](#) [CS20](#) [CS32](#)