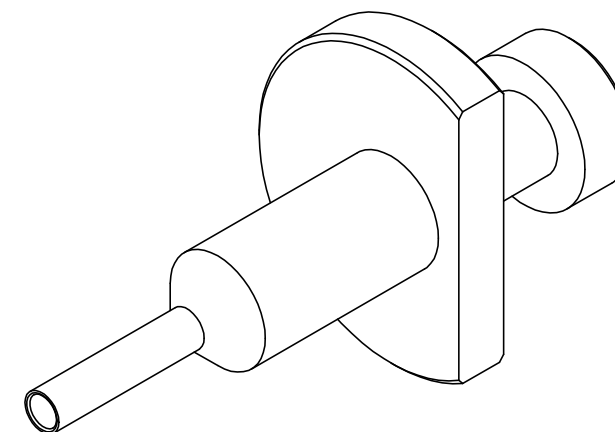
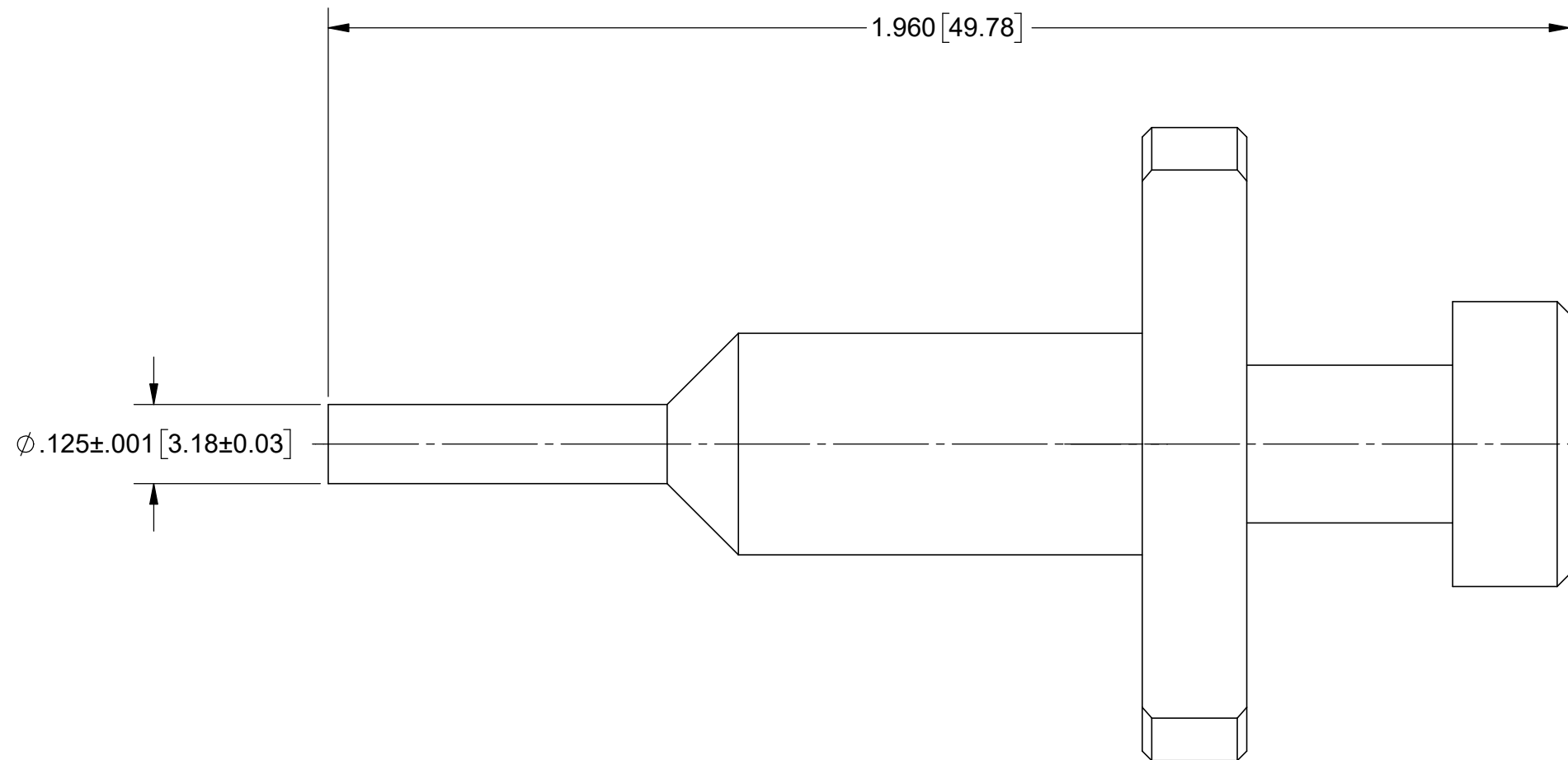


PRODUCT DATA DRAWING

REVISION HISTORY			
REV	DESCRIPTION	DATE	APPROVED
-	DCN 49087	06/19	JDT



MATERIAL:

BODY: STAINLESS STEEL PER ASTM A630, ALLOY UNS S17400, CONDITION A.

PUSH ROD & PLUNGER: STAINLESS STEEL PER AMS-5640, ALLOY UNS S30300, TYPE 1

SPRING: MUSIC WIRE


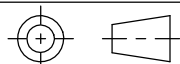
FINISH:

PUSH ROD & PLUNGER: PASSIVATED PER AMS-2700.

BODY: ELECTROLESS NICKEL PER SAE 2404, CLASS 1

NOTES:

1. REMOVAL TOOL FOR 3821-40023 & 3821-40024.
2. USED ON 67.3 CONTACTS, RESPECTIVELY

MATERIAL: SEE NOTES	DIMENSIONS ARE IN INCHES TOLERANCES: FRACTIONAL: $\pm 1/64$ ANGULAR: X° $\pm 1'0''$ X"X' $\pm 15''$	UNLESS OTHERWISE SPECIFIED 1) ALL DIMENSIONS ARE IN INCHES (MILLIMETERS) 2) ALL DIMENSIONS ARE AFTER PLATING 3) BREAK CORNERS & EDGES .005 R. MAX. 4) CHAM. 1ST & LAST THREADS. 5) SURFACE ROUGHNESS 63-MIL-STD-10. 6) DIA. 'S ON COMMON CENTERS TO BE CONCENTRIC WITHIN .005 T.I.R. 7) REMOVE ALL BURRS	 Amphenol 2400 Centrepark West Drive, Suite 100 West Palm Beach, FL 33409	
FINISH: SEE NOTES	DECIMAL: X $\pm .030$.XX $\pm .010$.XXX $\pm .005$			
SURFACE AREA: N/A	INTERPRET DIMENSIONS AND TOLERANCES PER ASME Y14.5M - 1994		TITLE: SMPS VITA 67.3 CONTACT REMOVAL TOOL	
PROPRIETARY THE INFORMATION CONTAINED IN THIS DRAWING IS THE SOLE PROPERTY OF SV MICROWAVE, INC. ANY REPRODUCTION IN PART OR AS A WHOLE WITHOUT THE WRITTEN PERMISSION OF SV MICROWAVE, INC IS PROHIBITED.	THIRD ANGLE PROJECTION	DRAWN: SJ 06/03/19	SIZE B	CAGE CODE 95077
		CHECKED: JDT 06/03/19	DWG. NO. 500-38-006	
		APPROVED: JDT 06/03/19	SCALE: 4:1	SHEET 1 OF 1

X-ON Electronics

Largest Supplier of Electrical and Electronic Components

Click to view similar products for [RF Connector Tools](#) category:

Click to view products by [Amphenol](#) manufacturer:

Other Similar products are found below :

[R282744011](#) [R282744220](#) [R282120010](#) [4-1532129-0](#) [6-1337482-0](#) [R282730040](#) [R282743120](#) [R282744100](#) [23W100-000](#) [23W101-000](#) [227-1497](#) [R282589210](#) [R282967015](#) [R282918210](#) [GK-S600TT](#) [GK-S240TT](#) [CS24-1](#) [500-32-015](#) [W1W005-000](#) [W1W001-000](#) [500-32-004](#) [500-38-002](#) [500-32-008](#) [227-T2000](#) [500-12-019](#) [500-32-007](#) [500-32-022](#) [500-38-004](#) [500-38-006](#) [500-38-008](#) [500-80-014](#) [D.FL75-LP-N](#) [CAS-BNC-T](#) [R282868280](#) [19W002-000](#) [6006330101](#) [1055454-1](#) [GK-S400TT](#) [500-12-000](#) [X.FL-LP-IN.OUT1](#) [500-32-010](#) [W1W002-000](#) [RFMODE1.5](#) [CS10](#) [CS12](#) [CS14](#) [CS16](#) [CS20](#) [CS32](#) [CS8](#)