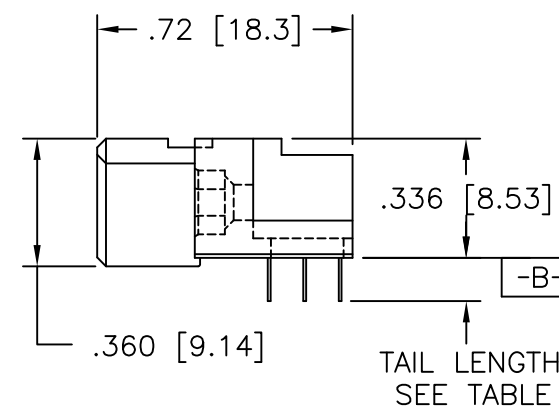
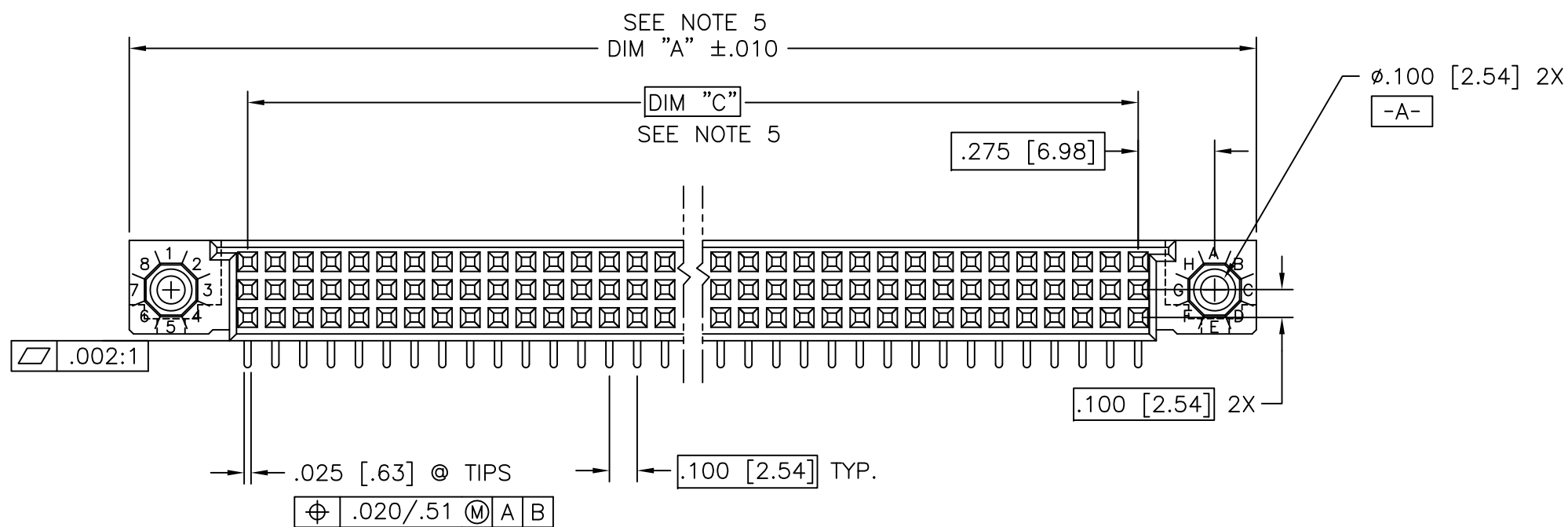
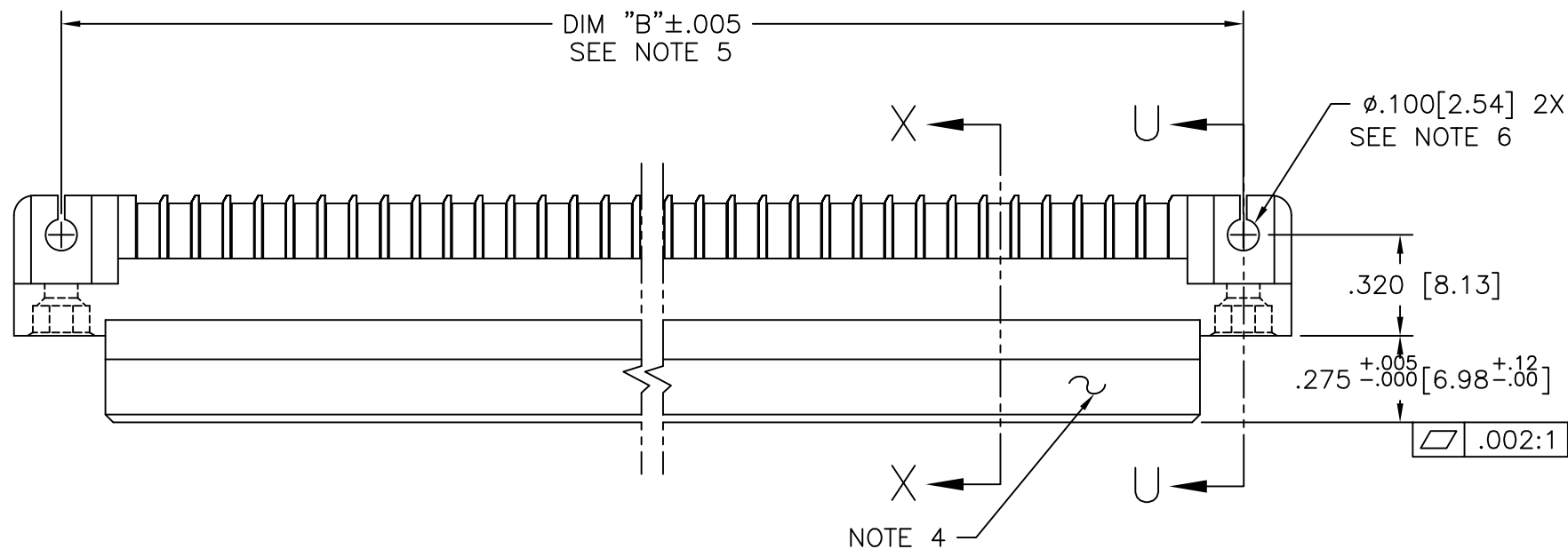


PRODUCT NUMBER
SEE TABLE



mat'l. code NOTE 3		surface ISO 1302 ✓		tolerance ISO 406 ISO 1101		projection INCH/MM		product family HPC	
ltr	ecn no	dr	date	tolerances unless otherwise specified		INCH/MM		title	
S	ELX-I-22704	MJA	12/04/15	angles	linear	.XX±.01/.X±0.3		3 ROW R/A RECEPTACLE	
T	ELX-I-24437	MJA	07/04/16			.XXX±.005/.XX±0.13		SOLDER TO BOARD, 0 G.P.	
U	ELX-I-26814	MJA	04/26/17	0°±2'		.XXXX±.0020/.XXX±0.051		scale 1:1	
-		-		dr	G.PETERS	6/5/96		dwg no	
N	M06-0283	MHT	7/27/06	enr	S.CLARK	6/3/95		sheet 1 of 6 size	
P	M07-0099	AGS	2/09/07	chr	M JACOB	04/26/17		50294 A3	
R	M08-0280	AGS	9/30/08	appd	BIJU K PAUL	04/26/17		type Product Customer Drawing	
sheet	revision	U	U	R	T	T	B		
index	sheet	1	2	3	4	5	6		

PRODUCT NUMBER
SEE TABLE

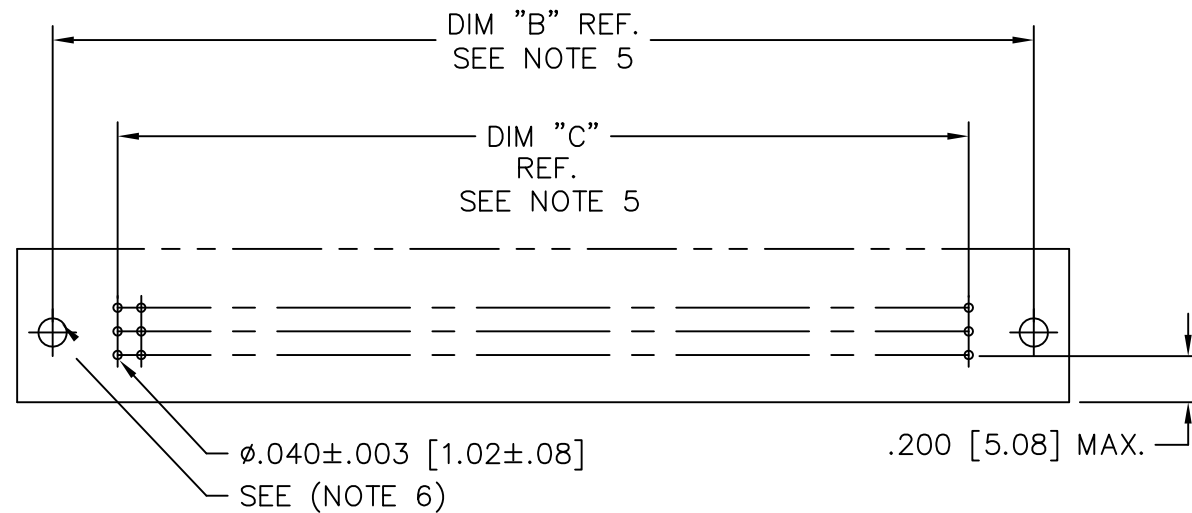
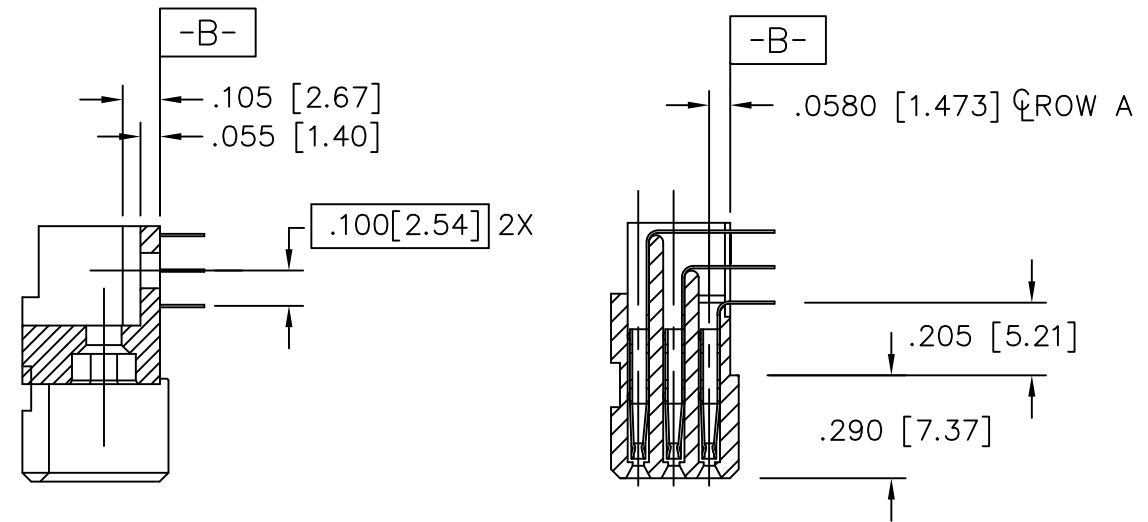
NOTES:

①. PRODUCT NUMBERING CODE:
50294 - X YYY Z S LF
LEAD FREE (OPTIONAL)
SPECIAL FEATURES (NOTE 6)
TAIL LENGTH (SEE TABLE)
NO. OF POSITIONS (NOTE 2)
PLATING (SEE TABLE)
BASE NUMBER

PRODUCT NUMBERING CODE FOR
SELECT LOAD PART NUMBERS:

50294 - XXYYY LF
LEAD FREE (OPTIONAL)
SEQUENCE NUMBER
ALWAYS 'XX'
BASE NUMBER

- ②. THIS PRODUCT IS CONFIGURED IN SIZES OF 6 thru 80 COLUMNS IN INCREMENTS OF ONE.
i.e.: 6,7,8,9.....79,80.
- ③. HOUSING MATERIAL: GLASS & MINERAL FILLED HIGH-TEMP THERMOPLASTIC,
FLAME RETARDANT PER UL94 V-0.
CONTACT MATERIAL: BeCu
- ④. MANUFACTURE'S NAME, PART NUMBER AND LOT CODE TO APPEAR ON THIS SURFACE PER BUS-12-108.
- ⑤. LENGTH DIMENSION FORMULAS:
DIM "A" = $.100/2.54 \times \text{NO. OF COLUMNS} + .75/19.1$
DIM "B" = $.100/2.54 \times \text{NO. OF COLUMNS} + .450/11.43$
DIM "C" = $.100/2.54 \times \text{NO. OF COLUMNS} - .100/2.54$
- ⑥. SPECIAL FEATURES (SEE SHEET 3) AND TABLE.
- = IF CODE IS OMITTED FROM PRODUCT NUMBER: CONNECTOR IS PROVIDED AS SHOWN, NO SPECIAL FEATURES ARE SELECTED. P.C.B. MOUNTING HOLE DIMENSION TO BE $\phi.120[3.05]$.
"A" = IF SPECIFIED, PRE-INSTALLED CLAW FOR P.C.B. ATTACHMENT IN A $\phi.100[2.54]$ P.C.B. MOUNTING HOLE. AVAILABLE IN 'E' TAIL LENGTH ONLY.
"B" = IF SPECIFIED, PRE-INSTALLED CLAW FOR P.C.B. ATTACHMENT IN A $\phi.120[3.05]$ P.C.B. MOUNTING HOLE.
"C" = IF SPECIFIED, MOLDED GUIDE PINS WITH PRE-INSTALLED CLAW FOR P.C.B. ATTACHMENT IN A $\phi.120[3.05]$ P.C.B. MOUNTING HOLE.
"D" = IF SPECIFIED, MOLDED GUIDE PINS WITH $\phi.120[3.05]$ P.C.B. MOUNTING HOLE (NO CLAW).
- ⑦. CLAW DIMENSION DETERMINED BY P.C.B. HOLE DIAMETER.
- ⑧. THIS PRODUCT (WITH "LF" SUFFIX) MEETS EUROPEAN UNION DIRECTIVES AND OTHER COUNTRY REGULATIONS AS DESCRIBED IN GS-22-008.
- ⑨. THIS HOUSING WILL WITHSTAND EXPOSURE TO 260 DEGREES C PEAK TEMPERATURE FOR 10-30 SECONDS IN A CONVECTION, INFRA-RED OR VAPOR PHASE REFLOW OVEN.
- ⑩. PLATING OPTION:
MAY BE EITHER GOLD OR GXT PLATED AT MANUFACTURER'S OPTION.
- ⑪. FOR P/Ns 50294-1165HLF, 50294-1210HLF & 50294-XX001LF PLEASE CONTACT PRODUCT MANAGER.

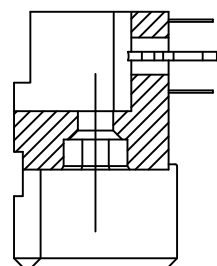
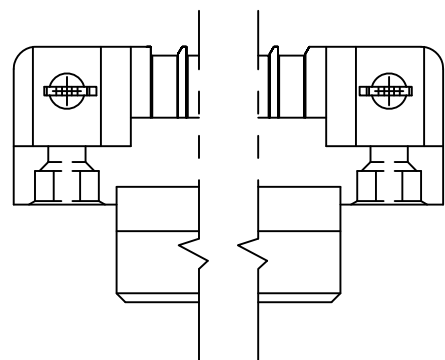


RECOMMENDED PCB LAYOUT
(ALL HOLES LOCATED ON $.100 [2.54]$ GRID UNLESS OTHERWISE SPECIFIED)

mat'l. code		surface		tolerance		projection		product family	
NOTE 3		ISO 1302 ✓		ISO 406 ISO 1101		INCH/MM		HPC	
ltr	ecn no	dr	date	tolerances unless otherwise specified		INCH/MM		title	
U				angles	linear	scale 1:1		3 ROW R/A RECEPTACLE SOLDER TO BOARD, 0 G.P.	
				0°±2'	.XX±.01/.X±0.3 .XXX±.005/.XX±0.13 .XXXX±.0020/.XXX±0.051			dwg no	
		dr	G.PETERS	6/5/96			sheet 2 of 6		size
		enr	S.CLARK	6/3/95			50294		A3
		chr	M JACOB	04/26/17			Product Customer Drawing		
		appd	BIJU K PAUL	04/26/17					
sheet index	revision sheet								

PRODUCT NUMBER

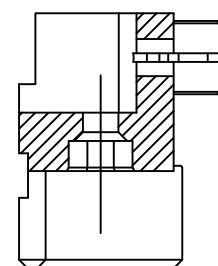
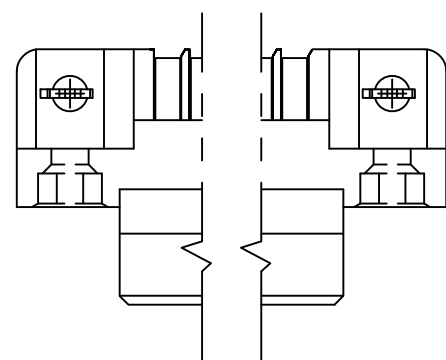
SEE TABLE



SECTION U-U

SPECIAL FEATURE OPTION "A"

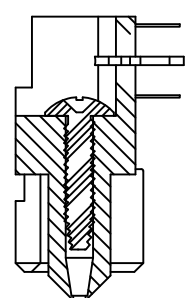
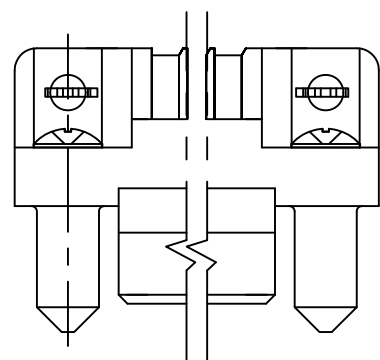
SEE NOTE 6



SECTION U-U

SPECIAL FEATURE OPTION "B"

SEE NOTE 6



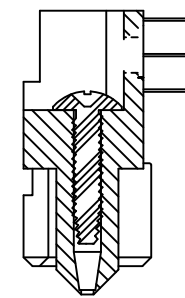
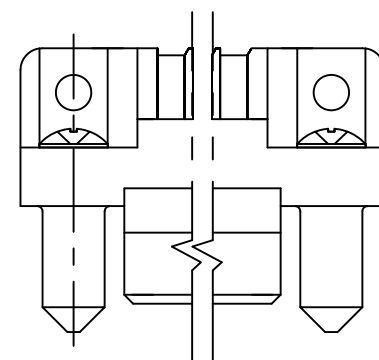
SECTION U-U

SPECIAL FEATURE OPTION "C"

SEE NOTE 6

SEE NOTE 7

SELF TAPPING SCREW, 2X



SECTION U-U

SPECIAL FEATURE OPTION "D"

SEE NOTE 6

SELF TAPPING SCREW, 2X

mat'l. code NOTE 3		surface ISO 1302 ✓	tolerance ISO 406 ISO 1101	projection 	product family HPC
ltr	ecn no	dr	date	tolerances unless otherwise specified	title 3 ROW R/A RECEPTACLE SOLDER TO BOARD, 0 G.P.
R				angles linear .XX±.01/.X±0.3 .XXX±.005/.XX±0.13 .XXXX±.0020/.XXX±0.051	
				0°±2'	INCH/MM scale 1:1
		dr	G.PETERS	6/5/96	Amphenol FCi dwg no 50294 sheet 3 of 6 size A3 type Product Customer Drawing
		enr	S.CLARK	6/3/95	
		chr	S.CLARK	6/5/95	
		appd	S.CLARK	6/5/95	
sheet index	revision sheet				

PRODUCT NUMBER NOTE 1 AND 2	NUMBER OF POSITIONS SEE NOTE 2	TAIL LENGTH ±.010/0.25	SPECIAL FEATURES SEE NOTE 6	TAIL PLATING	CONTACT PLATING SEE NOTE 10
50294-1YYYE	YYY	.125/3.18	NONE	TIN-LEAD	30μ"/0.76μ Au
50294-1YYYEA	YYY	.125/3.18	"A"		30μ"/0.76μ Au
50294-1YYYEB	YYY	.125/3.18	"B"		30μ"/0.76μ Au
50294-1YYYEC	YYY	.125/3.18	"C"		30μ"/0.76μ Au
50294-1YYYED	YYY	.125/3.18	"D"		30μ"/0.76μ Au
50294-1YYYF	YYY	.145/3.68	NONE		30μ"/0.76μ Au
50294-1YYYFB	YYY	.145/3.68	"B"		30μ"/0.76μ Au
50294-1YYYFC	YYY	.145/3.68	"C"		30μ"/0.76μ Au
50294-1YYYFD	YYY	.145/3.68	"D"		30μ"/0.76μ Au
50294-1YYYH	YYY	.180/4.57	NONE		30μ"/0.76μ Au
50294-1YYYHB	YYY	.180/4.57	"B"		30μ"/0.76μ Au
50294-1YYYHC	YYY	.180/4.57	"C"		30μ"/0.76μ Au
50294-1YYYHD	YYY	.180/4.57	"D"		30μ"/0.76μ Au
50294-3YYYE	YYY	.125/3.18	NONE		50μ"/1.27μ Au
50294-3YYYEA	YYY	.125/3.18	"A"		50μ"/1.27μ Au
50294-3YYYEB	YYY	.125/3.18	"B"		50μ"/1.27μ Au
50294-3YYYEC	YYY	.125/3.18	"C"		50μ"/1.27μ Au
50294-3YYYED	YYY	.125/3.18	"D"		50μ"/1.27μ Au
50294-3YYYF	YYY	.145/3.68	NONE		50μ"/1.27μ Au
50294-3YYYFB	YYY	.145/3.68	"B"		50μ"/1.27μ Au
50294-3YYYFC	YYY	.145/3.68	"C"		50μ"/1.27μ Au
50294-3YYYFD	YYY	.145/3.68	"D"		50μ"/1.27μ Au
50294-3YYYH	YYY	.180/4.57	NONE		50μ"/1.27μ Au
50294-3YYYHB	YYY	.180/4.57	"B"		50μ"/1.27μ Au
50294-3YYYHC	YYY	.180/4.57	"C"		50μ"/1.27μ Au
50294-3YYYHD	YYY	.180/4.57	"D"	TIN-LEAD	50μ"/1.27μ Au

PRODUCT NUMBER NOTE 1 AND 2	NUMBER OF POSITIONS SEE NOTE 2	TAIL LENGTH ±.010/0.25	SPECIAL FEATURES SEE NOTE 6	TAIL PLATING	CONTACT PLATING SEE NOTE 10
50294-1YYYELF	YYY	.125/3.18	NONE	TIN	30μ"/0.76μ Au
50294-1YYYEALF	YYY	.125/3.18	"A"		30μ"/0.76μ Au
50294-1YYYEBLF	YYY	.125/3.18	"B"		30μ"/0.76μ Au
50294-1YYYECLF	YYY	.125/3.18	"C"		30μ"/0.76μ Au
50294-1YYYEDLF	YYY	.125/3.18	"D"		30μ"/0.76μ Au
50294-1YYYFLF	YYY	.145/3.68	NONE		30μ"/0.76μ Au
50294-1YYYFBLF	YYY	.145/3.68	"B"		30μ"/0.76μ Au
50294-1YYYFCLF	YYY	.145/3.68	"C"		30μ"/0.76μ Au
50294-1YYYFDLF	YYY	.145/3.68	"D"		30μ"/0.76μ Au
50294-1YYYHLF	YYY (SEE NOTE 11)	.180/4.57	NONE		30μ"/0.76μ Au
50294-1YYYHBLF	YYY	.180/4.57	"B"		30μ"/0.76μ Au
50294-1YYYHCLF	YYY	.180/4.57	"C"		30μ"/0.76μ Au
50294-1YYYHDLF	YYY	.180/4.57	"D"		30μ"/0.76μ Au
50294-3YYYELF	YYY	.125/3.18	NONE		50μ"/1.27μ Au
50294-3YYYEALF	YYY	.125/3.18	"A"		50μ"/1.27μ Au
50294-3YYYEBLF	YYY	.125/3.18	"B"		50μ"/1.27μ Au
50294-3YYYECLF	YYY	.125/3.18	"C"		50μ"/1.27μ Au
50294-3YYYEDLF	YYY	.125/3.18	"D"		50μ"/1.27μ Au
50294-3YYYFLF	YYY	.145/3.68	NONE		50μ"/1.27μ Au
50294-3YYYFBLF	YYY	.145/3.68	"B"		50μ"/1.27μ Au
50294-3YYYFCLF	YYY	.145/3.68	"C"		50μ"/1.27μ Au
50294-3YYYFDLF	YYY	.145/3.68	"D"		50μ"/1.27μ Au
50294-3YYYHLF	YYY	.180/4.57	NONE		50μ"/1.27μ Au
50294-3YYYHBLF	YYY	.180/4.57	"B"		50μ"/1.27μ Au
50294-3YYYHCLF	YYY	.180/4.57	"C"		50μ"/1.27μ Au
50294-3YYYHDLF	YYY	.180/4.57	"D"	TIN	50μ"/1.27μ Au

TABLE CONTINUED ON SHEET 5

mat'l. code NOTE 3		surface ISO 1302 ✓	tolerance ISO 406 ISO 1101	projection 	product family HPC
ltr	ecn no	dr	date	tolerances unless otherwise specified	title 3 ROW R/A RECEPTACLE SOLDER TO BOARD, 0 G.P.
T				angles linear .XX±.01/.X±0.3 .XXX±.005/.XX±0.13 .XXXX±.0020/.XXX±0.051	
				0°±2°	
				dr G.PETERS 6/5/96	dwg no sheet 4 of 6 size
				enr S.CLARK 6/3/95	50294 A3
				chr M JACOB 04/26/17	type Product Customer Drawing
				appd BIJU K PAUL 04/26/17	
sheet index	revision sheet				

PRODUCT NUMBER NOTE 1 AND 2	NUMBER OF POSITIONS SEE NOTE 2	TAIL LENGTH ±.010/0.25	SPECIAL FEATURES SEE NOTE 6	TAIL PLATING	CONTACT PLATING SEE NOTE 10
50294-5YYYYE	YYY	.125/3.18	NONE	TIN/LEAD	30μ"/0.76μ GXT
50294-5YYYELF	YYY	.125/3.18	NONE	TIN	
50294-5YYYYEA	YYY	.125/3.18	"A"	TIN/LEAD	
50294-5YYYYEALF	YYY	.125/3.18	"A"	TIN	
50294-5YYYYEB	YYY	.125/3.18	"B"	TIN/LEAD	
50294-5YYYYEBLF	YYY	.125/3.18	"B"	TIN	
50294-5YYYYEC	YYY	.125/3.18	"C"	TIN/LEAD	
50294-5YYYYECLF	YYY	.125/3.18	"C"	TIN	
50294-5YYYYED	YYY	.125/3.18	"D"	TIN/LEAD	
50294-5YYYYEDLF	YYY	.125/3.18	"D"	TIN	
50294-5YYYYF	YYY	.145/3.68	NONE	TIN/LEAD	
50294-5YYYYFLF	YYY	.145/3.68	NONE	TIN	
50294-5YYYYFB	YYY	.145/3.68	"B"	TIN/LEAD	
50294-5YYYYFBLF	YYY	.145/3.68	"B"	TIN	
50294-5YYYYFC	YYY	.145/3.68	"C"	TIN/LEAD	
50294-5YYYYFCLF	YYY	.145/3.68	"C"	TIN	
50294-5YYYYFD	YYY	.145/3.68	"D"	TIN/LEAD	
50294-5YYYYFDLF	YYY	.145/3.68	"D"	TIN	
50294-5YYYYH	YYY	.180/4.57	NONE	TIN/LEAD	
50294-5YYYYHLF	YYY	.180/4.57	NONE	TIN	
50294-5YYYYHB	YYY	.180/4.57	"B"	TIN/LEAD	
50294-5YYYYHBLF	YYY	.180/4.57	"B"	TIN	
50294-5YYYYHC	YYY	.180/4.57	"C"	TIN/LEAD	
50294-5YYYYHCLF	YYY	.180/4.57	"C"	TIN	
50294-5YYYYHD	YYY	.180/4.57	"D"	TIN/LEAD	
50294-5YYYYHDLF	YYY	.180/4.57	"D"	TIN	30μ"/0.76μ GXT
50294-XX001LF	165 (SEE NOTE 11)	.180/4.57	NONE	TIN	30μ"/0.76μ Au

mat'l. code NOTE 3		surface ISO 1302 ✓	tolerance ISO 406 ISO 1101	projection 	product family HPC
ltr	ecn no	dr	date	tolerances unless otherwise specified	title 3 ROW R/A RECEPTACLE SOLDER TO BOARD, 0 G.P.
T				linear .XX±.01/.X±0.3 .XXX±.005/.XX±0.13 .XXXX±.0020/.XXX±0.051	
		angles 0°±2°		INCH/MM scale 1:1	dwg no 50294
		dr	G.PETERS	6/5/96	sheet 5 of 6 size A3
		enr	S.CLARK	6/3/95	type Product Customer Drawing
		chr	M JACOB	04/26/17	
		appd	BIJU K PAUL	04/26/17	
sheet index	revision sheet				

PRODUCT NUMBER (SEE NOTE 11)	ITEM KEY	SIGNAL DATA			
		SIZE 3 x 55	TOTAL NO. OF POSITIONS -165	NO. OF POSITIONS LOADED - 107	
		PLATING	R/A RECEPTACLE STYLE		
			QTY.	MATING LENGTH	TAIL LENGTH
50294-XX001LF	A	SEE SHEET 5	45	N/A	.180 [4.57]
	B	SEE SHEET 5	17	N/A	.180 [4.57]
	C	SEE SHEET 5	45	N/A	.180 [4.57]

35	30	25	20	15	10	5	1
C	C	C	C	C	C	C	C
A	A	A	A	A	A	A	A

C
B
A

TERM.
1

55	50	45	40	36
C	C	C	C	C
	B	B	B	B
A	A	A	A	A

- ALL POSITIONS ARE LOADED, EXCEPT WHERE NOTED.
- COLUMN 1, ROW A IS DESIGNATED AS SIGNAL TERM. 1, AS VIEWED FROM THE MATING FACE.

mat'l. code NOTE 3		surface ISO 1302 ✓	tolerance ISO 406 ISO 1101	projection 	product family HPC
ltr	ecn no	dr	date	tolerances unless otherwise specified	title 3 ROW R/A RECEPTACLE SOLDER TO BOARD, 0 G.P.
B				linear .XX±.01/.X±0.3 .XXX±.005/.XX±0.13 .XXXX±.0020/.XXX±0.051	
				angles 0°±2°	INCH/MM scale 1:1
		dr	M JACOB	12/04/15	dwg no
		enr	M JACOB	12/04/15	sheet 6 of 6
		chr	M. JACOB	04/26/17	size 50294 A3
		appd	BIJU K PAUL	04/26/17	type Product Customer Drawing
sheet index	revision sheet				

X-ON Electronics

Largest Supplier of Electrical and Electronic Components

Click to view similar products for [Hard Metric Connectors](#) category:

Click to view products by [Amphenol](#) manufacturer:

Other Similar products are found below :

[10146110-VR5C](#) [6345127-1](#) [646916-9](#) [6469658-1](#) [853016](#) [973108](#) [1-2000676-2](#) [1-2000713-0](#) [1-2000713-2](#) [1-2000713-3](#) [120646-1](#) [134187](#)
[1645343-1](#) [1645456-1](#) [1645594-1](#) [1645601-1](#) [1934822-1](#) [2000829-2](#) [2000985-2](#) [223085-1](#) [278071110010833](#) [1645179-1](#) [1645245-1](#)
[1645457-1](#) [1645525-1](#) [1645570-1](#) [1645596-1](#) [1857470-1](#) [1934275-1](#) [1934289-1](#) [1934759-1](#) [2000673-1](#) [2000984-2](#) [204975](#) [2170292-2](#) [2-](#)
[536642-6](#) [3-100668-0](#) [352188-1](#) [352629-1](#) [3-646346-0](#) [3-646356-0](#) [3-646457-0](#) [3-646529-0](#) [3-646530-0](#) [5120823-1](#) [5120899-1](#) [3-100145-0](#)
[3-100147-0](#) [3-100669-1](#) [HM2DK2368PLF](#)