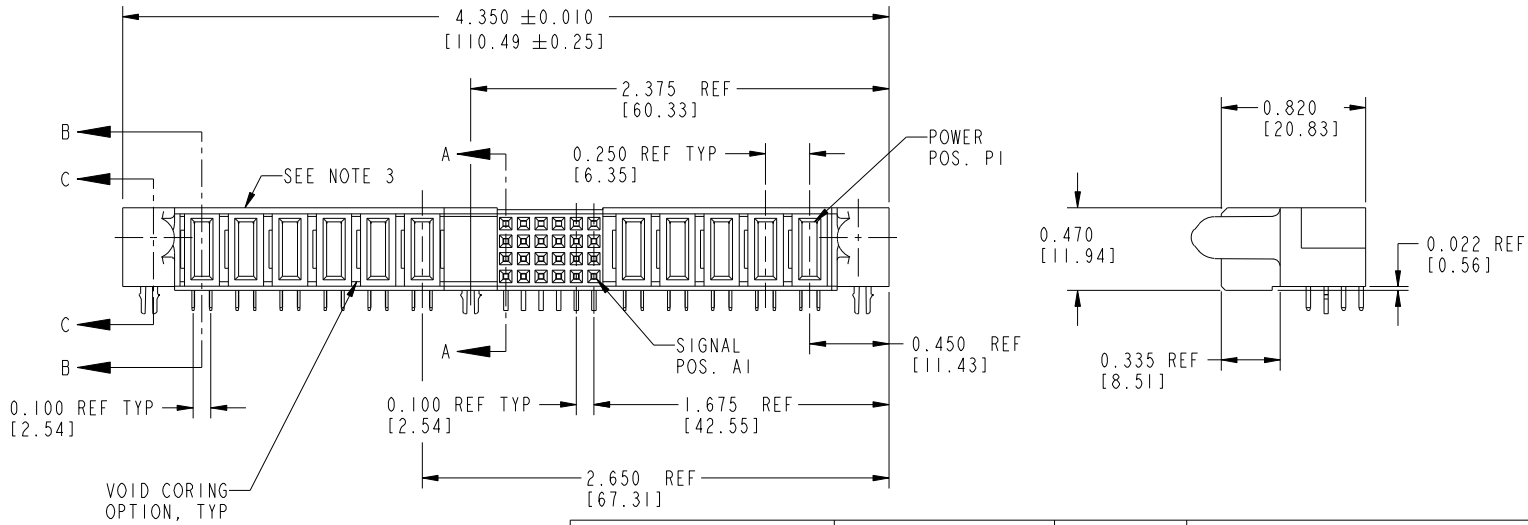
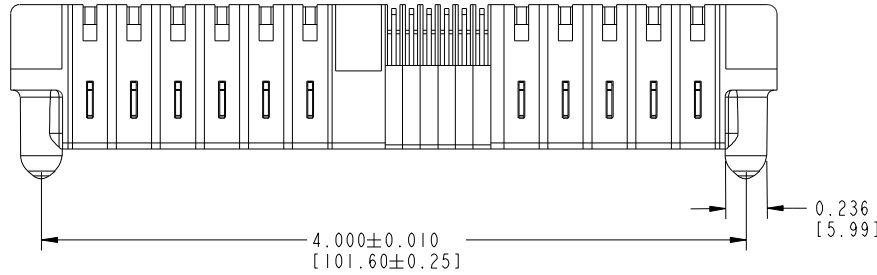


Tous droits strictement réservés. Reproduction ou communication à des tiers interdite sous quelque forme que ce soit sans autorisation écrite du propriétaire. Propriété de c FCI. Droits de reproduction FCI.



All rights strictly reserved. Reproduction or issue to third parties in any form whatever is not permitted without written authority from the proprietor. Property of FCI. Copyright FCI.

PRODUCT NUMBER  
SEE SHEET 3



mat'l code				NOTE 1		tolerances unless otherwise specified		CUSTOMER		FCI		
ltr	ecn no.	dr	date	linear	.XX±.01/.XX±.3	projection	COPY		www.fciconnect.com			
N	DG05-0242	SJ	07/25/05		.XXX±.005/.XX±.13	INCH/MM		title		5P + 24S + 1M + 6P		
P	DG05-0313	SJ	09/05/05	angles	.XXXX±.0020/.XXX±.051	scale		product family		PwrBlade		
R	DG05-0338	SW	09/19/05	chr	0° ± 2°	1:1		size		213		
S	DG05-0550	GuoJM	12/16/05	appr	D. WOLFORD 01/21/99	A		dwg no		51625		
T	DG08-0239	JC	09/12/08		J. BROWN 01/21/99			sheet		1 of 4		
sheet index		revision sheet	T	T	T	T			cage code		22526	
			1	2	3	4						

Pro/E

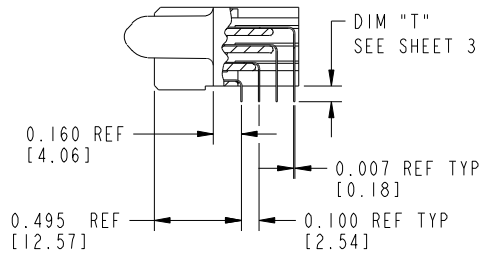
cage code 22526

Tous droits strictement reserves. Reproduction ou communication a des tiers interdite sous quelque forme que ce soit sans autorisation écrite du propriétaire. Propriete de c FCI. Droits de reproduction FCI.

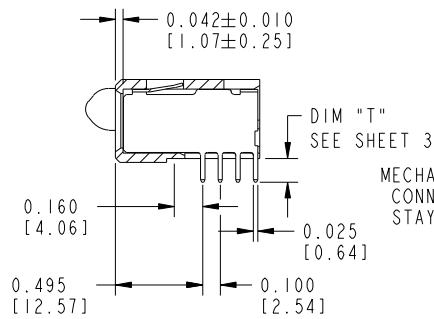


All rights strictly reserved. Reproduction or issue to third parties in any form whatever is not permitted without written authority from the proprietor. Property of FCI. Copyright FCI.

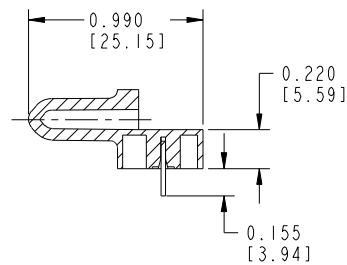
PRODUCT NUMBER  
SEE SHEET 3



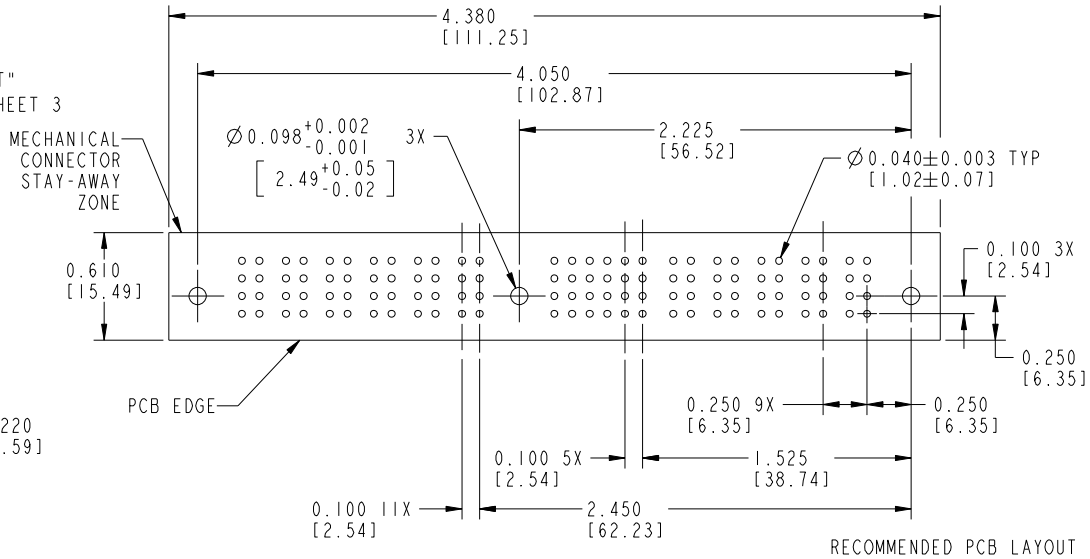
SECTION A-A



SECTION B-B



SECTION C-C



RECOMMENDED PCB LAYOUT

mat'l code		NOTE 1		tolerances unless otherwise specified		CUSTOMER		 www.fciconnect.com	
ltr	ecn no.	dr	date	linear	.XX±.01/.X±.3	COPY		title	
T				angles	.XXX±.005/.XX±.13	projection		5P + 24S + 1M + 6P	
				dr	.XXX±.0020/.XXX±.051	 INCH/MM		R/A SOLDER RECEPT.	
				enr	0° ± 2°	scale		product family	
				chr	D. WOLFORD 01/21/99	1:1		PwrBlade	
				appd	J. BROWN 01/21/99			code	
					J. BROWN 01/21/99			213	
sheet index	revision sheet							size	
								dwg no	
								A	
								51625	
								sheet	
								2	

cage code 22526

Pro/E

Tous droits strictement reserves. Reproduction ou communication a des tiers interdite sous quelque forme que ce soit sans autorisation écrite du propriétaire. Propriete de c FCI. Droits de reproduction FCI.



All rights strictly reserved. Reproduction or issue to third parties in any form whatever is not permitted without written authority from the proprietor. Property of FCI. Copyright FCI.

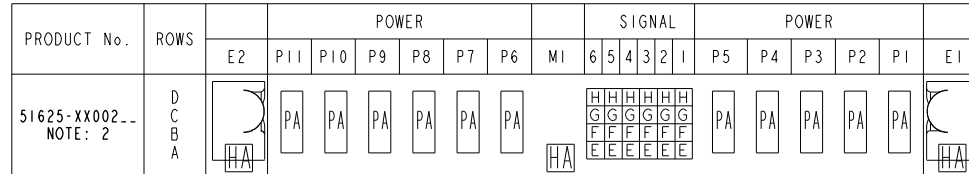
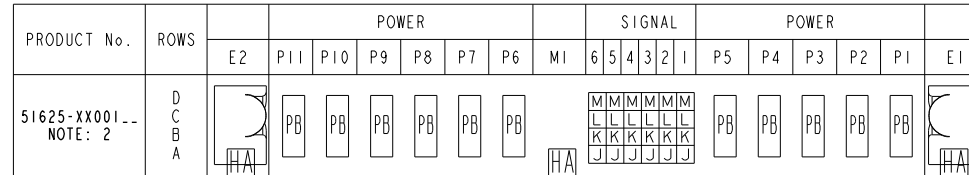
PRODUCT NUMBER  
SEE TABLE

1 | 2

3 |

4

CODE	DIM "T"		DIM "T"		CONTACT TYPE
	+0.005 [0.12]	-0.010 [0.25]	±0.010 [0.25]		
E	-	-	0.135	[3.43]	SIGNAL
F	-	-	0.135	[3.43]	SIGNAL
G	-	-	0.135	[3.43]	SIGNAL
H	-	-	0.135	[3.43]	SIGNAL
J	0.090	[2.29]	-	-	SIGNAL
K	0.090	[2.29]	-	-	SIGNAL
L	0.090	[2.29]	-	-	SIGNAL
M	0.090	[2.29]	-	-	SIGNAL
PA	-	-	0.135	[3.43]	POWER
PB	0.090	[2.29]	-	-	POWER
HA	N/A	[N/A]	-	-	HOLD-DOWN



mat'l code				NOTE 1				tolerances unless otherwise specified				CUSTOMER			
ltr	ecn no.	dr	date	linear	.XX±.01/.X±.3			COPY		www.fciconnect.com		title		5P + 24S + 1M + 6P	
T				angles	.XXX±.005/.XX±.13			projection		title		R/A SOLDER RECEPT.			
				dr	.XXXX±.0020/.XXX±.051					product family		PwrBlade		code	
				enr	0° ± 2°			INCH/MM		size		dwg no		213	
				chr	D. WOLFORD 01/21/99			scale		A		51625		sheet	
				appd	J. BROWN 01/21/99			1:1						3	
sheet index		revision sheet													

1 | 2

Pro/E

3 |

cage code 22526

4

Tous droits strictement réservés. Reproduction ou communication à des tiers interdite sous quelque forme que ce soit sans autorisation écrite du propriétaire. Propriété de c FCI. Droits de reproduction FCI.



All rights strictly reserved. Reproduction or issue to third parties in any form whatsoever is not permitted without written authority from the proprietor. Property of FCI. Copyright FCI.

PRODUCT NUMBER  
SEE SHEET 3

CONNECTOR NOTES:

- HOUSING MATERIAL: UL 94 V-0 GLASS FILLED HIGH TEMP THERMOPLASTIC  
POWER CONTACT MATERIAL: COPPER ALLOY  
SIGNAL CONTACT MATERIAL: COPPER ALLOY

- PLATING: (51625-XX00X STAND OFF 51625-XX001 AND 51625-XX002)  
SEE ITEM 5 & 6 IN PRINT 10064183 FOR PLATING SPEC OF 51625-XX00X AND 51625-XX00XLF RESPECTIVELY

- MANUFACTURER'S NAME, P/N, AND DATE CODE TO APPEAR ON THIS SURFACE
- PRODUCT SPECIFICATION GS-12-149

PCB NOTES:

- ALL DIMENSIONS ARE BASIC UNLESS OTHERWISE SPECIFIED.
- ALL THROUGH HOLES ARE LOCATED WITH A TRUE POSITION OF 0.004 [0.10]
- ALL HOLE DIAMETERS ARE FINISHED HOLE SIZE
- $\varnothing 0.098 [2.49]$  THROUGH HOLES ARE UNPLATED.
- $\varnothing 0.0453 \pm 0.0010 [1.151 \pm 0.025]$  DRILLED HOLES PLATED WITH 0.0003 [0.008] MIN SnPb OVER 0.001 [0.03] TO 0.003 [0.08] Cu PLATING TO ACHIEVE A  $\varnothing 0.040 \pm 0.003 [1.02 \pm 0.07]$  HOLE.
- A  $\triangle$  SYMBOL WILL BE NEXT TO ANY DIMENSION, VIEW, OR NOTE WHICH HAS BEEN MODIFIED WITH THE CURRENT DRAWING REVISION.

CONFIDENTIAL

mat'l code		NOTE 1		tolerances unless otherwise specified		CUSTOMER		FCI		www.fciconnect.com	
ltr	ecr no.	dr	date	linear	.XX±.01/.X±.3	projection	COPY	title 5P + 24S + 1M + 6P R/A SOLDER RECEPT.			
T				angles	.XXX±.005/.XX±.13			product family: 3			
				dr	.XXXX±.0020/.XXX±.051	INCH/MM		code 213			
				enr	0° ± 2°	scale		sheet 4			
				chr	D. WOLFORD 01/21/99	1:1		size 51625			
				appd	J. BROWN 01/21/99			cage code 22526			
					J. BROWN 01/21/99						
sheet index	revision sheet										

Pro/E

cage code 22526

## X-ON Electronics

Largest Supplier of Electrical and Electronic Components

*Click to view similar products for [Power to the Board](#) category:*

*Click to view products by [Amphenol](#) manufacturer:*

Other Similar products are found below :

[10131318-08512GRLF](#) [6450171-4](#) [6450552-7](#) [6600323-8](#) [6643429-1](#) [6646040-2](#) [6651939-1](#) [6766604-1](#) [120959-1](#) [1393557-2](#) [1393532-2](#)  
[1393532-3](#) [1393532-4](#) [1393557-1](#) [1600812-5](#) [1-6450861-2](#) [1645595-1](#) [1743490-1](#) [1744132-7](#) [1761122-1](#) [1766169-1](#) [1766250-1](#) [18362](#)  
[1892109-1](#) [1-967627-6](#) [2226808-1](#) [2-6450860-5](#) [2-6450860-6](#) [2-6450870-0](#) [93003-0502](#) [953552-1](#) [1-6450161-4](#) [1-6450850-6](#) [1645526-2](#) [1-](#)  
[6600130-0](#) [1743419-1](#) [1766150-1](#) [2005243-2](#) [211110-1](#) [2-6600130-2](#) [TE34-12-16P-F0](#) [51700-10201602AALF](#) [5-6450830-6](#) [5646956-4](#)  
[36662-0005](#) [40585-3000](#) [4-6450830-9](#) [4-6600333-3](#) [51142-0214](#) [10125416-4050LF](#)