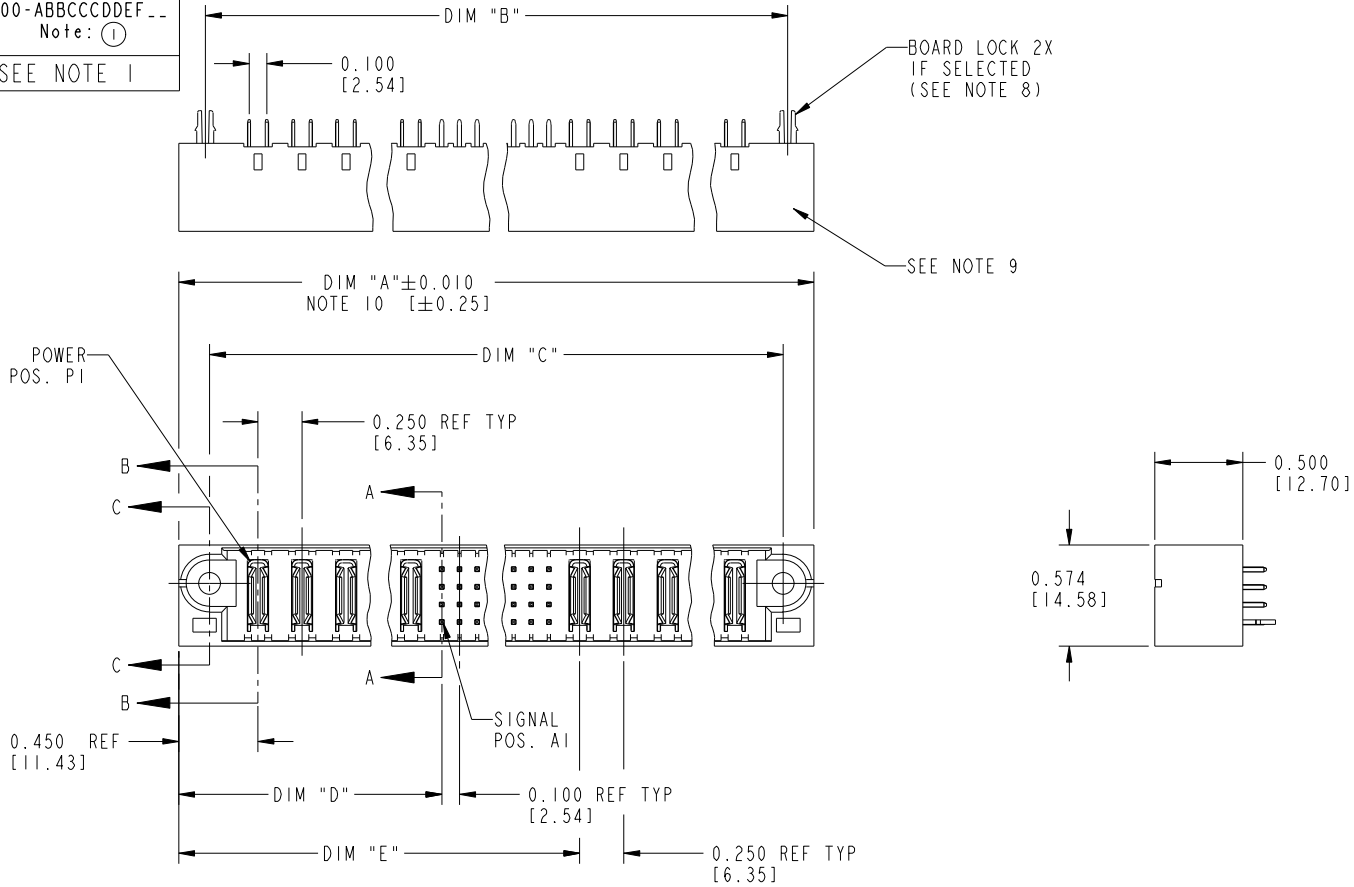


Tous droits strictement réservés. Reproduction ou communication à des tiers interdite sous quelque forme que ce soit sans autorisation écrite du propriétaire. Propriété de c.FCI. Droits de reproduction FCI.



All rights strictly reserved. Reproduction or issue to third parties in any form whatever is not permitted without written authority from the proprietor. Property of FCI. Copyright FCI.

PRODUCT NUMBER
51700-ABBCCDDEF --
Note: ①
SEE NOTE 1



| | | | | | | | | | | | |
|-------------|----------------|-------|----------|--------|----------------------|---------------------------------------|-------------|----------|--|------------------------|--|
| mat'l code | | | | NOTE 2 | | tolerances unless otherwise specified | | CUSTOMER | | www.fciconnect.com | |
| ltr | ecn no. | dr | date | linear | .XX±.01/0.XX±0.3 | | COPY | | title VERTICAL HEADER w/ GUIDE PIN POWER / SIGNAL / POWER | | |
| K | DG05-0132 | SJ | 05/26/05 | | .XXX±.005/0.XX±0.13 | | projection | | | | |
| L | DG05-0435 | SW | 11/03/05 | angles | .XXX±.0020/.XXX±.051 | | INCH/MM | | product family PWRBLADE code 213 | | |
| M | DG05-0485 | GuoJM | 11/21/05 | | 0°±2° | | scale 1:1 | | size dwg no 51700 sheet 1 of 3 | | |
| N | DG08-0123 | SH | 05/19/08 | dr | JRW | 10-12-01 | A | | cage code 22526 | | |
| | | | | enrg | J.ALLISON | 10-12-01 | | | | | |
| | | | | chr | J.ALLISON | 10-12-01 | | | | | |
| | | | | appd | J.ALLISON | 10-12-01 | | | | | |
| sheet index | revision sheet | N 1 | N 2 | N 3 | | | | | | | |

Pro/E

cage code 22526

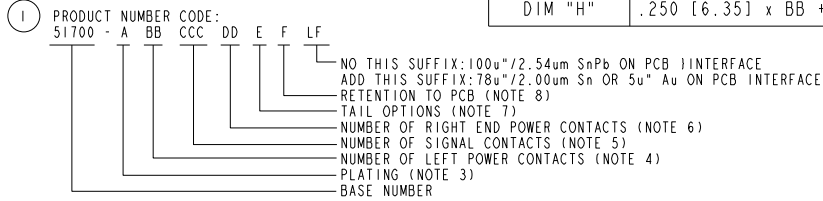
Tous droits strictement reserves. Reproduction ou communication a des tiers interdite sous quelque forme que ce soit sans autorisation écrite du propriétaire. Propriete de c FCI. Droits de reproduction FCI.

All rights strictly reserved. Reproduction or issue to third parties in any form whatever is not permitted without written authority from the proprietor. Property of FCI. Copyright FCI.

| |
|-------------------------------|
| PRODUCT NUMBER |
| 51700-ABBCCDDEF -- Note: ① |
| SEE NOTE 1 |

| DIM | LENGTH FORMULAS (SEE NOTE 10) |
|---------|--|
| DIM "A" | .250 [6.35] x BB + .100 [2.54] x (CCC/4) + .250 [6.35] x DD + .650 [16.51] (NOTE 10) |
| DIM "B" | .250 [6.35] x BB + .100 [2.54] x (CCC/4) + .250 [6.35] x DD + .350 [8.89] |
| DIM "C" | .250 [6.35] x BB + .100 [2.54] x (CCC/4) + .250 [6.35] x DD + .300 [7.62] |
| DIM "D" | .250 [6.35] x BB + .375 [9.53] |
| DIM "E" | .250 [6.35] x BB + .100 [2.54] x (CCC/4) + .450 [11.43] |
| DIM "F" | .250 [6.35] x BB + .100 [2.54] x (CCC/4) + .250 [6.35] x DD + .680 [17.27] |
| DIM "G" | .250 [6.35] x BB + .225 [5.72] |
| DIM "H" | .250 [6.35] x BB + .100 [2.54] x (CCC/4) + .250 [6.35] |

CONNECTOR NOTES



②. HOUSING MATERIAL: UL 94 V-0 GLASS FILLED HIGH TEMP THERMOPLASTIC
POWER CONTACT MATERIAL: COPPER ALLOY
SIGNAL CONTACT MATERIAL: COPPER ALLOY

③. PLATING OPTION:
SEE PRINT 10064183 FOR PLATING SPEC OF 51700-ABBCCDDEF; 51700-ABBCCDDEFLF.

④ LEFT END POWER CONTACTS, 01 TO 20 AVAILABLE.
MAXIMUM OF 20 POWER CONTACTS PER CONNECTOR.

⑤ SIGNAL CONTACT, 004 TO 148 AVAILABLE.

⑥ RIGHT END POWER CONTACTS, 01 - 20 AVAILABLE.
MAXIMUM OF 20 POWER CONTACTS PER CONNECTOR.

⑦ TAIL OPTIONS:
A = 0.135 +0.015/-0.010 [3.43 +0.38/-0.25] SOLDER TO BOARD
B = 0.165 +0.015/-0.010 [4.19 +0.38/-0.25] SOLDER TO BOARD
C = 0.165 +0.015/-0.010 [4.19 +0.38/-0.25] PRESS FIT

⑧ RETENTION TO PCB OPTIONS:
A = BOARD LOCK (REQUIRES 0.098 +0.002/-0.001 [2.49 +0.05/-0.03] THUR HOLE IN PCB).
RECOMMENDED ON SYMMETRIC CONNECTORS.
BOARD LOCK TO BE USED IN CONJUNCTION WITH A .092 PCB OR THICKER.
C = NO RETENTION FEATURE.

- ⑨ MANUFACTURE'S NAME, P/N, AND DATE CODE TO APPEAR ON THIS SURFACE.
- ⑩ THE MAXIMUM OVERALL LENGTH (DIM A) OF A PART IS 8.00 [203.2].
- 11 PRODUCT SPECIFICATION GS-12-149.
- 12 SEE PWRBLADE VERTICAL HEADER SPECIAL WORKSHEET (51696) FOR MATING LENGTH OPTIONS.
- ⑬ DIMENSIONS AND TOLERANCES ARE IN ACCORDANCE WITH ASME Y14.5m, 1994 UNLESS OTHERWISE SPECIFIED.
- PCB NOTES:
14. ALL DIMENSIONS ARE BASIC UNLESS OTHERWISE SPECIFIED.
15. ALL THROUGH HOLES ARE LOCATED WITH A TRUE POSITION OF 0.004 [0.10]
16. ALL HOLE DIAMETERS ARE FINISHED HOLE SIZE
17. Ø0.098 [2.49] THROUGH HOLES ARE UNPLATED.
18. Ø0.0453±0.0010 [1.151±0.025] DRILLED HOLES PLATED WITH 0.0003 [0.008] MIN SnPb OVER 0.001 [0.03] TO 0.003 [0.08] Cu PLATING TO ACHIEVE A Ø0.040±0.003 [1.02±0.07] HOLE.
19. FOR PRESSFIT APPLICATION USE FCI CAM TOOL 430169-XXX.
20. A SYMBOL WILL BE NEXT TO ANY DIMENSION, VIEW, OR NOTE WHICH HAS BEEN MODIFIED WITH THE CURRENT DRAWING REVISION.

| | | | | | | | | | | | |
|-------------|----------------|--------|------|---------------------------------------|----------------------|----------|--|----------------|--|--|--|
| mat'l code | | NOTE 2 | | tolerances unless otherwise specified | | CUSTOMER | | | | www.fciconnect.com | |
| ltr | ecn no. | dr | date | linear | .XX±.01/0.X±0.3 | COPY | | projection | | title | |
| N | | | | angles | .XXX±.005/0.XX±0.13 | INCH/MM | | | | VERTICAL HEADER w/ GUIDE PIN POWER / SIGNAL / POWER | |
| | | | | dr | .XXX±.0020/.XXX±.051 | scale | | product family | | code | |
| | | | | enr | 0°±2° | 1:1 | | PWRBLADE | | 213 | |
| | | | | chr | JR | A | | size | | sheet | |
| | | | | appd | JR | | | dwg no | | 2 | |
| | | | | | J.LLISON | | | 51700 | | | |
| | | | | | J.LLISON | | | | | | |
| | | | | | J.LLISON | | | | | | |
| sheet index | revision sheet | | | | | | | | | | |

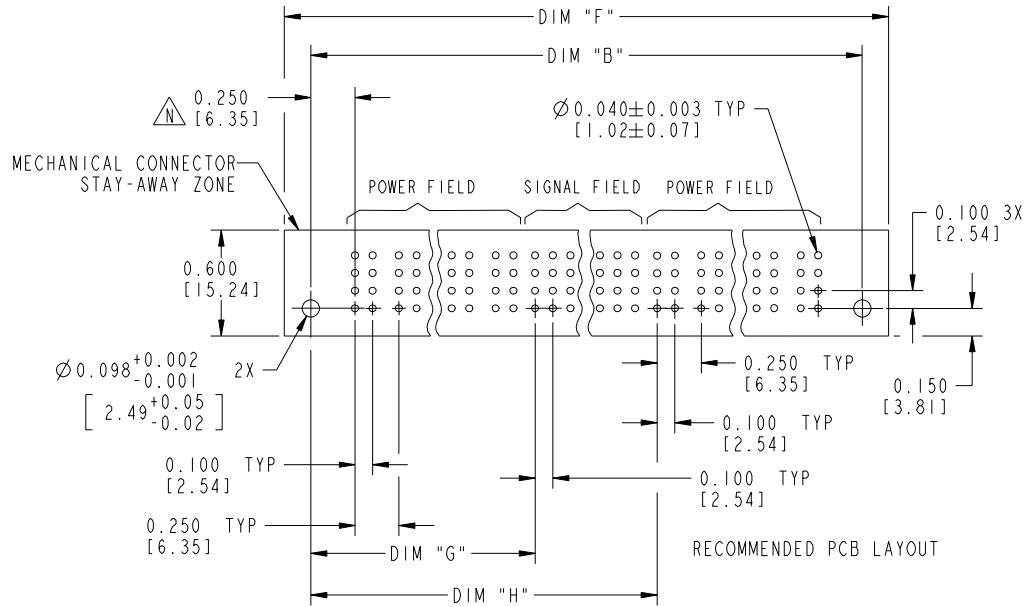
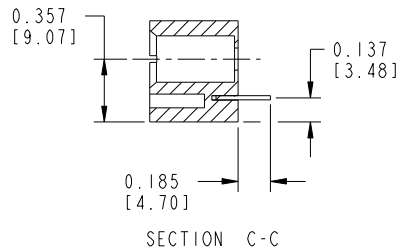
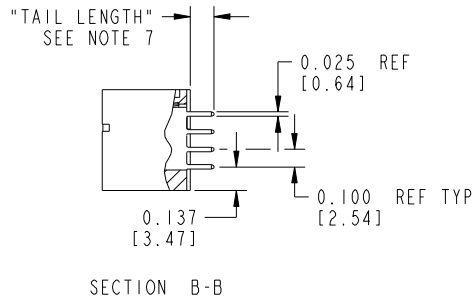
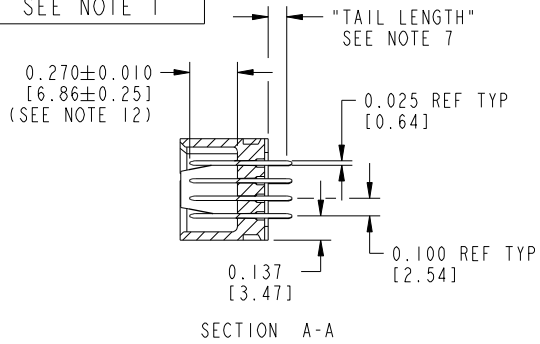
cage code 22526

Pro/E

Tous droits strictement réservés. Reproduction ou communication à des tiers interdite sous quelque forme que ce soit sans autorisation écrite du propriétaire. Propriété de c.FCI. Droits de reproduction FCI.

All rights strictly reserved. Reproduction or issue to third parties in any form whatever is not permitted without written authority from the proprietor. Property of FCI. Copyright FCI.

| |
|---------------------|
| PRODUCT NUMBER |
| 51700-ABBCCDDDEF -- |
| Note: ① |
| SEE NOTE 1 |



| | | | | | | | | | |
|-------------|----------------|--------|------|---------------------------------------|----------------------|------------|--|--|--|
| mat'l code | | NOTE 2 | | tolerances unless otherwise specified | | CUSTOMER | | FCJ | |
| ltr | ecn no. | dr | date | linear | .XX±.01/0.X±0.3 | COPY | | www.fciconnect.com | |
| N | | | | angles | .XXX±.005/0.XX±0.13 | projection | | title | |
| | | | | dr | .XXX±.0020/.XXX±.051 | INCH/MM | | VERTICAL HEADER w/ GUIDE PIN POWER / SIGNAL / POWER | |
| | | | | enr | 0° ± 2° | scale | | product family | |
| | | | | chr | JRW 10-12-01 | 1:1 | | PWRBLADE | |
| | | | | appd | J.ALLISON 10-12-01 | A | | code | |
| | | | | | J.ALLISON 10-12-01 | | | 213 | |
| sheet index | revision sheet | | | | | | | sheet | |
| | | | | | | | | 3 | |
| | | | | | | | | 3 | |

cage code 22526

Pro/E

X-ON Electronics

Largest Supplier of Electrical and Electronic Components

Click to view similar products for [Power to the Board](#) category:

Click to view products by [Amphenol](#) manufacturer:

Other Similar products are found below :

[10131318-08512GRLF](#) [6450171-4](#) [6450552-7](#) [6600323-8](#) [6643429-1](#) [6646040-2](#) [6651939-1](#) [6766604-1](#) [120959-1](#) [1393557-2](#) [1393532-2](#)
[1393532-3](#) [1393532-4](#) [1393557-1](#) [1600812-5](#) [1-6450861-2](#) [1645595-1](#) [1743490-1](#) [1744132-7](#) [1761122-1](#) [1766169-1](#) [1766250-1](#) [18362](#)
[1892109-1](#) [1-967627-6](#) [2226808-1](#) [2-6450860-5](#) [2-6450860-6](#) [2-6450870-0](#) [93003-0502](#) [953552-1](#) [1-6450161-4](#) [1-6450850-6](#) [1645526-2](#) [1-](#)
[6600130-0](#) [1743419-1](#) [1766150-1](#) [2005243-2](#) [211110-1](#) [2-6600130-2](#) [TE34-12-16P-F0](#) [51700-10201602AALF](#) [5-6450830-6](#) [5646956-4](#)
[36662-0005](#) [40585-3000](#) [4-6450830-9](#) [4-6600333-3](#) [51142-0214](#) [10125416-4050LF](#)