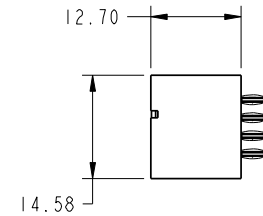
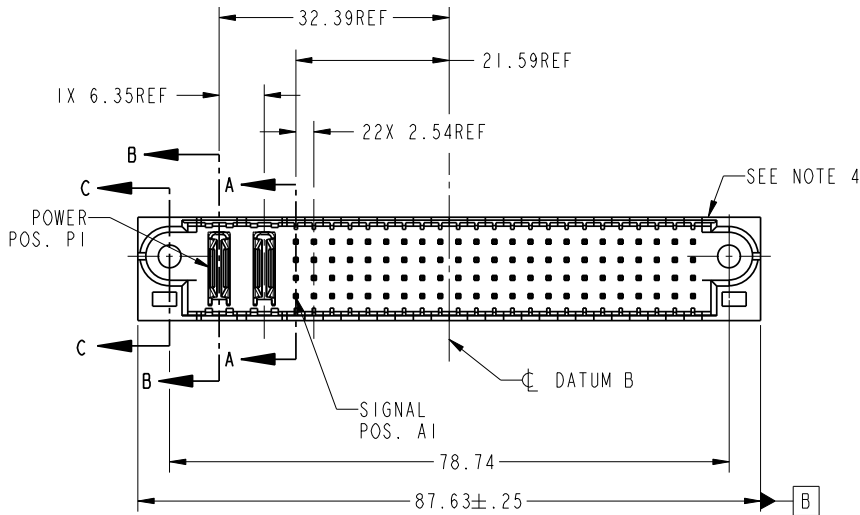


Tous droits strictement reserves. Reproduction ou communication a des tiers interdite sous quelque forme que ce soit sans autorisation écrite du propriétaire. Propriété de c FCI. Droits de reproduction FCI.



All rights strictly reserved. Reproduction or issue to third parties in any form whatever is not permitted without written authority from the proprietor. Property of FCI. Copyright FCI.

PRODUCT NO.	ROWS	POWER		SIGNAL																			E2						
		E1	P1	P2	1	2	3	4	5	6	7	8	9	10	11	12	13	14	15	16	17	18		19	20	21	22	23	
51712-004-- NOTE: 3	D C B A				G	G	G	G	G	G	G	G	G	G	G	G	G	G	G	G	G	G	G	G	G	G	G	G	



CODE	DIM "M" MATING LENGTH	CONTACT TYPE
PC	[N/A]	POWER
G	[6.86]	SIGNAL
K	[5.59]	SIGNAL

mat'l code				SEE NOTE		tolerances unless otherwise specified		CUSTOMER		FCI	
lfr	ecn no.	dr	date	linear	0.X ± 0.3		COPY		www.fciconnect.com		
A	V03-0855	MEM	8/5/03		0.XX ± 0.13		projection		title		
B	DG05-0212	SJ	07/07/05		0.XXX ± 0.051		MM		2P + 92S		
C	DG06-0011	CS	01/09/06	angles	0° ± 2°		1:1		VERTICAL PRESS FIT HEADER		
D	DG07-0357	JULIA	09/10/07	dr	M. MOSTOLLER	8/5/03	scale		product family		code
				enrg	M. MOSTOLLER	8/5/03	1:1		PwrBlade		213
				chr	H. BREWBAKER	8/5/03			size		dwg no
				appd	M. MOSTOLLER	8/5/03			A		51712-004
sheet index	revision	D	D	D	D						sheet
1	2	3	4								1 of 4

cage code 22526

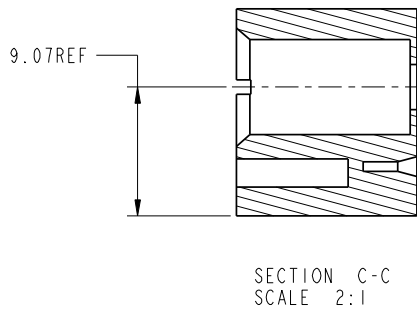
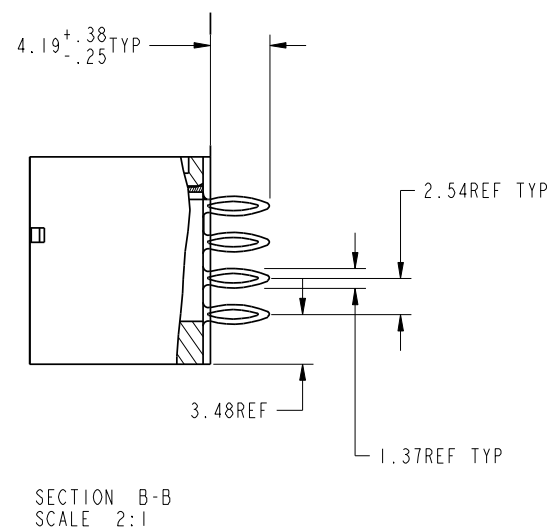
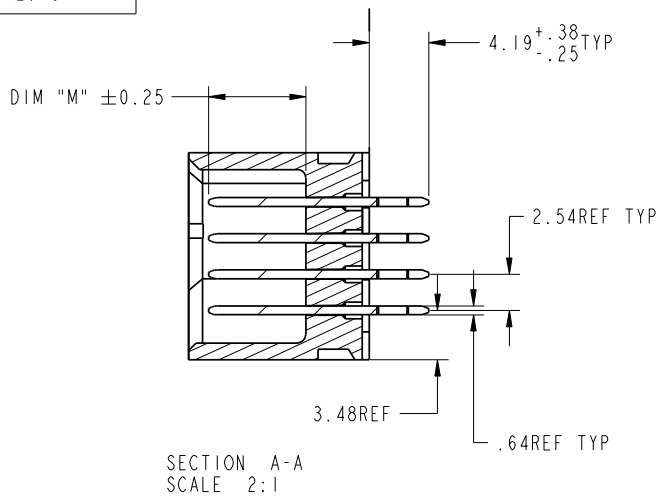
Pro/E

Tous droits strictement reserves. Reproduction ou communication a des tiers interdite sous quelque forme que ce soit sans autorisation ecrite du proprietaire. Propriete de c FCI. Droits de reproduction FCI.



All rights strictly reserved. Reproduction or issue to third parties in any form whatever is not permitted without written authority from the proprietor. Property of FCI. Copyright FCI.

PRODUCT NUMBER
51712-004--
NOTE: 3



mat'l code				SEE NOTE		tolerances unless otherwise specified		CUSTOMER		FCI www.fciconnect.com	
lfr	ecr no.	dr	date	linear	0.X ±0.3	COPY		projection		title	
					0.XX ±0.13			⊕		2P + 92S	
				angles	0.XXX ±0.051			MM		VERTICAL PRESS FIT HEADER	
				dr	M. MOSTOLLER 8/5/03			1:1		product family	PwrBlade
				enr	M. MOSTOLLER 8/5/03			size	dwg no	code	213
				chr	H. BREWBAKER 8/5/03			A	51712-004	sheet	2
				appd	M. MOSTOLLER 8/5/03						
sheet index	revision sheet										

cage code 22526

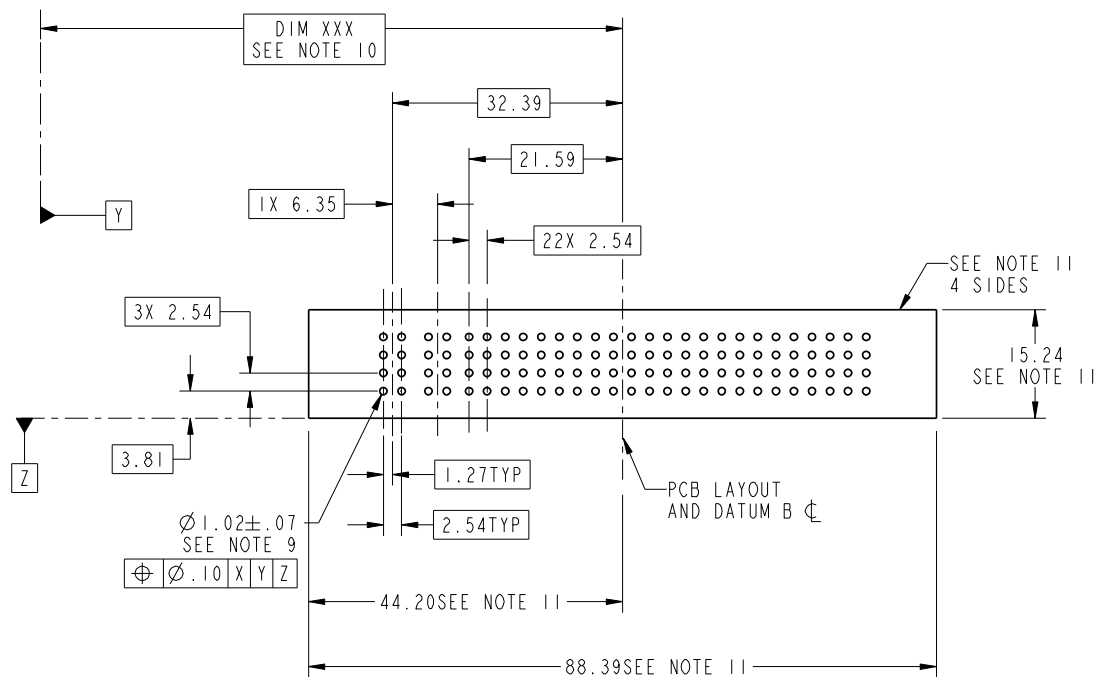
Pro/E

Tous droits strictement reserves. Reproduction ou communication a des tiers interdite sous quelque forme que ce soit sans autorisation écrite du propriétaire. Propriete de c FCI. Droits de reproduction FCI.



All rights strictly reserved. Reproduction or issue to third parties in any form whatever is not permitted without written authority from the proprietor. Property of FCI. Copyright FCI.

PRODUCT NUMBER
51712-004--
NOTE: 3



mat'l code				tolerances unless otherwise specified		CUSTOMER		FCI	
lfr	ecr no.	dr	date	linear	0.X ±0.3	COPY		www.fciconnect.com	
D				linear	0.XX ±0.13	projection		title 2P + 92S	
				angles	0.XXX ±0.051			VERTICAL PRESS FIT HEADER	
				dr	M. MOSTOLLER 8/5/03			product family PwrBlade code 213	
				enrg	M. MOSTOLLER 8/5/03			size dwg no 51712-004 sheet 3 of 4	
				chr	H. BREWBAKER 8/5/03				
				appd	M. MOSTOLLER 8/5/03				
sheet index	revision sheet					scale 1:1			

Pro/E

cage code 22526

Tous droits strictement reserves. Reproduction ou communication a des tiers interdite sous quelque forme que ce soit sans autorisation écrite du propriétaire. Propriété de c FCI. Droits de reproduction FCI.



All rights strictly reserved. Reproduction or issue to third parties in any form whatever is not permitted without written authority from the proprietor. Property of FCI. Copyright FCI.

PRODUCT NUMBER
51712-004__
NOTE: 3

NOTES:

1. DIMENSIONS AND TOLERANCES ARE IN ACCORDANCE WITH ASME Y14.5M, 1994 UNLESS OTHERWISE SPECIFIED.

CONNECTOR NOTES:

- 2 HOUSING MATERIAL: UL 94 V-0 GLASS FILLED
HIGH-TEMP THERMOPLASTIC
POWER CONTACT MATERIAL: COPPER ALLOY
SIGNAL PIN MATERIAL: COPPER ALLOY
 - 3. PLATING:
51712-004 ,51712-004LF PLATING SPEC. WAS SHOWN IN THE PRINT OF 10064183.
 - 4 MANUFACTURER'S NAME, P/N, AND DATE CODE TO APPEAR ON THIS SURFACE.
 - 5. PRODUCT SPECIFICATION GS-12-149.
APPLICATION SPECIFICATION BUS-20-067.
 - 6. PACKAGED IN TRAYS.
- PCB NOTES:
- 7. ALL HOLE DIAMETERS ARE FINISHED HOLE SIZE.
 - 8. MOUNTING HOLES, WHERE APPLICABLE, ARE UNPLATED.
 - 9 $\varnothing 1.151 \pm 0.025$ DRILLED HOLES PLATED WITH
0.008 MIN SnPb OR Sn OVER .001 [0.03]
TO 0.08 Cu PLATING TO ACHIEVE
 $\varnothing 1.02 \pm .07$ HOLE.
 - 10 "DIM XXX" TO BE DETERMINED BY THE CUSTOMER.
 - 11 CONNECTOR KEEP-OUT ZONE.
12. FOR PRESS FIT APPLICATION USE FCI CAM TOOL 430169-XXX.

mat'l code				SEE NOTE		tolerances unless otherwise specified		CUSTOMER		FCI www.fciconnect.com	
lfr	ecn no.	dr	date	linear	0.X ±0.3	COPY		projection		title	
D					0.XX ±0.13					2P + 92S VERTICAL PRESS FIT HEADER	
				angles	0.XXX ±0.051					product family PwrBlade code	
				dr	M. MOSTOLLER 8/5/03			size		213	
				enrg	M. MOSTOLLER 8/5/03			dwg no		sheet	
				chr	H. BREWBAKER 8/5/03			A		4	
				appd	M. MOSTOLLER 8/5/03	scale 1:1		51712-004			
sheet index		revision sheet									

cage code 22526

Pro/E

X-ON Electronics

Largest Supplier of Electrical and Electronic Components

Click to view similar products for [Power to the Board](#) category:

Click to view products by [Amphenol](#) manufacturer:

Other Similar products are found below :

[10131318-08512GRLF](#) [6450171-4](#) [6450552-7](#) [6600323-8](#) [6643429-1](#) [6646040-2](#) [6651939-1](#) [6766604-1](#) [120959-1](#) [1393557-2](#) [1393532-2](#)
[1393532-3](#) [1393532-4](#) [1393557-1](#) [1600812-5](#) [1-6450861-2](#) [1645595-1](#) [1743490-1](#) [1744132-7](#) [1761122-1](#) [1766169-1](#) [1766250-1](#) [18362](#)
[1892109-1](#) [1-967627-6](#) [2226808-1](#) [2-6450860-5](#) [2-6450860-6](#) [2-6450870-0](#) [93003-0502](#) [953552-1](#) [1-6450161-4](#) [1-6450850-6](#) [1645526-2](#) [1-](#)
[6600130-0](#) [1743419-1](#) [1766150-1](#) [2005243-2](#) [211110-1](#) [2-6600130-2](#) [TE34-12-16P-F0](#) [5-6450830-6](#) [5646956-4](#) [36662-0005](#) [40585-3000](#) [4-](#)
[6450830-9](#) [4-6600333-3](#) [51142-0214](#) [10134048-911LF](#) [10130248-005LF](#)