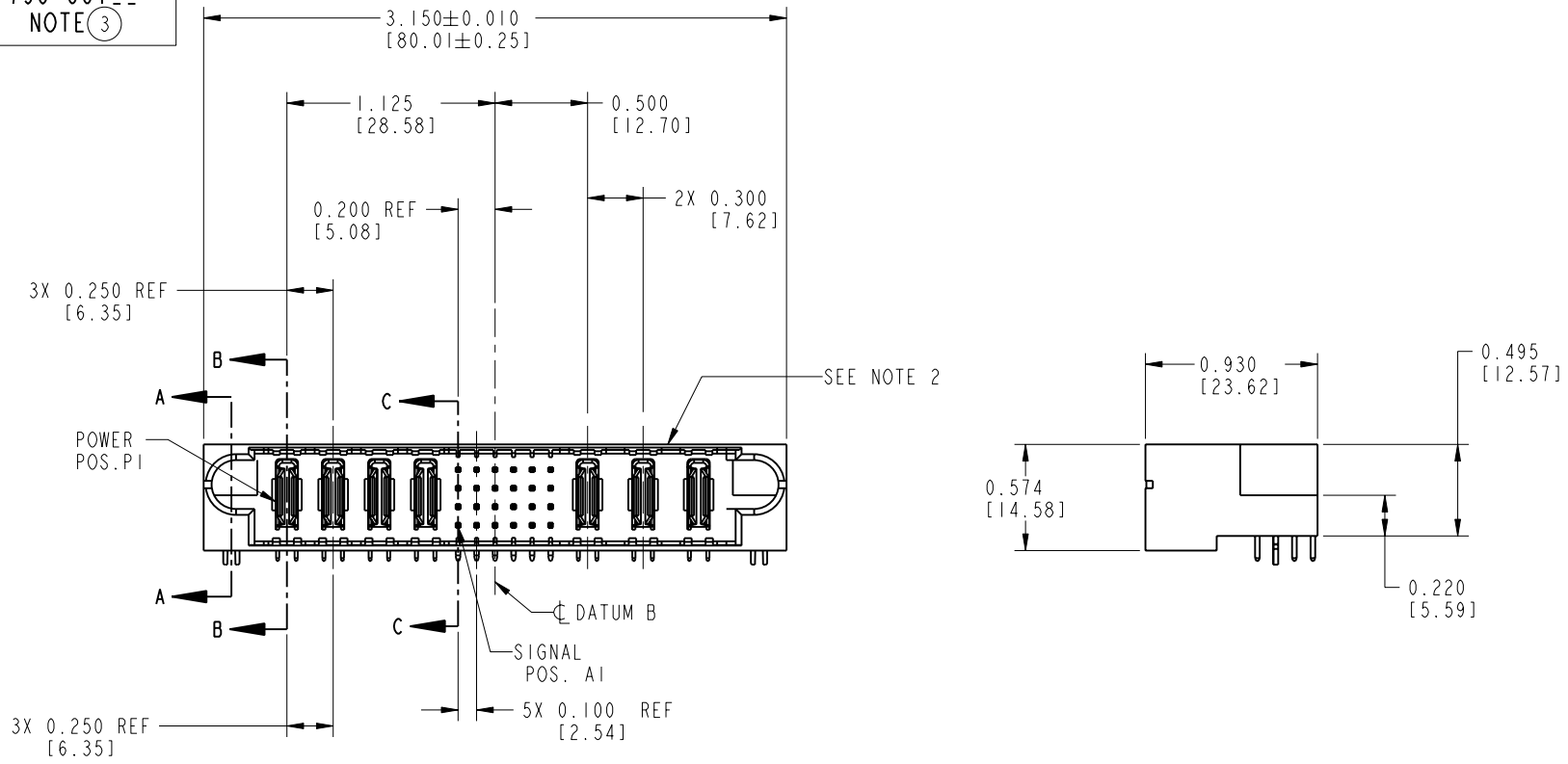


Tous droits strictement réservés. Reproduction ou communication o des liens interdite sous quelque forme que ce soit sans autorisation écrite du propriétaire. Propriete de c FCI. Droits de reproduction FCI.

FCI

All rights strictly reserved. Reproduction or issue to third parties in any form, whomever is not permitted without written authority from the proprietor. Property of FCI. Copyright FCI.

PRODUCT NUMBER
51796-001--
NOTE ③



mat'l code				tolerances unless otherwise specified		CUSTOMER COPY	 www.fciconnect.com
SEE NOTE 1							
ltr	ecn no.	dr	date	linear	.XX±.01/.X±.3	 projection	title 4P + 24S + 3ACP RIGHT ANGLE SOLDER HEADER
A	V02395	JRW	11-10-00		.XXX±.005/.XX±.13		
B	V20774	DAI	04/30/02	angles	.XXXX±.0020/.XXX±.051	 INCH / MM scale 1:1	product family PwrBlade code 213
C	V04-0882	TAB	09/01/04		0°±2°		
D	DG05-0064	SW	4/01/05	dr	E. KORFF 06-16-00	size dwg no A 51796	SHEET 1 OF 3
E	DG05-0572	JMG	01/05/06	engr	J. BROWN 06-16-00		
				chr	J. BROWN 06-16-00		
				appd	J. BROWN 06-16-00		
sheet index	revision sheet	E	E	E			
		1	2	3			

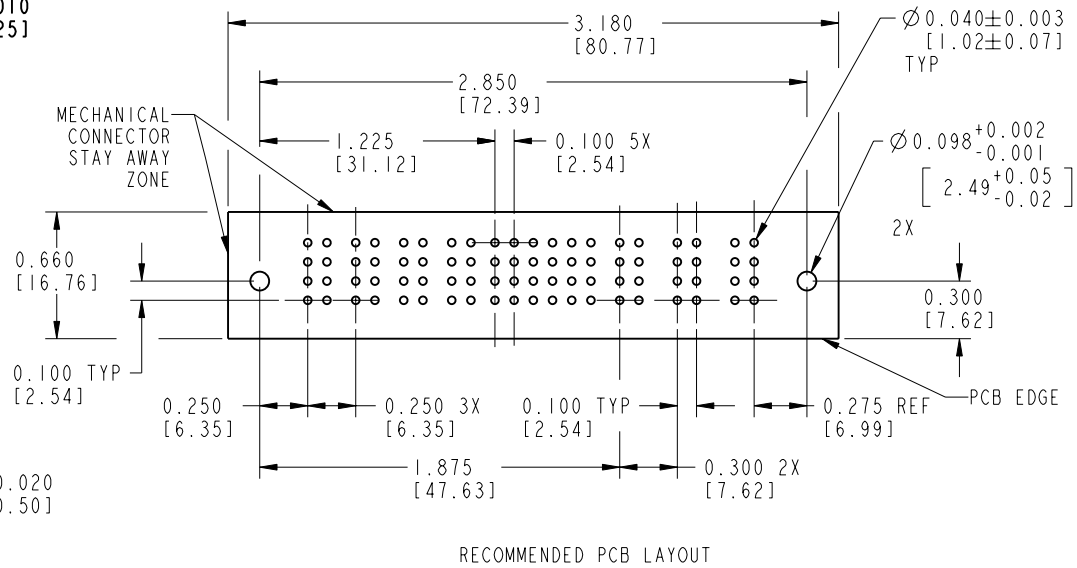
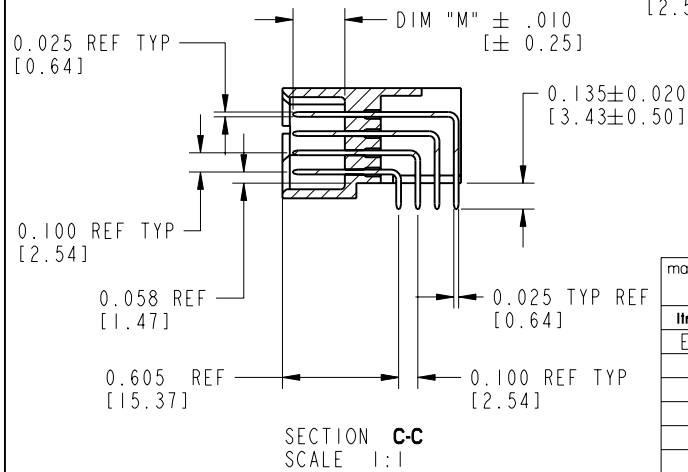
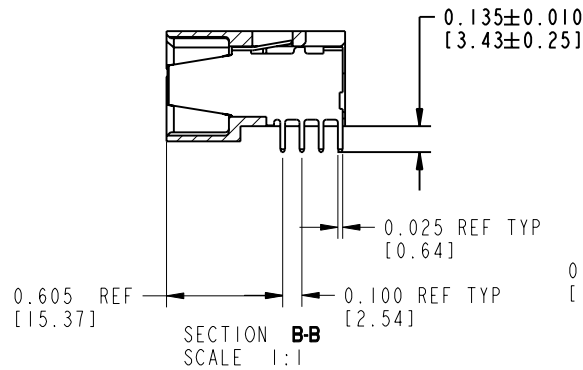
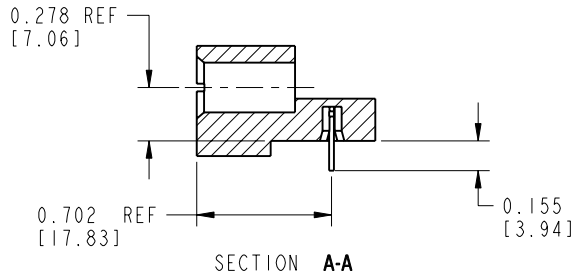
THIS FILE WAS ORIGINALLY CREATED IN THE PRO ENGINEER ENVIRONMENT AND ANY FUTURE REVISIONS TO THIS FILE MUST BE MADE IN THE PRO ENGINEER ENVIRONMENT

Tous droits strictement réservés. Reproduction ou communication o des liens interdite sous quelque forme que ce soit sans autorisation écrite du propriétaire. Propriété de c FCI. Droits de reproduction FCI.

A
FCI

All rights strictly reserved. Reproduction or issue to third parties in any form, whatever is not permitted without written authority from the proprietor. Property of FCI. Copyright FCI.

PRODUCT NUMBER
51796-001
NOTE ③



mat'l code SEE NOTE 1				tolerances unless otherwise specified		CUSTOMER COPY		 www.fciconnect.com	
ltr	ecn no.	dr	date	linear	.XX±.01/.X±.3	projection	title 4P + 24S + 3ACP RIGHT ANGLE SOLDER HEADER		
E				angles	.XXX±.005/.XX±.13 .XXXX±.0020/.XXX±.051	 INCH / MM scale 1:1	product family size	PwrBlade dwg no	code 213
				dr	E. KORFF 06-16-00		A	51796	SHEET 2
				engr	J. BROWN 06-16-00				
				chr	J. BROWN 06-16-00				
				appd	J. BROWN 06-16-00				
sheet index	revision sheet								

form no. 7530-001-103

code code
22526

PDM: Rev:E

STATUS: Released

Printed: Dec 20, 2010

Tous droits strictement réservés. Reproduction ou communication o des liers interalle sous quelque forme que ce soit sans autorisation écrite du propriétaire. Propriete de c FCI. Droits de reproduction FCI.

A **FCI**

All rights strictly reserved. Reproduction or issue to third parties in any form, whatever is not permitted without written authority from the proprietor. Property of FCI. Copyright FCI.

PRODUCT NUMBER
51796-001--
NOTE ③

NOTES:

1. DIMENSIONS AND TOLERANCES ARE IN ACCORDANCE WITH ASME Y14.5M, 1994 UNLESS OTHERWISE SPECIFIED.

CONNECTOR NOTES:

2. HOUSING MATERIAL: UL 94 V-0 GLASS FILLED HIGH-TEMP THERMOPLASTIC
POWER CONTACT MATERIAL: COPPER ALLOY
SIGNAL PIN MATERIAL: COPPER ALLOY

3. 51796-001;51796-001LF;51796-001GLF PLATING SPEC. SEE PRINT:10064183

4. MANUFACTURER'S NAME, P/N, AND DATE CODE TO APPEAR ON THIS SURFACE.

5. PRODUCT SPECIFICATION GS-12-149.
APPLICATION SPECIFICATION BUS-20-067.

PCB NOTES:

- ALL HOLE DIAMETERS ARE FINISHED HOLE SIZE.
- MOUNTING HOLES, WHERE APPLICABLE, ARE UNPLATED.
- $\varnothing .0453 \pm 0.0010$ [1.151 \pm 0.025] DRILLED HOLES PLATED WITH .0003 [0.008] MIN SnPb OVER .001 [0.03] TO .003 [0.08] Cu PLATING TO ACHIEVE $\varnothing .040 \pm .003$ [1.02 \pm .07] HOLE.
- "DIM XXX" TO BE DETERMINED BY THE CUSTOMER.
- CONNECTOR KEEP-OUT ZONE.

CODE	DIM "M" MATING LENGTH		CONTACT TYPE
PA	N/A	[N/A]	POWER
R	0.270	[6.86]	SIGNAL
S	0.270	[6.86]	SIGNAL
T	0.270	[6.86]	SIGNAL
U	0.270	[6.86]	SIGNAL
E	0.220	[5.59]	SIGNAL
HA	N/A	[N/A]	HOLD-DOWN

PRODUCT No.	ROWS	POWER				SIGNAL						POWER			E2
		E1	P1	P2	P3	P4	1	2	3	4	5	6	P5	P6	
51796-001-- NOTE ③	D C B A		PA	PA	PA	PA	UUUUUU	TTTTTT	SSSSSS	RRRRRR	PA	PA	PA		

mat'l code SEE NOTE 1				tolerances unless otherwise specified		CUSTOMER COPY	A FCI www.fciconnect.com	
ltr	ecn no.	dr	date	linear	.XX±.01/.X±.3	projection	title	4P + 24S + 3ACP
D				angles	.XXX±.005/.XX±.13 .XXXX±.0020/.XXX±.051		RIGHT ANGLE SOLDER HEADER	
				dr	0°±2°	INCH / MM	product family	PwrBlade
				engr	E. KORFF 06-16-00	scale	size	51796
				chr	J. BROWN 06-16-00	1:1	dwg no	3
				appd	J. BROWN 06-16-00		A	SHEET
sheet index	revision sheet							3

form no. 7530-001-103

code code 22526

X-ON Electronics

Largest Supplier of Electrical and Electronic Components

Click to view similar products for [Power to the Board](#) category:

Click to view products by [Amphenol](#) manufacturer:

Other Similar products are found below :

[10131318-08512GRLF](#) [6450171-4](#) [6450552-7](#) [6600323-8](#) [6643429-1](#) [6646040-2](#) [6651939-1](#) [6766604-1](#) [120959-1](#) [1393557-2](#) [1393532-2](#)
[1393532-3](#) [1393532-4](#) [1600812-5](#) [1-6450861-2](#) [1645595-1](#) [1743490-1](#) [1744132-7](#) [1761122-1](#) [1766169-1](#) [1766250-1](#) [18362](#) [1892109-1](#) [1-](#)
[967627-6](#) [2226808-1](#) [2-6450860-5](#) [2-6450860-6](#) [2-6450870-0](#) [93003-0502](#) [953552-1](#) [1-6450161-4](#) [1-6450850-6](#) [1645526-2](#) [1-6600130-0](#)
[1743419-1](#) [1766150-1](#) [2005243-2](#) [211110-1](#) [2-6600130-2](#) [TE34-12-16P-F0](#) [5-6450830-6](#) [5646956-4](#) [36662-0005](#) [40585-3000](#) [4-6450830-9](#)
[4-6600333-3](#) [51142-0214](#) [10125416-4050LF](#) [10134048-911LF](#) [10130248-005LF](#)