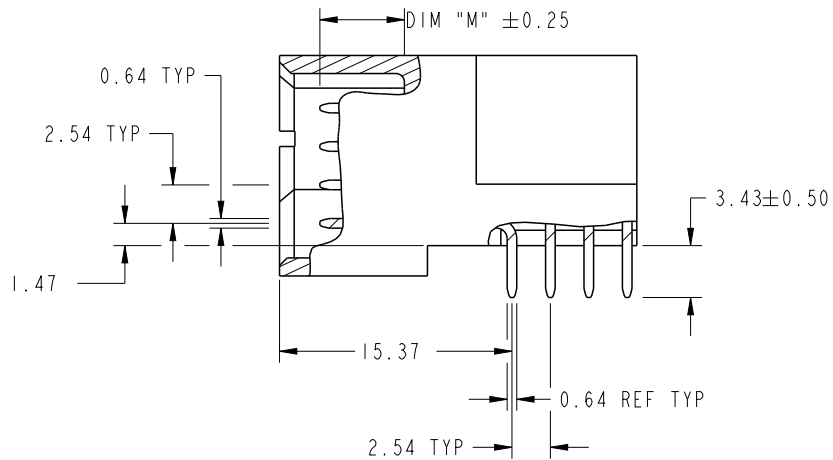


CODE	DIM "M" MATING LENGTH	CONTACT TYPE
F	[5.59]	SIGNAL
E	[5.59]	SIGNAL
T	[6.86]	SIGNAL
U	[6.86]	SIGNAL
H	[5.59]	SIGNAL
G	[5.59]	SIGNAL
PA	[N/A]	POWER

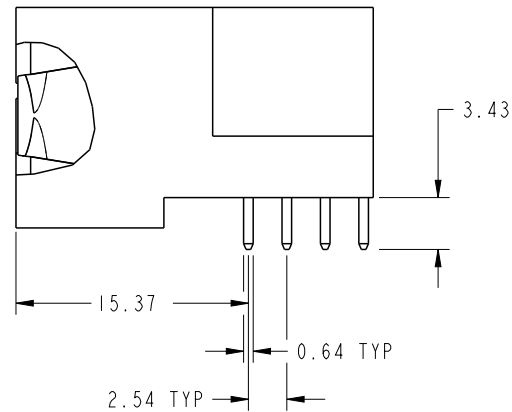
spec ref	*	dr	Ruan MT	2014/06/20	projection	MM	size	A4	scale	1:1
tolerance std	ASME Y14.5	eng	Ruan MT	2014/07/03			ecn no	-	rel level	Released
TOLERANCES UNLESS OTHERWISE SPECIFIED		chr	-	-						
surface	linear	appr	Pei-Ming Zheng	2014/07/03	product family	PwrBlade	rev	51939-893	A	
ASME Y14.5	angular	www.fci.com		cat. no.	-	Product - Customer Drw	sheet 1 of 4			
	0.X	±0.5		title	3DCP + 16S + 3ACP	dwg no	rev			
	0.XX	±0.25								
	0.XXX	±0.1								
	0°	±2°								

PRODUCT NUMBER

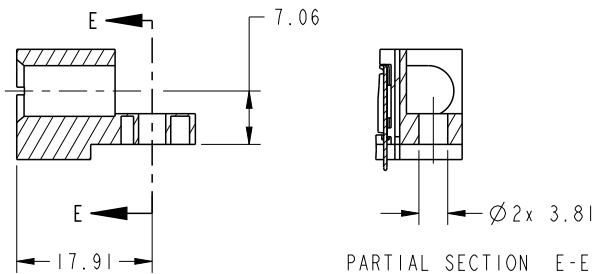
51939-893--
NOTE: 3



BROKEN-OUT SECTION A-A
SCALE 2:1



BROKEN-OUT SECTION B-B
SCALE 2:1

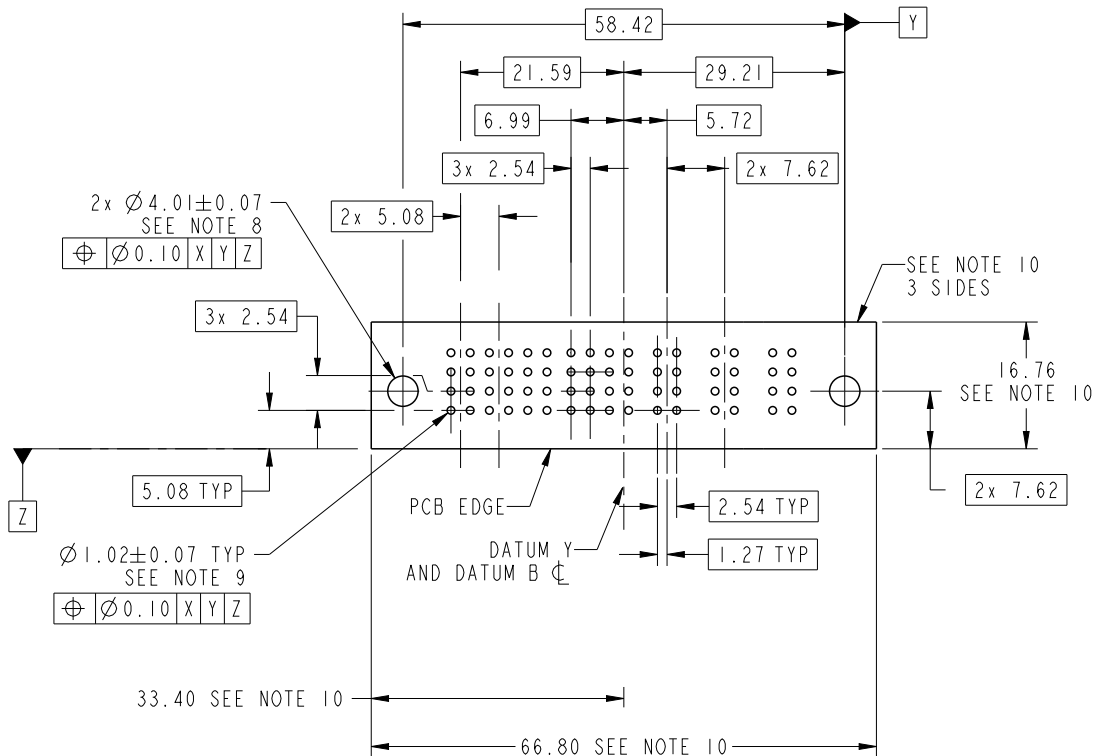


SECTION C-C

dr	Ruan MT	2014/06/20	projection 	MM ←→	size	A4	scale	1:1
eng	Ruan MT	2014/07/03			ecn no	-		
chr	-	-			rel level	Released		
appr	Pei-Ming Zheng	2014/07/03	product family	PwrBlade				
	title	3DCP + 16S + 3ACP RIGHT ANGLE XXX HEADER		dwg no	51939-893		rev	A
www.fci.com	cat. no.	-	Product - Customer Drw		sheet 2 of 4			

PRODUCT NUMBER

51939-893__
NOTE: 3



RECOMMENDED PCB LAYOUT

dr	Ruan MT	2014/06/20	projection 	MM 	size	A4	scale	1:1
eng	Ruan MT	2014/07/03			ecn no	-		
chr	-	-			rel level	Released		
appr	Pei-Ming Zheng	2014/07/03	product family	PwrBlade	rev	A		
	title	3DCP + 16S + 3ACP RIGHT ANGLE XXX HEADER		dwg no	51939-893	sheet 3 of 4		
www.fci.com	cat. no.	-	Product - Customer Drw	sheet 3 of 4				

PRODUCT NUMBER

51939-893__
NOTE: 3

NOTES:

1. DIMENSIONS AND TOLERANCES ARE IN ACCORDANCE WITH ASME Y14.5M, 1994 UNLESS OTHERWISE SPECIFIED.

CONNECTOR NOTES:

- 2. HOUSING MATERIAL: UL 94 V-0 GLASS FILLED HIGH-TEMP THERMOPLASTIC
POWER CONTACT MATERIAL: COPPER ALLOY
SIGNAL PIN MATERIAL: COPPER ALLOY
- 3. SEE ITEM 1 & 2 IN PRINT 10064183 FOR PLATING SPEC OF 51939-893 AND 51939-893LF RESPECTIVELY.
- 4. MANUFACTURER'S NAME, DATE CODE AND OPTIONAL P/N TO APPEAR ON THIS SURFACE. THE MARK CAN BE OMITTED IF THERE IS NOT ENOUGH SPACE ON THIS SURFACE.
- 5. PRODUCT SPECIFICATION GS-12-149.
APPLICATION SPECIFICATION BUS-20-067.
- 6. PACKAGED IN TRAYS.

PCB NOTES:

- 7. ALL HOLE DIAMETERS ARE FINISHED HOLE SIZE.
- 8. MOUNTING HOLES, WHERE APPLICABLE, ARE UNPLATED.
- 9. $\varnothing 1.151 \pm 0.025$ DRILLED HOLES PLATED WITH 0.008 MIN SnPb OR Sn OVER 0.03 TO 0.08 Cu PLATING TO ACHIEVE $\varnothing 1.02 \pm 0.07$ HOLE.
- 10. CONNECTOR KEEP-OUT ZONE.



Copyright FCI.

dr	Ruan MT	2014/06/20	projection 	MM 	size	A4	scale	1:1	
eng	Ruan MT	2014/07/03			ecn no	-			
chr	-	-							
appr	Pei-Ming Zheng	2014/07/03	product family	PwrBlade	rel level	Released			
	title	3DCP + 16S + 3ACP RIGHT ANGLE XXX HEADER			dwg no	51939-893		rev	A
www.fci.com	cat. no.	-	Product - Customer Drw			sheet 4 of 4			

X-ON Electronics

Largest Supplier of Electrical and Electronic Components

Click to view similar products for [Amphenol manufacturer](#):

Other Similar products are found below :

[PT01SE-16-8P\(027\)](#) [PT01SE-16-8P\(476\)](#) [CTV06RW-11-2JB-LC](#) [97-3108A-22-14P](#) [10-474017-10P](#) [MS27473P14B18S](#) [TV06RW-25-90AE](#)
[CTVS06RF-25-46PB-LC](#) [PT02E10-2PW](#) [PT02E10-2PX](#) [97-3106A18-3PX-958](#) [97-3106A18-3PY-958](#) [PT06J20-24SW](#) [TV06RL-13-35AD](#)
[TV06RL-13-98BD](#) [TV06RW-25-46AE](#) [TV06RL-13-35SD-LC](#) [TV06RL-13-35SD](#) [TV06RL-13-98SD-LC](#) [TV06RL-13-98SD](#) [TVP00RW-23-](#)
[53AD](#) [PT02E10-2PW-025](#) [100-007-213-002-001](#) [2M805-002-16NF23-12PA](#) [97-3108B16S-5PW-417](#) [97-3108B16S-5PY-417](#) [CS-](#)
[DSDMDB37MF-025](#) [97-3108B16S-5PZ-417](#) [GTC02R32-17S-025-RDS](#) [PT06SE2041P](#) [CF-5A9013-04N](#) [CF-6A4615-06N](#) [GTC02R32-17S-](#)
[025-RDS-LC](#) [GTC02R32-17S-025-LC](#) [PT06SE-24-61P\(LC\)](#) [SP28W1F](#) [TV07DT-25-37P](#) [TV07DT-25-37JN-LC](#) [TV07DT-25-37S](#) [TV07DT-](#)
[25-37S-LC](#) [TV07DT-25-46P-LC](#) [97-3101A20-21P-958](#) [TV07DT-25-90P-LC](#) [TV07DT-25-46A](#) [TV07DT-25-37P-LC](#) [GTS08-36-22PZ-025-](#)
[B30](#) [PT00SP2241P](#) [CTVPS00RF-15-15AC](#) [LJT06RT-15-35PB\(023\)](#) [TVS07RF-15-15AB](#)