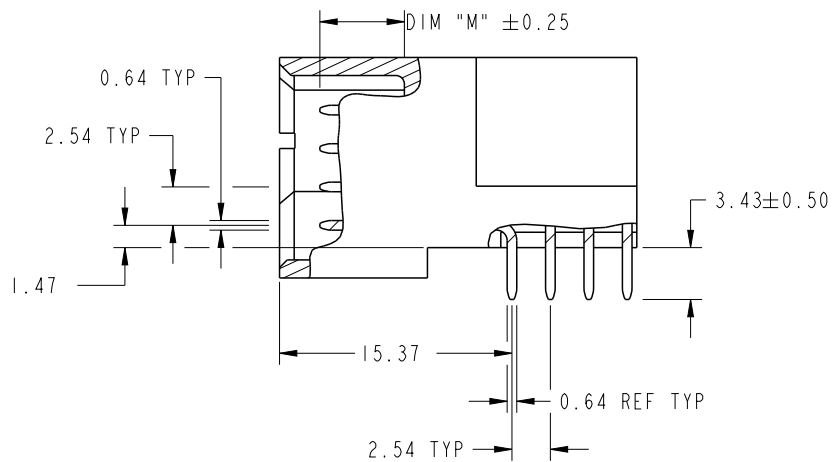


CODE	DIM "M" MATING LENGTH	CONTACT TYPE
F	[5.59]	SIGNAL
E	[5.59]	SIGNAL
T	[6.86]	SIGNAL
U	[6.86]	SIGNAL
H	[5.59]	SIGNAL
G	[5.59]	SIGNAL
PA	[N/A]	POWER

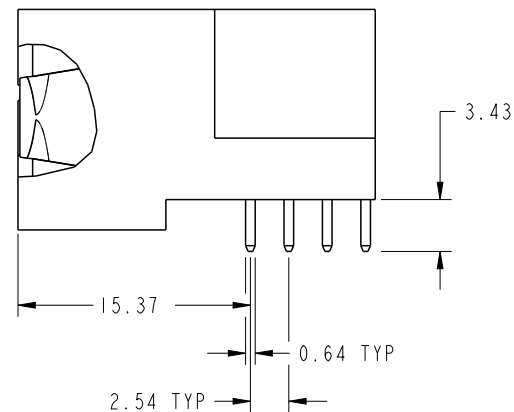
spec ref	*	dr	Ruan MT	2014/06/20	projection	MM	size	A4	scale	1:1		
tolerance std	ASME Y14.5	eng	Ruan MT	2014/07/03			ecn no	-	rel level	Released		
TOLERANCES UNLESS OTHERWISE SPECIFIED		chr	-	-								
surface	✓	appr	Pei-Ming Zheng	2014/07/03	product family	PwrBlade	rev		A			
ASME Y14.5	linear	0.X	±0.5		title	3DCP + 16S + 3ACP	dwg no	51939-893	cat. no.	-	Product - Customer Drw	sheet 1 of 4
		0.XX	±0.25									
		0.XXX	±0.1									
	angular	0°	±2°	www.fci.com								

PRODUCT NUMBER

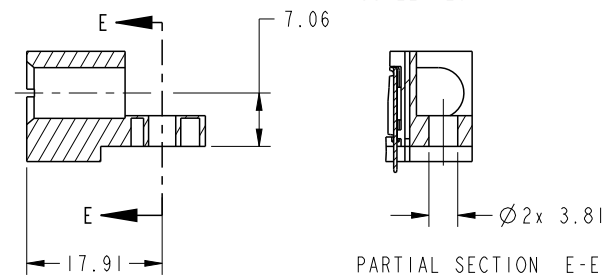
51939-893--
NOTE: 3



BROKEN-OUT SECTION A-A
SCALE 2:1



BROKEN-OUT SECTION B-B
SCALE 2:1



SECTION C-C

PARTIAL SECTION E-E

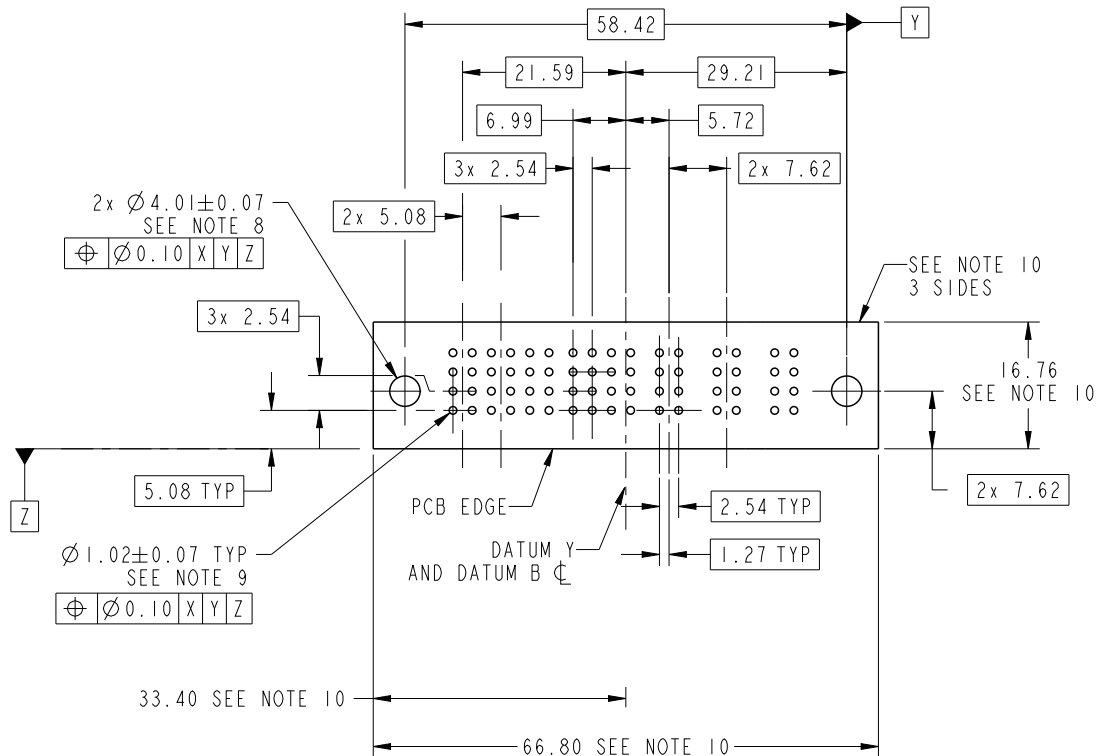
dr	Ruan MT	2014/06/20	projection 	MM ←→	size	A4	scale	1:1
eng	Ruan MT	2014/07/03			ecn no	-		
chr	-	-						
appr	Pei-Ming Zheng	2014/07/03	product family	PwrBlade	rel level	Released		
	title	3DCP + 16S + 3ACP RIGHT ANGLE XXX HEADER		dwg no	51939-893		rev	A
www.fci.com	cat. no.	-	Product - Customer Drw			sheet 2 of 4		



Copyright FCI.

PRODUCT NUMBER

51939-893__
NOTE: 3



RECOMMENDED PCB LAYOUT

dr	Ruan MT	2014/06/20	projection 	MM 	size	A4	scale	1:1	
eng	Ruan MT	2014/07/03			ecn no	-			
chr	-	-			rel level	Released			
appr	Pei-Ming Zheng	2014/07/03	product family	PwrBlade					
	title	3DCP + 16S + 3ACP RIGHT ANGLE XXX HEADER			dwg no	51939-893		rev	A
www.fci.com	cat. no.	-	Product - Customer Drw			sheet 3 of 4			

PRODUCT NUMBER

51939-893__
NOTE: 3

NOTES:

1. DIMENSIONS AND TOLERANCES ARE IN ACCORDANCE WITH ASME Y14.5M, 1994 UNLESS OTHERWISE SPECIFIED.

CONNECTOR NOTES:

- 2. HOUSING MATERIAL: UL 94 V-0 GLASS FILLED HIGH-TEMP THERMOPLASTIC
POWER CONTACT MATERIAL: COPPER ALLOY
SIGNAL PIN MATERIAL: COPPER ALLOY
- 3. SEE ITEM 1 & 2 IN PRINT 10064183 FOR PLATING SPEC OF 51939-893 AND 51939-893LF RESPECTIVELY.
- 4. MANUFACTURER'S NAME, DATE CODE AND OPTIONAL P/N TO APPEAR ON THIS SURFACE. THE MARK CAN BE OMITTED IF THERE IS NOT ENOUGH SPACE ON THIS SURFACE.
- 5. PRODUCT SPECIFICATION GS-12-149.
APPLICATION SPECIFICATION BUS-20-067.
- 6. PACKAGED IN TRAYS.

PCB NOTES:

- 7. ALL HOLE DIAMETERS ARE FINISHED HOLE SIZE.
- 8. MOUNTING HOLES, WHERE APPLICABLE, ARE UNPLATED.
- 9. $\varnothing 1.151 \pm 0.025$ DRILLED HOLES PLATED WITH
0.008 MIN SnPb OR Sn OVER 0.03
TO 0.08 Cu PLATING TO ACHIEVE
 $\varnothing 1.02 \pm 0.07$ HOLE.
- 10. CONNECTOR KEEP-OUT ZONE.



Copyright FCI.

dr	Ruan MT	2014/06/20	projection 	MM 	size	A4	scale	1:1	
eng	Ruan MT	2014/07/03			ecn no	-			
chr	-	-							
appr	Pei-Ming Zheng	2014/07/03	product family	PwrBlade	rel level	Released			
	title	3DCP + 16S + 3ACP RIGHT ANGLE XXX HEADER			dwg no	51939-893		rev	A
www.fci.com	cat. no.	-	Product - Customer Drw			sheet 4 of 4			

X-ON Electronics

Largest Supplier of Electrical and Electronic Components

Click to view similar products for [Power to the Board](#) category:

Click to view products by [Amphenol](#) manufacturer:

Other Similar products are found below :

[10131318-08512GRLF](#) [6450171-4](#) [6450552-7](#) [6600323-8](#) [6643429-1](#) [6646040-2](#) [6651939-1](#) [6766604-1](#) [120959-1](#) [1393557-2](#) [1393532-2](#)
[1393532-3](#) [1393532-4](#) [1393557-1](#) [1600812-5](#) [1-6450861-2](#) [1645595-1](#) [1743490-1](#) [1744132-7](#) [1761122-1](#) [1766169-1](#) [1766250-1](#) [18362](#)
[1892109-1](#) [1-967627-6](#) [2226808-1](#) [2-6450860-5](#) [2-6450860-6](#) [2-6450870-0](#) [93003-0502](#) [953552-1](#) [1-6450161-4](#) [1-6450850-6](#) [1645526-2](#) [1-](#)
[6600130-0](#) [1743419-1](#) [1766150-1](#) [2005243-2](#) [211110-1](#) [2-6600130-2](#) [TE34-12-16P-F0](#) [51700-10201602AALF](#) [5-6450830-6](#) [5646956-4](#)
[36662-0005](#) [40585-3000](#) [4-6450830-9](#) [4-6600333-3](#) [51142-0214](#) [10125416-4050LF](#)