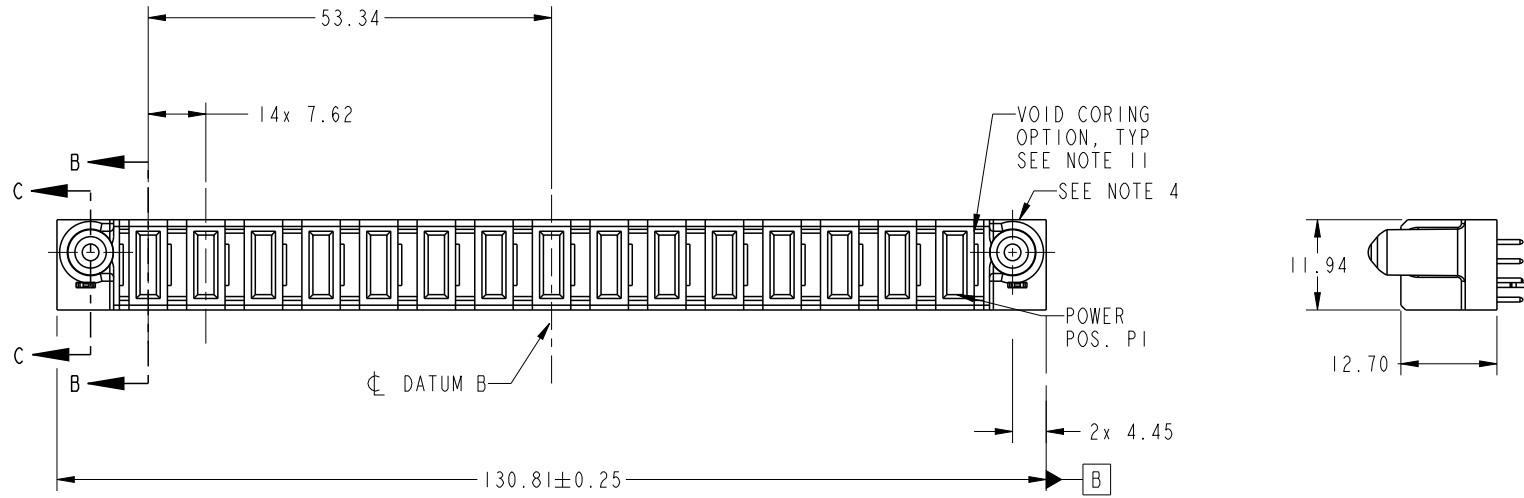


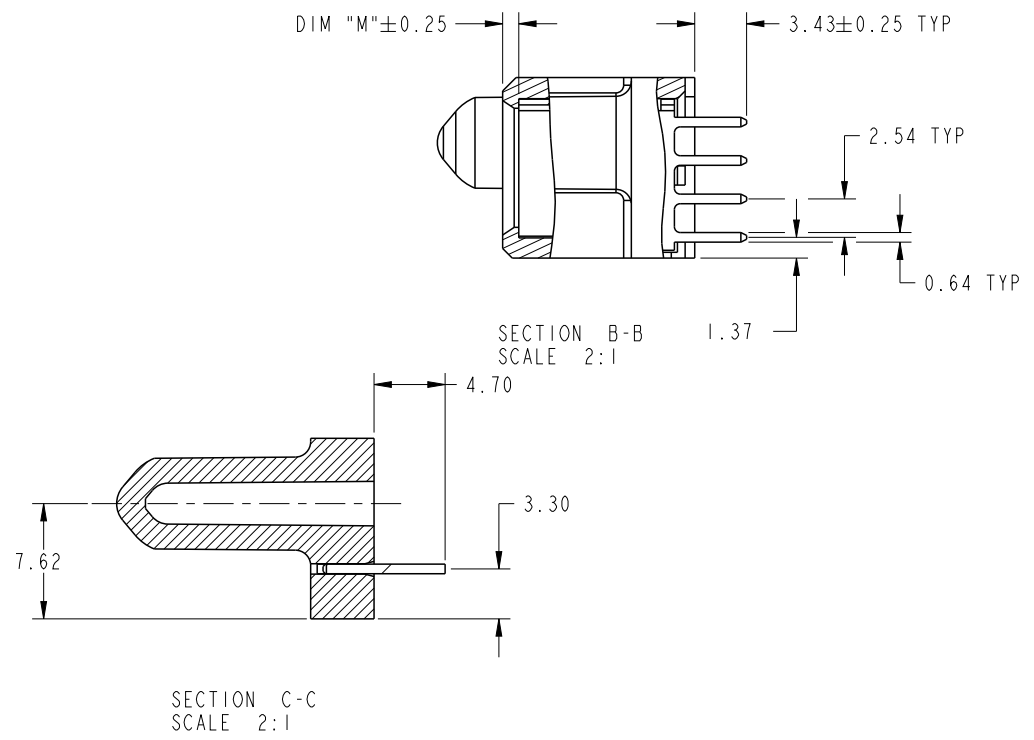
PRODUCT NO. 51940-618LF	POWER															E1
	E2	P15	P14	P13	P12	P11	P10	P9	P8	P7	P6	P5	P4	P3	P2	



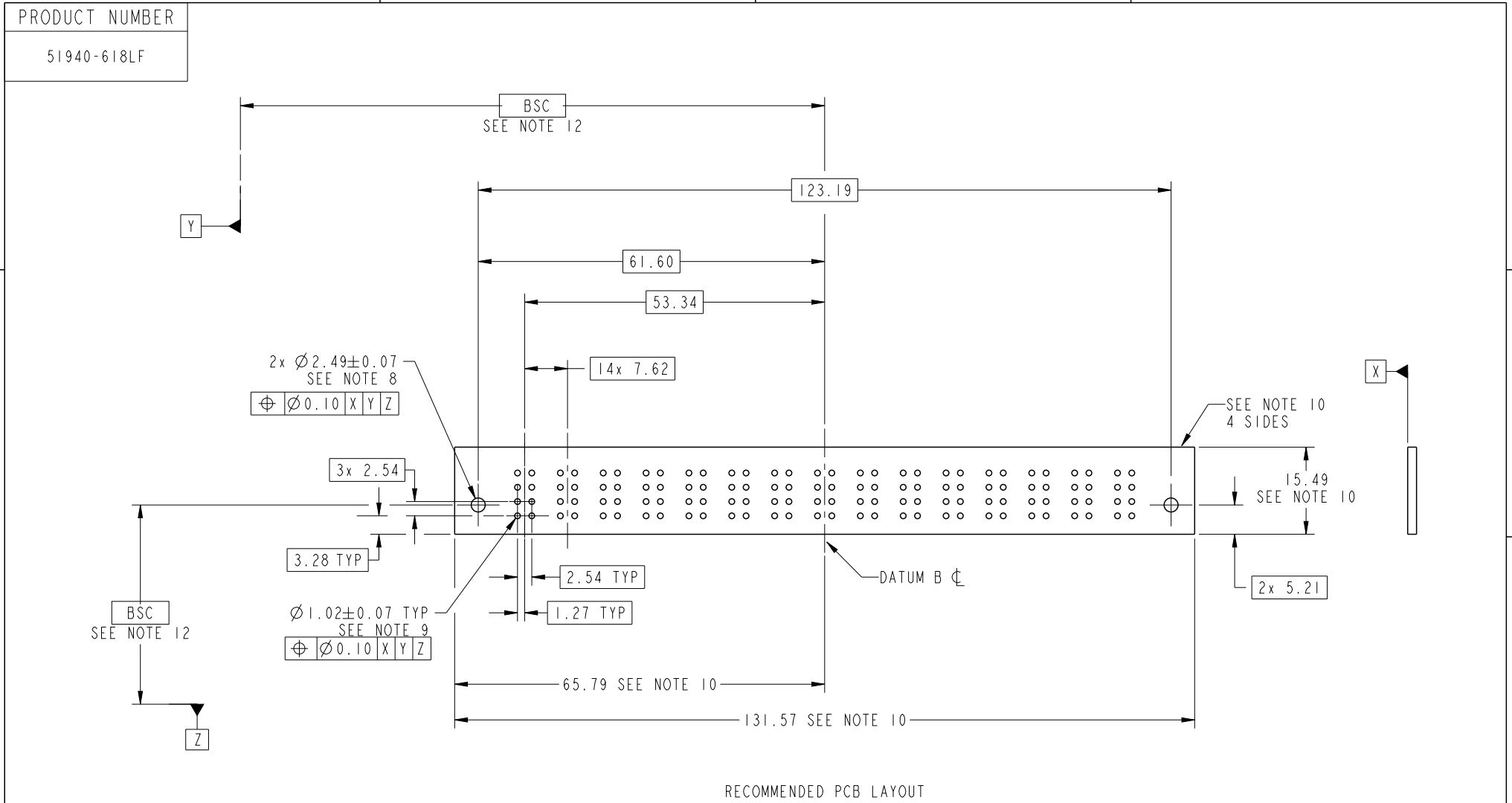
CODE	DIM "M" MATING LENGTH	CONTACT TYPE
PA	[1.07]	POWER
HA	[N/A]	HOLD-DOWN

spec ref	SEE NOTES		dr	Ruan MT	2016/07/13	projection 	MM ←→	size	A4	scale	1:1		
tolerance std	TOLERANCES UNLESS OTHERWISE SPECIFIED		eng	Ruan MT	2016/07/29			ecn no	-				
SEE NOTES			chr	Fancy Zhang	2016/07/28			rel level	Released				
surface	linear	0.X ±0.5 0.XX ±0.25 0.XXX ±0.1	appr	Pei-Ming Zheng	2016/07/29	product family	PwrBlade	rel level	Released	rev	A		
	angular	0° ±2°	Amphenol FCi		title	15ACP VERTICAL SOLDER RECEPT		dwg no	51940-618		cat. no.	Product - Customer Drw	sheet 1 of 4

PRODUCT NUMBER  
51940-618LF



spec ref		SEE NOTES		dr	Ruan MT	2016/07/13	projection 	MM ←→	size	A4	scale	1:1			
tolerance std		TOLERANCES UNLESS OTHERWISE SPECIFIED		eng	Ruan MT	2016/07/29			ecn no	-					
SEE NOTES				chr	Fancy Zhang	2016/07/28			rel level	Released					
surface		linear	0.X ±0.5	Amphenol FCi	title	15ACP	product family	PwrBlade	dwg no	51940-618	rev	A			
			0.XX ±0.25										cat. no.	Product - Customer Drw	sheet 2 of 4
		angular	0° ±2°												



spec ref	SEE NOTES			dr	Ruan MT	2016/07/13	projection 	MM 	size	A4	scale	1:1		
tolerance std	TOLERANCES UNLESS OTHERWISE SPECIFIED			eng	Ruan MT	2016/07/29			ecn no	-				
SEE NOTES				chr	Fancy Zhang	2016/07/28								
surface	linear	0.X	$\pm 0.5$	appr	Pei-Ming Zheng	2016/07/29	product family	PwrBlade	rel level	Released				
		0.XX	$\pm 0.25$	Amphenol FCi			title	I5ACP		dwg no	51940-618		rev	A
		0.XXX	$\pm 0.1$				VERTICAL SOLDER RECEPT				cat. no.	Product - Customer Drw		sheet 3 of 4
	angular	0°	$\pm 2^\circ$				Product - Customer Drw		sheet 3 of 4					

PRODUCT NUMBER

51940-618LF

NOTES:

1. DIMENSIONS AND TOLERANCES ARE IN ACCORDANCE WITH ASME Y14.5M, 1994 UNLESS OTHERWISE SPECIFIED.

CONNECTOR NOTES:

② HOUSING MATERIAL: UL 94 V-0 GLASS FILLED HIGH-TEMP THERMOPLASTIC  
POWER CONTACT MATERIAL: COPPER ALLOY  
SIGNAL PIN MATERIAL: COPPER ALLOY

3. SEE FCI PLATING SPEC 10064183.

④ MANUFACTURER'S NAME, DATE CODE AND OPTIONAL P/N TO APPEAR ON THIS SURFACE. THE MARK CAN BE OMITTED IF THERE IS NOT ENOUGH SPACE ON THIS SURFACE.

5. PRODUCT SPECIFICATION GS-12-149.  
APPLICATION SPECIFICATION BUS-20-067.

6. PACKAGED IN TRAYS.

PCB NOTES:

7. ALL HOLE DIAMETERS ARE FINISHED HOLE SIZE.

⑧ MOUNTING HOLES, WHERE APPLICABLE, ARE UNPLATED.

⑨  $\varnothing 1.151 \pm 0.025$  DRILLED HOLES PLATED WITH  
0.008 MIN SnPb OR Sn OVER 0.03  
TO 0.08 Cu PLATING TO ACHIEVE  
 $\varnothing 1.02 \pm 0.07$  HOLE.

⑩ CONNECTOR KEEP-OUT ZONE.

11. THE VOID CORING IN BETWEEN POWER MODULES, SIGNAL MODULES AND END MODULES ARE OPTIONAL AND THE SHAPE MAY BE DIFFERENT FOR OPTIMIZE THE MOLDING PROCESS. THE VOID CORING WILL NOT EFFECT TO PRODUCT FUNCTION.

⑫ DATUM AND BASIC DIMENIONS ARE ESTABLISHED BY CUSTOMER.

spec ref		SEE NOTES		dr	Ruan MT	2016/07/13	projection 	MM 	size	A4	scale	1:1
tolerance std		TOLERANCES UNLESS OTHERWISE SPECIFIED		eng	Ruan MT	2016/07/29			ecn no	-		
SEE NOTES				chr	Fancy Zhang	2016/07/28				rel level		Released
surface				appr	Pei-Ming Zheng	2016/07/29	product family		PwrBlade			
linear	0.X	$\pm 0.5$		Amphenol FCi	title	15ACP		dwg no	51940-618		rev	A
	0.XX	$\pm 0.25$										
	0.XXX	$\pm 0.1$										
angular	0°	$\pm 2^\circ$		cat. no.		Product - Customer Drw			sheet 4 of 4			

## X-ON Electronics

Largest Supplier of Electrical and Electronic Components

*Click to view similar products for [Power to the Board](#) category:*

*Click to view products by [Amphenol](#) manufacturer:*

Other Similar products are found below :

[6450171-4](#) [6450552-7](#) [6600323-8](#) [6643429-1](#) [6646040-2](#) [6651939-1](#) [6766604-1](#) [120959-1](#) [1393557-2](#) [1393532-2](#) [1393532-3](#) [1393532-4](#)  
[1393557-1](#) [1600812-5](#) [1-6450861-2](#) [1744132-7](#) [1761122-1](#) [1766250-1](#) [1892109-1](#) [2-6450860-5](#) [2-6450870-0](#) [1-6450161-4](#) [1-6450850-6](#) [1-](#)  
[6450869-6](#) [1645526-2](#) [1-6600130-0](#) [2005243-2](#) [TE34-12-16P-F0](#) [5-6450830-6](#) [5646956-4](#) [4-6450830-9](#) [4-6600333-3](#) [10125416-4050LF](#)  
[6600320-3](#) [3-6450860-5](#) [1888123-2](#) [6450166-1](#) [6643978-1](#) [6766605-1](#) [N11444](#) [6651938-1](#) [6450810-7](#) [46437-1112](#) [1-1589677-8](#) [5646956-5](#)  
[6450813-2](#) [6450129-4](#) [1645523-1](#) [PSS-06-01-T-S](#) [0465621864](#)