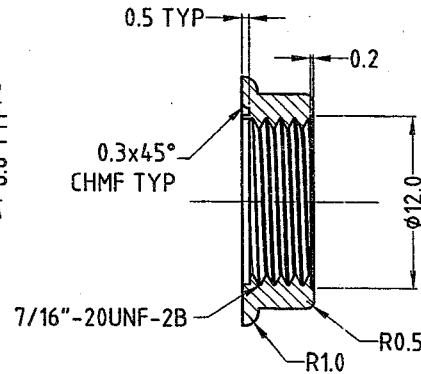
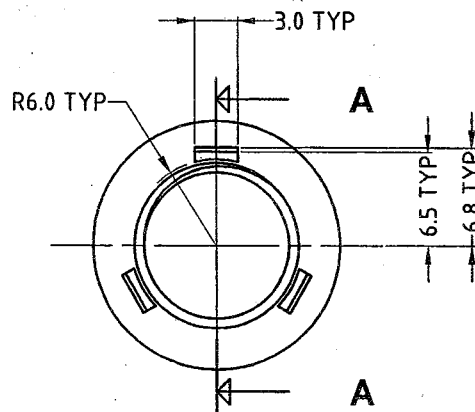
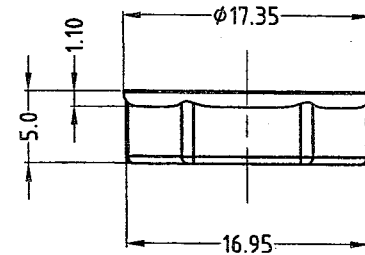
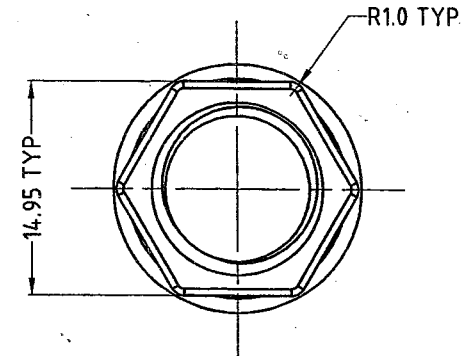


ISO VIEW



DETAIL A-A



NOTE:

1. MATERIAL: NORYL N190
2. FINISH: EXTERNAL SURFACE TO HAVE MOLD-TECH MT-11020 ETCH FINISH SURFACE TO BE CLEAN AND FLASH FREE
3. DRAFT MUST BE WITHIN TOLERANCE
4. ALL RADII TO BE 0.2mm, U.O.S

Amphenol PCD Shenzhen
受控文件
2009年02月18日

UNLESS OTHERWISE SPECIFIED TOLERANCE TO BE		THIS DOCUMENT IS THE PROPERTY OF AMPHENOL AUSTRALIA PTY. LTD. NO PART THEREOF MAY BE REPRODUCED AND USED WITHOUT THE PRIOR WRITTEN CONSENT OF THE OWNER				0	FIRST ISSUE	L.V	25-06-04	----
LINEAR	ANGULAR					REV.	CHANGE DETAILS	BY	DATE	CHG/No
X ± 0.5	X° ± 1°	CAD FILE:	52170032531110	DRN:	LV	DATE:	25-06-04	TITLE:		
X, X _K ± 0.1	X° ± 30°	MATERIAL: REFER TO NOTE 1		CKD:	M.N.H	DATE:	21-10-04	PLASTIC NUT		
X, X _K ± 0.05	X° ± 15°	FINISH: REFER TO NOTE 2		APP'D:	P.M	DATE:	21-10-04	7/16"-20UNF-2B (LARGE)		
DO NOT SCALE		DIMENSIONS IN MILLIMETRES		THIRD ANGLE PROJECTION		SCALE:	2:1 UOS	PART No:	52170032-531	SIZE: A4
								DRAWING NO.		52170032-531-1
								SHEET		1 OF 1

Amphenol

Amphenol Australia Pty Ltd, 2 Finways Blvd, Werribee, Vic 3039

X-ON Electronics

Largest Supplier of Electrical and Electronic Components

Click to view similar products for [Phone Connectors](#) category:

Click to view products by [Amphenol](#) manufacturer:

Other Similar products are found below :

[M444B](#) [6J1041A](#) [R4F](#) [E12BPKG](#) [ECP4PKG](#) [161-3502L-E](#) [MT333X](#) [171-0350-EX](#) [171-101A-EX](#) [171-3325-EX](#) [176S](#) [NC3MG-V](#)
[NYS228G](#) [P10834](#) [P2380](#) [P2381X](#) [P2411X](#) [P2412](#) [P2724](#) [JM2PB-AU BULK](#) [9144](#) [S2674](#) [280L](#) [163-156N-2-E](#) [163-158N-2-E](#) [171-3308-](#)
[EX](#) [171-3500-E](#) [2501FT](#) [CMT335](#) [M10662](#) [330Q](#) [RJ5VI-S](#) [40116](#) [TM1R-AU](#) [TM2PBMJ-AU](#) [TM2PJ-AU](#) [TM2PJ-AU BULK](#) [4803.1351](#)
[49201](#) [49205](#) [TS3PBJ-AU](#) [TS3PBMJ-AU](#) [TT32BX](#) [54B](#) [40112](#) [40205](#) [XMT332B](#) [52170017-331](#) [570](#) [NM3](#)