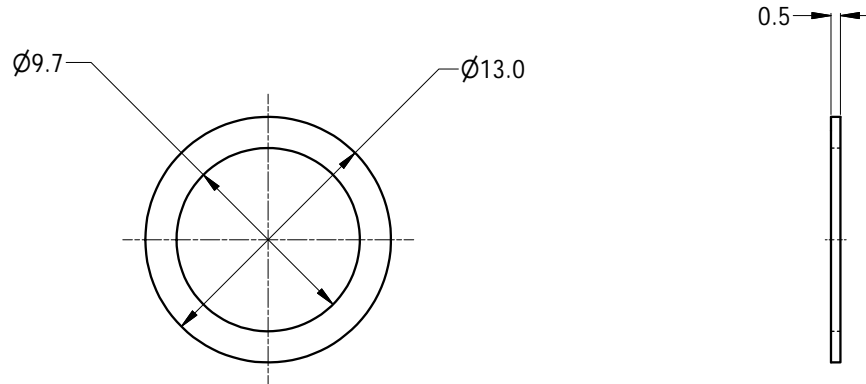


LEGEND  = KEY PRODUCT CHARACTERISTICS

REVISION HISTORY				
REV	DESCRIPTION	DATE	BY	CHG No
1	FIRST ISSUED	27/03/14	MH	----



NOTES:

1. MATERIAL: PHOSPHORE BRONZE 0.5mm THICK PER AS 1566-510 ( 94% Cu, 5% Sn, 0.03% P) OR EQUIVALENT.
2. FINISH: NICKEL PLATED 2.03 - 5.08 um (AVE) AS PER FS 4436, CLASS 1A OVER 2.03 - 3.81 um NICKEL PLATE AS PER FS 4336, CLASS 8

UNLESS OTHERWISE SPECIFIED TOLERANCE TO BE		THIS DOCUMENT IS THE PROPERTY OF AMPHENOL AUSTRALIA PTY. LTD. NO PART THEREOF MAY BE REPRODUCED AND USED WITHOUT THE PRIOR WRITTEN CONSENT OF THE OWNER				<b>Amphenol</b> Amphenol Australia Pty.Ltd, 22 Industry Boulevard, Carrum Downs, VIC 3201									
<table border="1"> <thead> <tr> <th>LINEAR</th> <th>ANGULAR</th> </tr> </thead> <tbody> <tr> <td>X ± 0.5</td> <td>X' ± 1</td> </tr> <tr> <td>X.X ± 0.2</td> <td>X.X' ± 30'</td> </tr> <tr> <td>X.XX ± 0.1</td> <td>X.XX' ± 15'</td> </tr> </tbody> </table>		LINEAR	ANGULAR	X ± 0.5	X' ± 1	X.X ± 0.2	X.X' ± 30'	X.XX ± 0.1	X.XX' ± 15'	MATERIAL: <b>PHOSPHORE BRONZE</b> SEE NOTE 1		DRN: MH	DATE: 27/03/14	TITLE: <b>FLAT METAL WASHER</b> <b>6.35 mm JACK</b>	
LINEAR	ANGULAR														
X ± 0.5	X' ± 1														
X.X ± 0.2	X.X' ± 30'														
X.XX ± 0.1	X.XX' ± 15'														
BREAK ALL SHARP EDGES AND REMOVE ALL BURRS		FINISH: <b>NICKEL PLATED</b>		CKD: P.M	DATE: 27/03/14	PART No: <b>52770015-300</b>									
DO NOT SCALE		DIMENSIONS IN MILLIMETRES		APP'D: P.M	DATE: 27/03/14	DRAWING NO. <b>52770015-300-1</b>									
				SCALE: <b>3:1</b>	SIZE: <b>A4</b>	SHEET <b>1/1</b>									
				CAD FILE: 52770015300111											

## X-ON Electronics

Largest Supplier of Electrical and Electronic Components

*Click to view similar products for [Screws & Fasteners](#) category:*

*Click to view products by [Amphenol](#) manufacturer:*

Other Similar products are found below :

[5721-1440-1/4-SS](#) [593503FX](#) [0098.0094](#) [0098.9206](#) [0098.9219](#) [0098.9262](#) [596-2114-013](#) [59781-6](#) [0098.0026](#) [0098.9210](#) [0098.9212](#) [60227-01](#) [60227-04](#) [60227-08](#) [60687-01](#) [LOCK WASHER Black](#) [62153-03](#) [62153-11](#) [M316-KSSTMCZ100](#) [M3440-SS](#) [M3442-SS](#) [M3448-SS](#) [6292-1](#) [6-306105-9](#) [6-306131-4](#) [690432-1](#) [699161-000](#) [7230-3](#) [7244](#) [7248-1](#) [7248-2](#) [745564-1](#) [F1209](#) [751-00001](#) [7680](#) [809704-1](#) [8700](#) [8860220](#) [9047](#) [9521](#) [992326-6](#) [992763-3](#) [1-18024-0](#) [1-18028-2](#) [A168P1](#) [A495P1](#) [1-24921-1](#) [125416-1](#) [1260](#) [13-0036](#) [1301810148](#)