

NOTES:

1. MATERIALS AND FINISHES:

BODY - BRASS - TIN PLATED
 CONTACT - BeCu - GOLD PLATED
 SPRING CLIP - BeCu - TIN PLATED
 INSULATOR - PTFE

2. PHYSICAL:

OPERATING TEMPERATURE = -40°C to +105°C
 DURABILITY = 150 MATING CYCLES MINIMUM
 INSERTION/WITHDRAWAL FORCES = 1.0 LB. MIN. TO 8.0 LB. MAX. WHEN TESTED IN A $\varnothing 9.78 \pm 0.05$ BORE

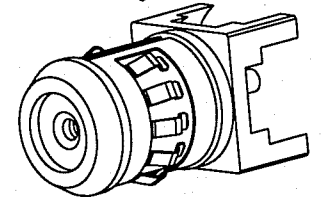
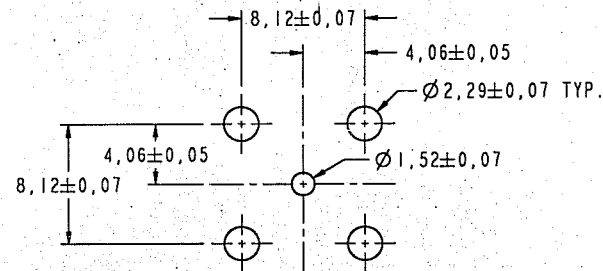
3. ELECTRICAL:

RETURN LOSS = 28 dB MINIMUM FROM DC TO 1.2 GHz
 INSERTION LOSS = 0.10 dB MAXIMUM FROM DC TO 1.2 GHz
 AC CURRENT RATING = 15 AMP CONTINUOUS, 24 AMPS FOR 2 HOURS
 PEAK VOLTAGE RATING = 1,000 VAC, 50/60 Hz

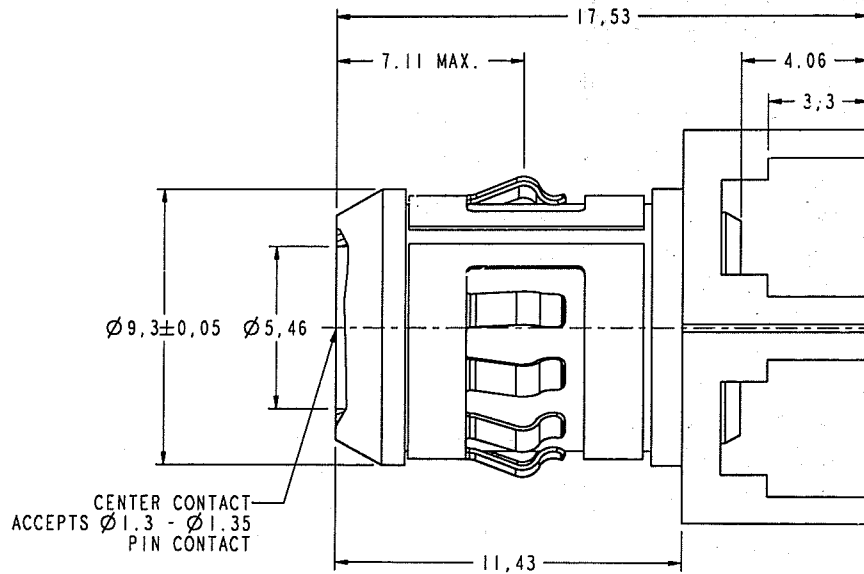
THIRD ANGLE PROJ.

REVISIONS

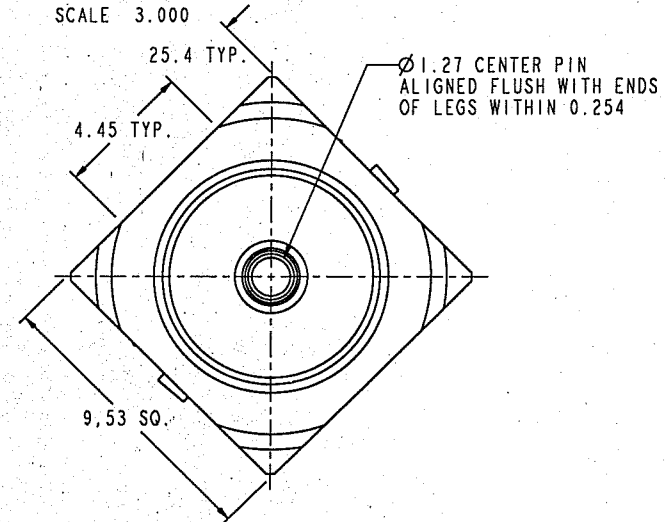
| REV | DESCRIPTION | DATE | ECO | APPR |
|-----|---------------------------------------|-----------|-------|------|
| A | RELEASE TO MFG | 02-Sep-99 | 43102 | FO |
| B | REVISED I.A.W. CUSTOMER SPECIFICATION | 9/15/00 | 43231 | BCG |
| C | SEE SHEET I | 7/11/01 | 43791 | CPM |
| D | TRANSFERRED TO ARFA | 24-Aug-10 | | |



SCALE 3.000



RECOMMENDED MOUNTING HOLE PATTERN
 SCALE 3.000



CUSTOMER OUTLINE DRAWING
 ALL OTHER SHEETS ARE FOR INTERNAL USE ONLY

UNLESS OTHERWISE SPECIFIED, DIMENSIONS ARE IN METRIC AND TOLERANCES ARE:
 < 0.5mm ± 0.05mm 0.5 - 6mm ± 0.1mm 6 - 30mm ± 0.2mm 30 - 120mm ± 0.3mm ANGLES ± 1°

NOTICE - These drawings, specifications, or other data (1) are, and remain the property of Amphenol Corp. (2) must be returned upon request; and (3) are confidential and not to be disclosed to any person other than those to whom they are given by Amphenol Corp. The furnishing of these drawings, specifications, or other data by Amphenol Corp., or to any other person to anyone for any purpose is not to be regarded by implication or otherwise in any manner licensing, granting rights, or permitting such holder or any other person to manufacture, use or sell any product, process or design, patented or otherwise, that may in any way be related to or disclosed by said drawings, specifications, or other data.

MATERIAL

DRAWN
 JASON

DATE
 23-Aug-10

ENGINEER
 F.ORBETA

DATE
 12-Jan-99

REFERENCE
 G-1, P/N 46B216
 EAR #967161-0
 GEN# ASSY-G1-BOARD

APPROVED
 SCOTT.H

DATE
 23-Aug-10

CAD FILE

I:\CATV\F&G\531-40070

FINISH

TITLE
 "G" JACK, PCB MOUNT,
 $\varnothing .052$ " MATING PLUG

SCALE: 6.0:1.0 SHEET 1 OF 1

DWG SIZE
 B

REV
 D

Amphenol RF
 Danbury CT USA, Tainan, Taiwan, Shenzhen, China
 www.amphenolrf.com

DRAWING NO. 531-40070

ITEM NO. 531-40070

PART NO. 531-40070

X-ON Electronics

Largest Supplier of Electrical and Electronic Components

Click to view similar products for [RF Connectors / Coaxial Connectors](#) category:

Click to view products by [Amphenol](#) manufacturer:

Other Similar products are found below :

[8915-1511-000](#) [89674-0827](#) [6001-7071-019](#) [6002-7051-003](#) [6002-7551-202](#) [6059674-1](#) [619550-1](#) [630059-000](#) [M39030/3-01N](#) [M3933/25-36N](#) [6500-7071-046](#) [6769](#) [CX050L2AQ](#) [7002-1542-011](#) [7004-1512-000](#) [7009-1511-004](#) [7010-1511-000](#) [7029-1511-060](#) [7101-1541-010](#) [7101-1571-002](#) [7105-1521-002](#) [7145-1521-002](#) [7203-1571-003](#) [7209-1511-011](#) [7210-1511-015](#) [7210-1511-019](#) [73137-5015](#) [73216-2241](#) [7325-1512-000](#) [73404-2300](#) [7405-1521-005](#) [7405-1521-802](#) [7406-1521-005](#) [8527](#) [8547](#) [FS11V](#) [8808-1511-001](#) [9049-9513-000](#) [9074-9513-000](#) [9101-9573-002](#) [910A205F](#) [9130-9573-002](#) [PL11SC-026](#) [PL375-33](#) [PL40-5](#) [PL71-9](#) [PL74C-221](#) [PL75MC-217](#) [PL803-7](#) [980-8666-005](#)