

NOTES:

1. MATERIALS AND FINISHES:

BODY - BRASS - TIN PLATED
 CONTACT - BeCu - BRIGHT TIN PLATED
 FERRULE - BRASS - TIN PLATED
 INSULATOR - POLYPROPYLENE

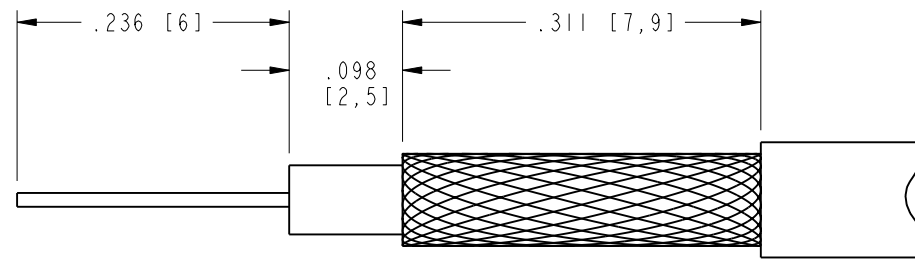
2. ELECTRICAL:

A. IMPEDANCE = 75 OHMS, NOMINAL
 B. VSWR [RETURN LOSS] (DC-1.0 GHz) = 1.25 : 1 MAX. [19.1 dB]
 (1.0-1.5 GHz) = 2.0 : 1 MAX. [9.5 dB]
 C. INSERTION LOSS (DC-1.0 GHz) = 0.10 dB MAX.
 (1.0-1.5 GHz) = 0.55 dB MAX.
 D. DIELECTRIC WITHSTANDING VOLTAGE = 1500 VRMS
 E. INSULATION RESISTANCE = 500 MEGOHMS MIN.

3. PHYSICAL:

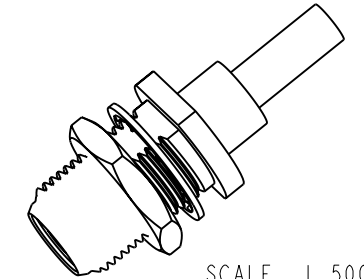
A. OPERATING TEMPERATURE = -40°F TO +140°F (-40°C TO +60°C)
 B. CENTER CONTACT TO ACCEPT Ø.022 TO Ø.042 PIN [Ø0.56 TO Ø1.07]
 C. INTERFACE IS COMPATIBLE WITH SCTE IPS-SP-401 "F" PLUGS

| | | | | | |
|-------------------|-----|----------------|---------|-------|------|
| 531-40078-1 | | REVISIONS | | | |
| DRAWING NO. | REV | DESCRIPTION | DATE | ECO | APPR |
| THIRD ANGLE PROJ. | A | RELEASE TO MFG | 5/9/01 | 43761 | CPM |
| | B | SEE SHEET 1 | 6/20/05 | 45590 | CPM |

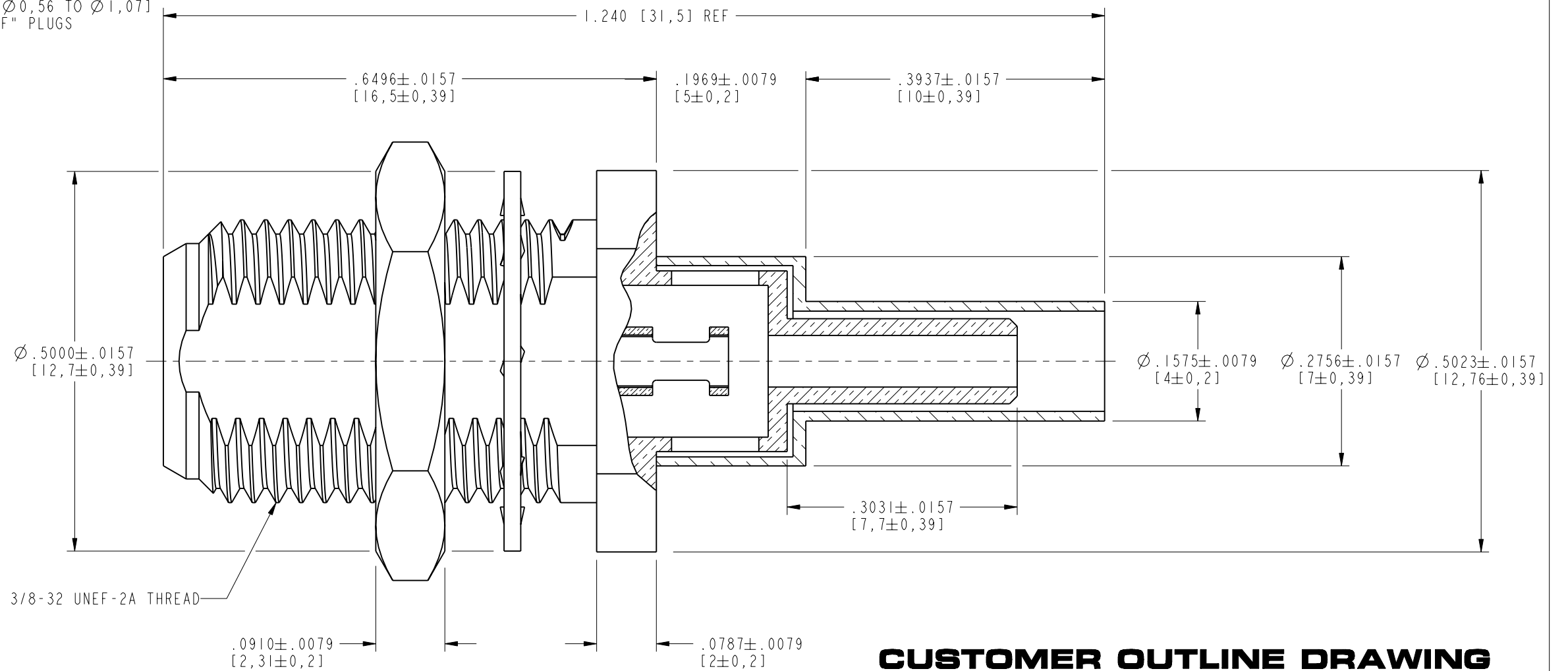
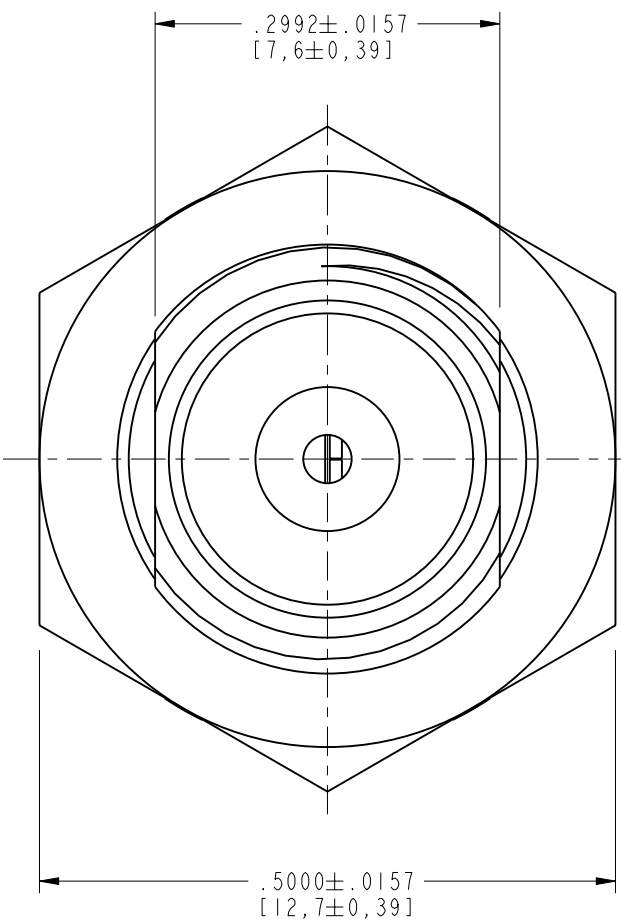


SCALE 6.000

RECOMMENDED CABLE STRIPPING DIMENSIONS



SCALE 1.500



3/8-32 UNEF-2A THREAD

CUSTOMER OUTLINE DRAWING
 ALL OTHER SHEETS ARE FOR INTERNAL USE ONLY

UNLESS OTHERWISE SPECIFIED, DIMENSIONS ARE IN INCHES AND TOLERANCES ARE:
 2 PLACE DECIMAL ±.015 (0,381 mm)
 3 PLACE DECIMAL ±.005 (0,127 mm)
 ANGLES ± 1°

NOTICE - These drawings, specifications, or other data (1) are, and remain the property of Amphenol Corp. (2) must be returned upon request; and (3) are confidential and not to be disclosed to any person other than those to whom they are given by Amphenol Corp. The furnishing of these drawings, specifications, or other data by Amphenol Corp., or to any other person to anyone for any purpose is not to be regarded by implication or otherwise in any manner licensing, granting rights or permitting such holder or any other person to manufacture, use or sell any product, process or design, patented or otherwise, that may in any way be related to or disclosed by said drawings, specifications, or other data.

| | | | |
|--------------------------------|-------------------------|---------|--|
| MATERIAL | DRAWN | DATE | TITLE |
| | C. McGRATH | 5/9/01 | 'F' RECEPTACLE, CRIMP TYPE, STRAIGHT FOR RG-179, W/ HARDWARE |
| | ENGINEER | DATE | |
| | V. NGUYEN | 5/9/01 | |
| REFERENCE | APPROVED | DATE | |
| EAR 967494-0 GEN# ASSYF10_F | O. BARTHELMES | 5/9/01 | |
| | CAD FILE | CODE ID | DWG SIZE |
| | I:\CATV\F&G\531-40078-1 | 74868 | B |

| | | | | | |
|-------------|-----|-------------|---------|-------|------|
| DRAWING NO. | REV | DESCRIPTION | DATE | ECO | APPR |
| 531-40078-1 | B | SEE SHEET 1 | 6/20/05 | 45590 | CPM |

| | | | | | |
|-------------|-----|-------------|---------|-------|------|
| DRAWING NO. | REV | DESCRIPTION | DATE | ECO | APPR |
| 531-40078-1 | B | SEE SHEET 1 | 6/20/05 | 45590 | CPM |

| | |
|---|--------------|
| Amphenol RF | |
| Danbury, CT, USA Tainan, Taiwan Shenzhen, China www.amphenolrf.com | |
| SCALE: 6.0:1 | SHEET 2 OF 2 |

X-ON Electronics

Largest Supplier of Electrical and Electronic Components

Click to view similar products for [RF Connectors / Coaxial Connectors](#) category:

Click to view products by [Amphenol](#) manufacturer:

Other Similar products are found below :

[8915-1511-000](#) [89674-0827](#) [6001-7071-019](#) [6002-7051-003](#) [6002-7551-202](#) [6059674-1](#) [619550-1](#) [630059-000](#) [M39030/3-01N](#) [M3933/25-36N](#) [6500-7071-046](#) [6769](#) [CX050L2AQ](#) [7002-1542-011](#) [7004-1512-000](#) [7009-1511-004](#) [7010-1511-000](#) [7029-1511-060](#) [7101-1541-010](#) [7101-1571-002](#) [7105-1521-002](#) [7145-1521-002](#) [7203-1571-003](#) [7209-1511-011](#) [7210-1511-015](#) [7210-1511-019](#) [73137-5015](#) [73216-2241](#) [7325-1512-000](#) [73404-2300](#) [7405-1521-005](#) [7405-1521-802](#) [7406-1521-005](#) [8527](#) [8547](#) [FS11V](#) [8808-1511-001](#) [9049-9513-000](#) [9074-9513-000](#) [9101-9573-002](#) [910A205F](#) [9130-9573-002](#) [PL11SC-026](#) [PL375-33](#) [PL40-5](#) [PL71-9](#) [PL74C-221](#) [PL75MC-217](#) [PL803-7](#) [980-8666-005](#)