

NOTES:

1. MATERIALS AND FINISHES:

BODY - BRASS, BRIGHT ACID TIN PLATING (.000200" MIN.)  
 OVER NICKEL PLATING (.000100" MIN.)  
 CONTACT - BERYLLIUM COPPER, BRIGHT ACID TIN PLATING (.000100" MIN.)  
 OVER NICKEL PLATING (.000100" MIN.)  
 INSULATOR - PTFE

2. ELECTRICAL:

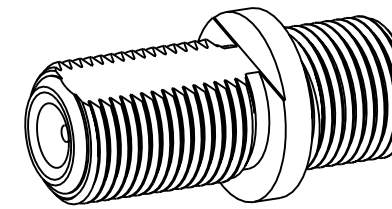
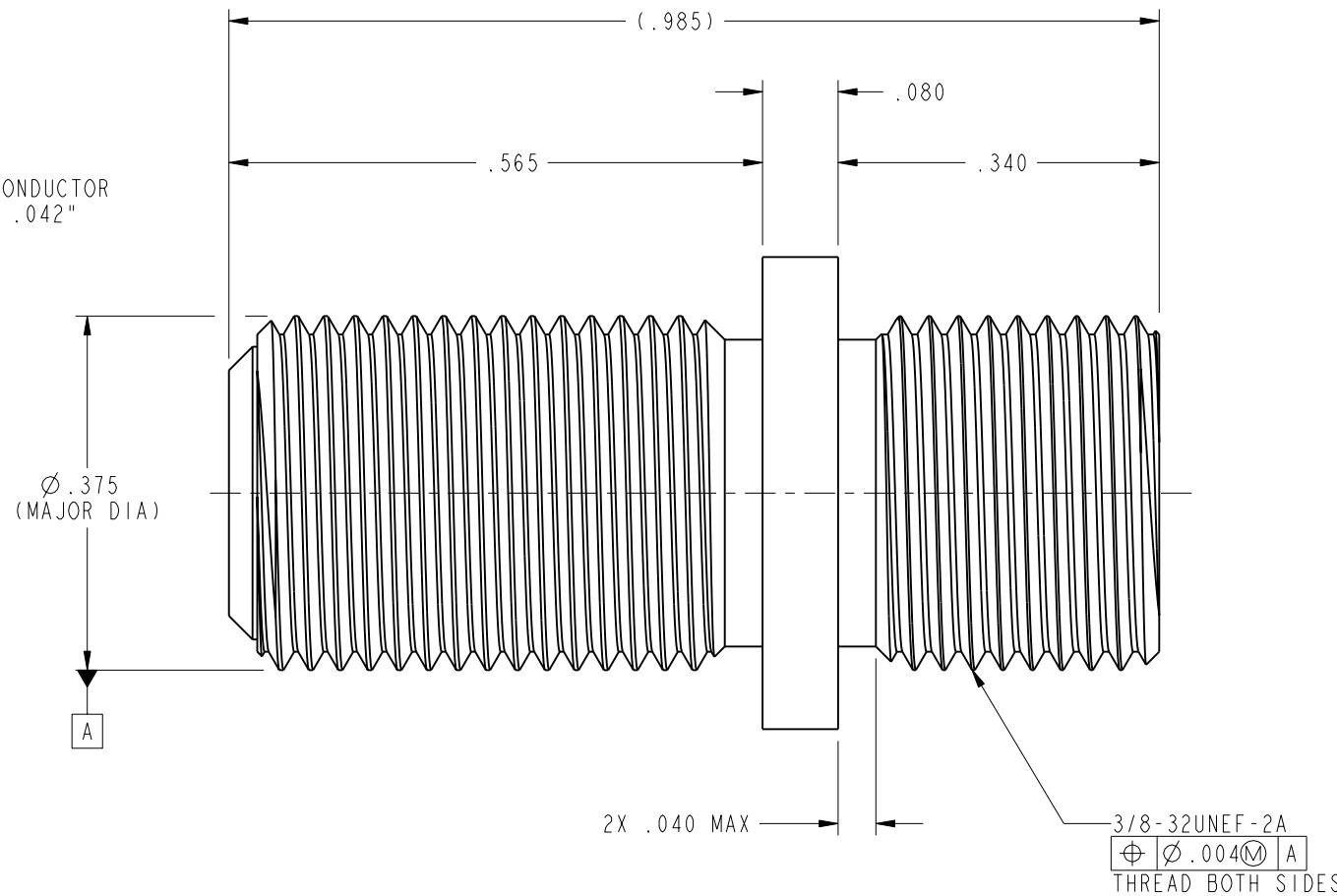
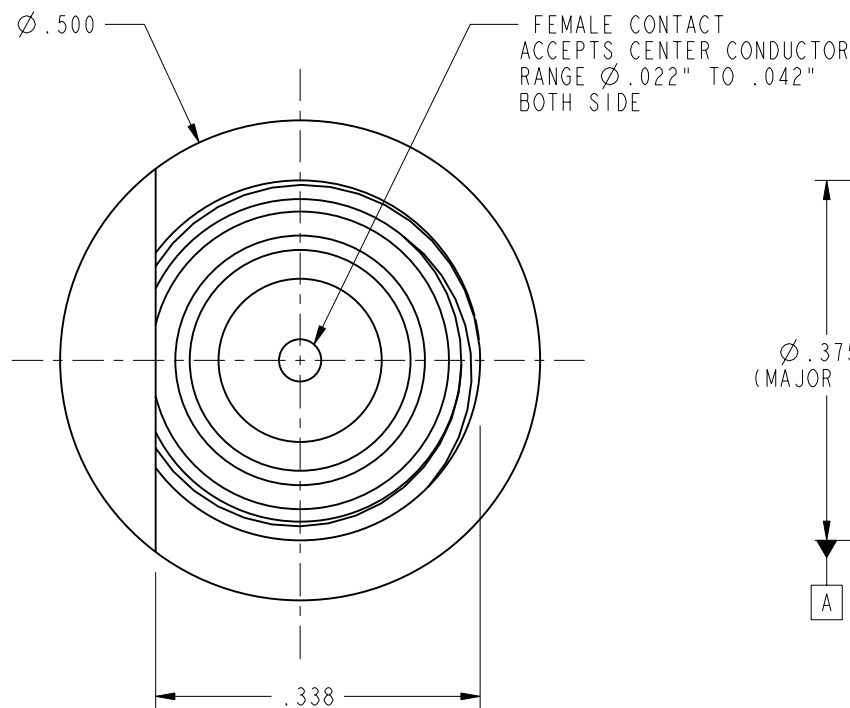
A. IMPEDANCE: 75 OHM  
 B. FREQUENCY RANGE: 5 MHz DC - 1.2 GHz  
 C. VSWR(RETURN LOSS): 1.065 (30 dB), MAX.  
 D. D.W.V.: 1500 VRMS, MIN.  
 E. CURRENT RATING: 1 AMPERE DC, CONTINUOUS  
 F. CONTACT RESISTANCE: CENTER = 2.0 MILLIOHMS MAX.  
 OUTER = 1.0 MILLIOHMS MAX.

3. MECHANICAL:

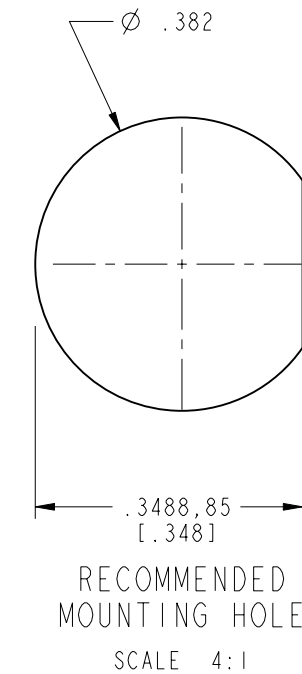
A. DURABILITY: 200 CYCLES @ 10 CYCLES/MINUTE  
 B. TEMPERATURE RANGE: -40° C TO 85° C

4. PACKAGING:

A. QUANTITY: SINGLE PACK  
 B. MARK OR TAG BAG: AMPHENOL  
 531-40120  
 DATE CODE (YYWW)



SCALE 2.000



RECOMMENDED MOUNTING HOLE  
 SCALE 4:1

**CUSTOMER OUTLINE DRAWING**  
 ALL OTHER SHEETS ARE FOR INTERNAL USE ONLY

UNLESS OTHERWISE SPECIFIED, DIMENSIONS ARE IN INCHES AND TOLERANCES ARE:  
 2 PLACE DECIMAL 3 PLACE DECIMAL ANGLES  
 ±.015 (0,381 mm) ±.005 (0,127 mm) ± 1°

NOTICE - These drawings, specifications, or other data (1) are, and remain the property of Amphenol Corp. (2) must be returned upon request; and (3) are confidential and not to be disclosed to any person other than those to whom they are given by Amphenol Corp. The furnishing of these drawings, specifications, or other data by Amphenol Corp., or to any other person to anyone for any purpose is not to be regarded by implication or otherwise in any manner licensing, granting rights or permitting such holder or any other person to manufacture, use or sell any product, process or design, patented or otherwise, that may in any way be related to or disclosed by said drawings, specifications, or other data.

MATERIAL  
 DRAWN K. CAPOZZI  
 ENGINEER B. C. GLEISSNER  
 APPROVED O. BARTHELMES  
 CAD FILE I:\CATV\F&G\531-40120  
 REFERENCE 616X-1059-400  
 EAR# 458  
 GEN# ASSYF12\_F

DATE 11-FEB-02  
 DATE 11-FEB-02  
 DATE 13-FEB-02

TITLE  
 F ADAPTER,  
 FEMALE TO FEMALE  
 CODE ID 74868  
 DWG SIZE B  
 DRAWING NO. 531-40120

Amphenol  
 Amphenol Corporation  
 Communication and Network  
 Products Division  
 Danbury, CT U.S.A. 06810  
 SCALE: 5.0:1 SHEET 2 OF 2  
 REV A

531-40120		REVISIONS			
DRAWING NO.	REV	DESCRIPTION	DATE	ECO	APPR
THIRD ANGLE PROJ.	A	RELEASE TO MFG.	2/14/02	43962	BCG

## X-ON Electronics

Largest Supplier of Electrical and Electronic Components

*Click to view similar products for [RF Adapters - In Series category:](#)*

*Click to view products by [Amphenol manufacturer:](#)*

Other Similar products are found below :

[5916-1103-603](#) [5918-1103-000](#) [5919-1503-000](#) [651A505](#) [82-5552](#) [9030-9523-502](#) [A0407000](#) [R114703000W](#) [R125704000](#) [R125771001](#)  
[R141710000W](#) [R141723161](#) [R141730000](#) [R143730700](#) [R143770000](#) [R161703000W](#) [R161730000](#) [R161753000W](#) [R161791530W](#)  
[R201705000](#) [R222705200](#) [R222M40010W](#) [R223703180](#) [R316754000](#) [R405006000](#) [R443162000](#) [AD78TL](#) [HRM-513S](#) [1996352-2](#)  
[2157155-1](#) [252169-75](#) [AD158](#) [2101130-1](#) [252186](#) [R114704000W](#) [R114720000W](#) [R125705001](#) [R125705701](#) [R125771000](#) [R125771001W](#)  
[R125791501W](#) [R127704001](#) [R127.870.001](#) [R127872001](#) [R141717000](#) [R142710000](#) [R142723000](#) [R143703000](#) [R143704000](#) [R143705700](#)