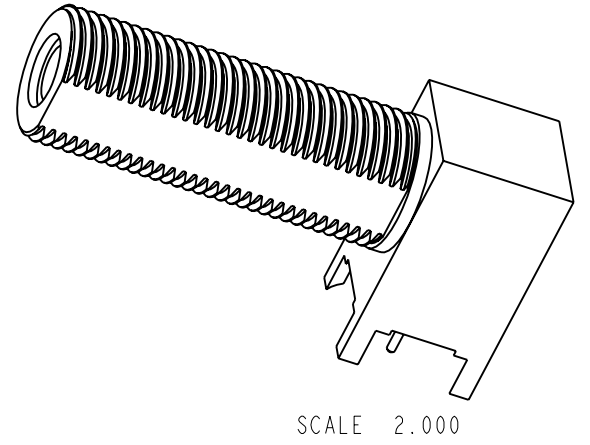
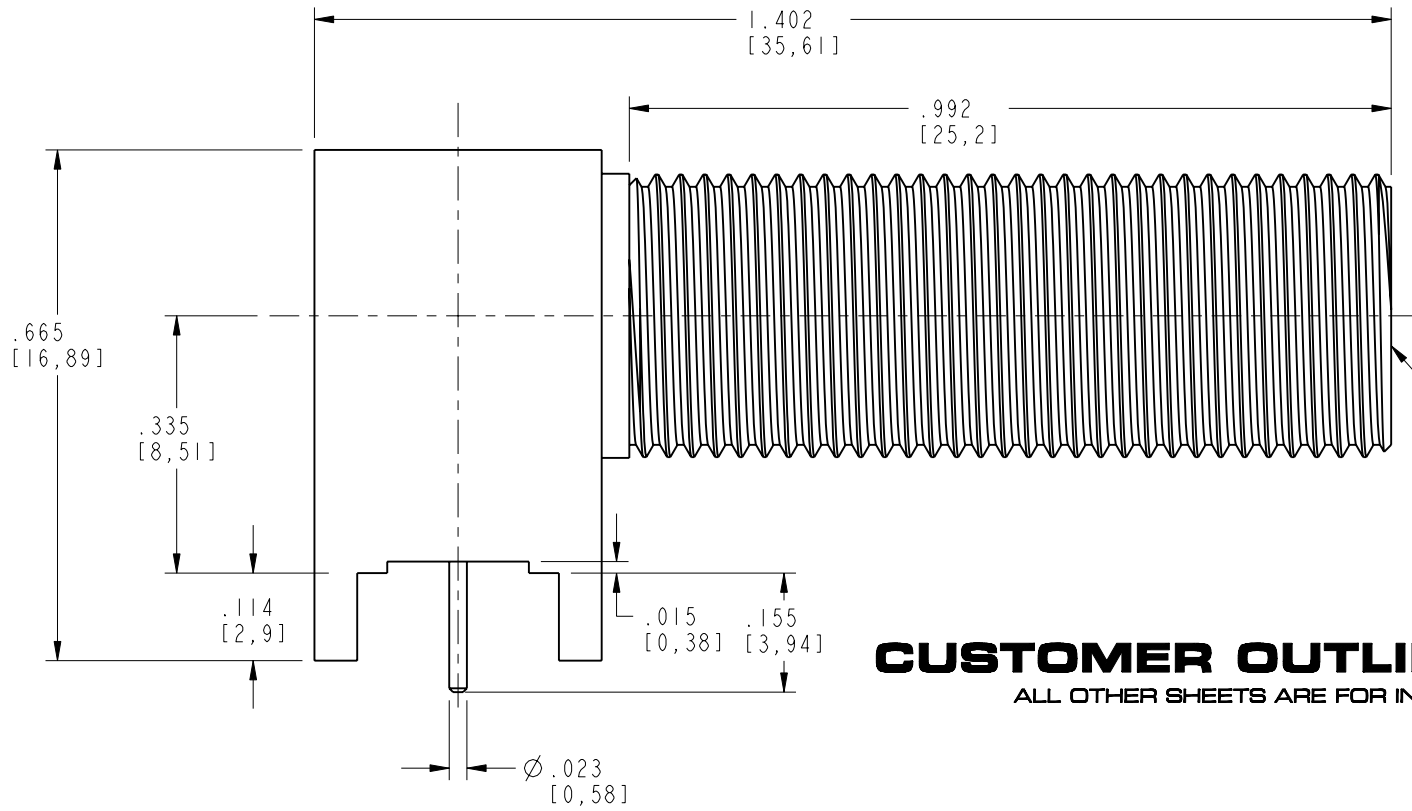


NOTES:

1. MATERIALS AND FINISHES:
 BODY CUBE - BRASS, MATTE TIN PLATING OVER NICKEL OVER COPPER
 BODY BARREL - BRASS, MATTE TIN PLATING OVER NICKEL OVER COPPER
 MALE CONTACT - BRASS, MATTE TIN PLATING OVER NICKEL. WISKER FREE
 FEMALE CONTACT - BeCu, MATTE TIN PLATING OVER NICKEL. WISKER FREE
 INSULATORS - PTFE
2. ELECTRICAL:
 A. IMPEDANCE: 75 OHM
 B. FREQUENCY RANGE: DC -3.0 GHz
 C. RETURN LOSS: 25 dB MIN (1.12 MAX VSWR)
3. MECHANICAL:
 A. DURABILITY: 150 CYCLES MIN.
 B. TEMPERATURE RANGE: -40° C TO +105° C
4. PACKAGING:
 A. QUANTITY: SINGLE PACK
 B. MARKING: BAG TO BE MARKED
 "AMPHENOL, 531-40156, AND DATE CODE"
5. MEETS THE FOLLOWING TORQUE SPEC WHEN TESTED PER 349-50729
 MATING TORQUE: 30 IN-LBS
 BULKHEAD TORQUE: 12 IN-LBS

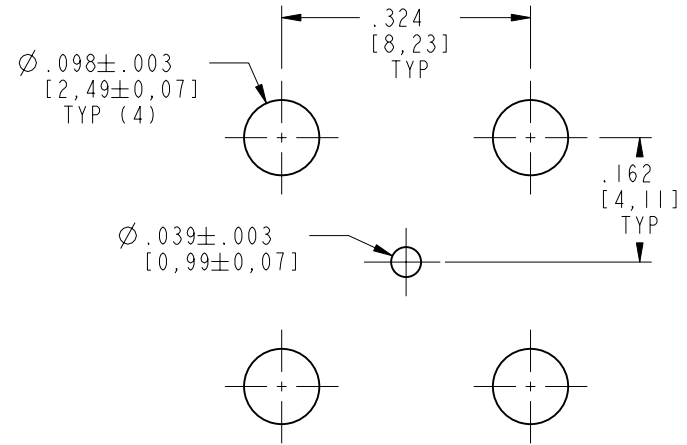
531-40156		REVISIONS			
DRAWING NO.	REV	DESCRIPTION	DATE	ECO	APPR
THIRD ANGLE PROJ.	A	RELEASE TO MFG.	8/13/03	44581	KJC
	B	FEMALE CONTACT PLATING WAS GOLD	5/2/05	45527	KJC
	C	ADDED NOTE 5	6/6/05	45557	CPM
	D	NOTE 1 CHANGED TO MATTE TIN	11/1/05	45784	CPM
	E	DRAWING IS RELEASE IN ARFA	10-Dec-08		S.H



ACCEPTS FULL F PIN RANGE
 (∅ .022-∅ .042)
 [∅ 0.56-∅ 1.07]

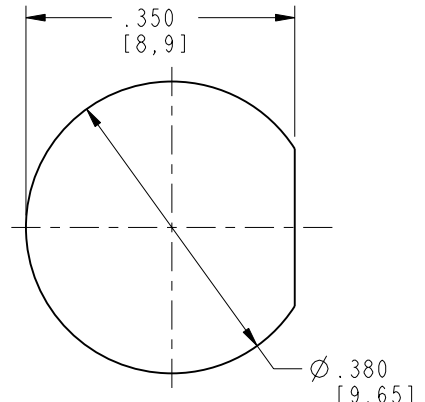
CUSTOMER OUTLINE DRAWING
 ALL OTHER SHEETS ARE FOR INTERNAL USE ONLY

RECOMMENDED PCB MOUNTING DIMENSIONS

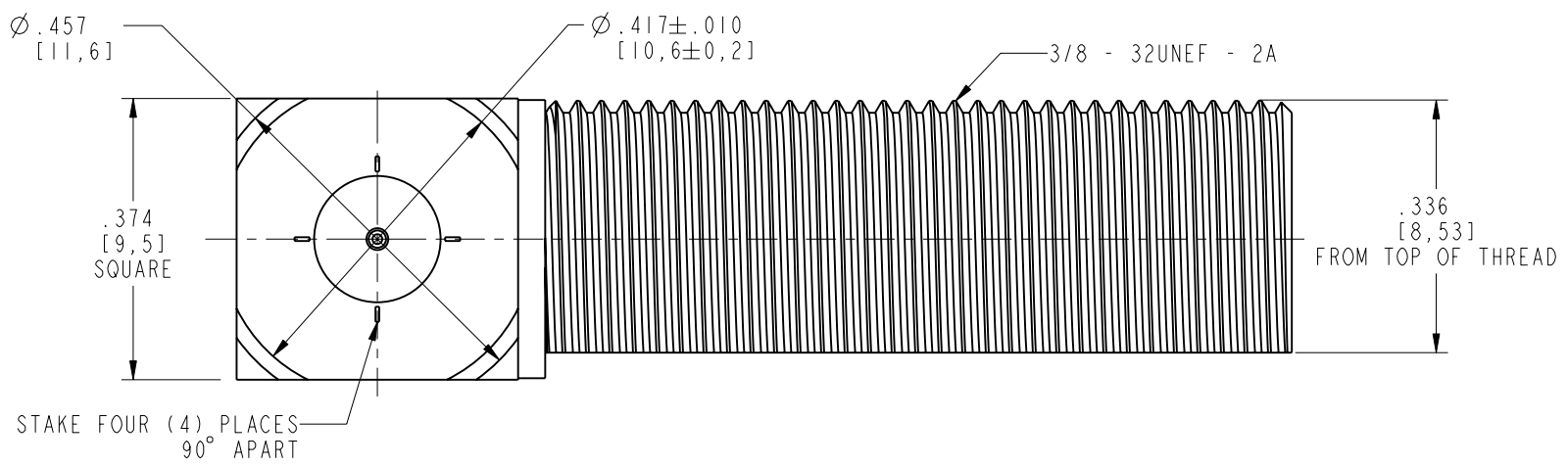


SCALE 4.000

RECOMMENDED PANEL MOUNTING DIMENSIONS



SCALE 4.000



UNLESS OTHERWISE SPECIFIED, DIMENSIONS ARE IN INCHES AND TOLERANCES ARE:
 2 PLACE DECIMAL ±.015 (0,381 mm)
 3 PLACE DECIMAL ±.005 (0,127 mm)
 ANGLES ± 1°

NOTICE - These drawings, specifications, or other data (1) are, and remain the property of Amphenol Corp. (2) must be returned upon request; and (3) are confidential and not to be disclosed to any person other than those to whom they are given by Amphenol Corp. The furnishing of these drawings, specifications, or other data by Amphenol Corp., or to any other person to anyone for any purpose is not to be regarded by implication or otherwise in any manner licensing, granting rights or permitting such holder or any other person to manufacture, use or sell any product, process or design, patented or otherwise, that may in any way be related to or disclosed by said drawings, specifications, or other data.

MATERIAL	DRAWN	DATE	TITLE
	K. CAPOZZI	8/9/02	R/A EXTENDED F TO PCB
REFERENCE	ENGINEER	DATE	
EAR #665	K. CAPOZZI	8/9/02	
GEN #616X-1098-100	APPROVED	DATE	
616X-1099-100	O. BARTHELMES	8/13/03	
	CAD FILE	CODE ID	DWG SIZE
	1:VF& G\531-40156	74868	B

DRAWING NO.	REV	DESCRIPTION	DATE	ECO	APPR
531-40156	A	RELEASE TO MFG.	8/13/03		

DRAWING NO. 531-40156		REV E	SHEET 1 OF 1	
SCALE: 4.0:1		Amphenol RF Danbury, CT, USA Tainan, Taiwan Shenzhen, China www.amphenolrf.com		

X-ON Electronics

Largest Supplier of Electrical and Electronic Components

Click to view similar products for [RF Connectors / Coaxial Connectors](#) category:

Click to view products by [Amphenol](#) manufacturer:

Other Similar products are found below :

[8915-1511-000](#) [89674-0827](#) [6001-7071-019](#) [6002-7051-003](#) [6002-7551-202](#) [6059674-1](#) [619550-1](#) [630059-000](#) [M39030/3-01N](#) [M3933/25-36N](#) [6500-7071-046](#) [6769](#) [CX050L2AQ](#) [7002-1542-011](#) [7004-1512-000](#) [7009-1511-004](#) [7010-1511-000](#) [7029-1511-060](#) [7101-1541-010](#) [7101-1571-002](#) [7105-1521-002](#) [7145-1521-002](#) [7203-1571-003](#) [7209-1511-011](#) [7210-1511-015](#) [7210-1511-019](#) [73137-5015](#) [73216-2241](#) [7325-1512-000](#) [73404-2300](#) [7405-1521-005](#) [7405-1521-802](#) [7406-1521-005](#) [8527](#) [8547](#) [FS11V](#) [8808-1511-001](#) [9049-9513-000](#) [9074-9513-000](#) [9101-9573-002](#) [910A205F](#) [9130-9573-002](#) [PL11SC-026](#) [PL375-33](#) [PL40-5](#) [PL71-9](#) [PL74C-221](#) [PL75MC-217](#) [PL803-7](#) [980-8666-005](#)