

RoHS COMPATIBLE PRODUCT NUMBER

54121-XXXXXXXXLF

LEADED PRODUCT NUMBER

54121-XXX-XX-XXXX

AS AVAILABLE

PLATING

- 1 = 0.76µm GOLD/GXT ON CONTACT AREA  
2µm MIN MATTE TIN ON TAIL  
OVER 1.27µm Ni MIN
- 4 = 2µm MIN MATTE TIN  
OVER 1.27µm Ni MIN
- 5 = 0.25µm GOLD/GXT ON CONTACT AREA  
2µm MIN MATTE TIN ON TAIL  
OVER 1.27µm Ni MIN
- 8 = 0.38µm GOLD/GXT ON CONTACT AREA  
2µm MIN MATTE TIN ON TAIL  
OVER 1.27µm Ni MIN

RoHS COMPATIBLE  
SEE NOTE 8

STACK HEIGHT, NOTE 6

TOTAL NB OF POSITIONS  
02 TO 36

OAL	PIN STYLE
12.2	01
13.5	02
15.9	03
16.56	15
16.76	04
17.65	05
18.91	06
20.50	28
20.96	07
22.40	19
23.5	08
26.04	09
26.42	14
28.00	18
28.58	10
30.48	20
32.15	21
33.66	12
34.00	13
36.20	16
37.30	22
38.40	23
42.30	24
46.00	29
43.00	25
47.00	26
52.00	27

NOTES:

1. HOUSING MAT'L : HIGH TEMPERATURE THERMOPLASTIC. UL94V-0 COLOR: BLACK
2. PIN MATERIAL : PHOSPHOR BRONZE
3. STANDARD PACKAGING IN POLYBAG
4. 9N MIN RETENTION IN EITHER DIRECTION
5. TO DETERMINE DIMENSIONS :  
N = NUMBER OF POSITIONS PER ROW  
EXAMPLE : 8 POS PER ROW, N x 2.54 = 20.32mm
6. XXXX = MILLIMETERS  
SPECIFY MILLIMETERS  
5.0mm MIN TO 60.0mm MAX AVAILABLE  
OAL 65.0mm MAX  
EXAMPLE FOR STACK HEIGHT:  $\underline{1} \underline{2} \underline{7} \underline{0}$  = 12.70mm
7. MATING LENGTH = (OAL)-(3.05)-(STACK HEIGHT)
8. RoHS COMPATIBLE PRODUCT SPECIFICATIONS

a - PLATING:

- "LF" MEANS THE PRODUCT IS LEAD-FREE, 2µm MINIMUM MATTE TIN OVER 1.27µm MINIMUM NICKEL UNDERPLATE.

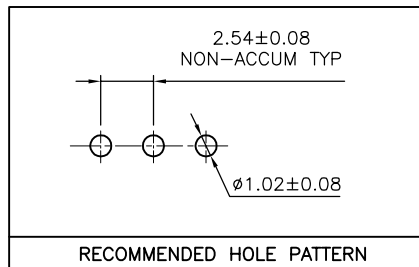
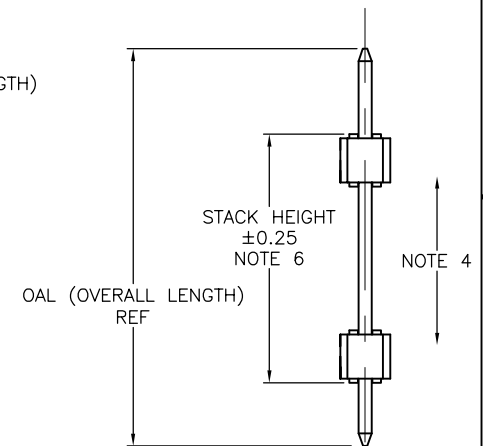
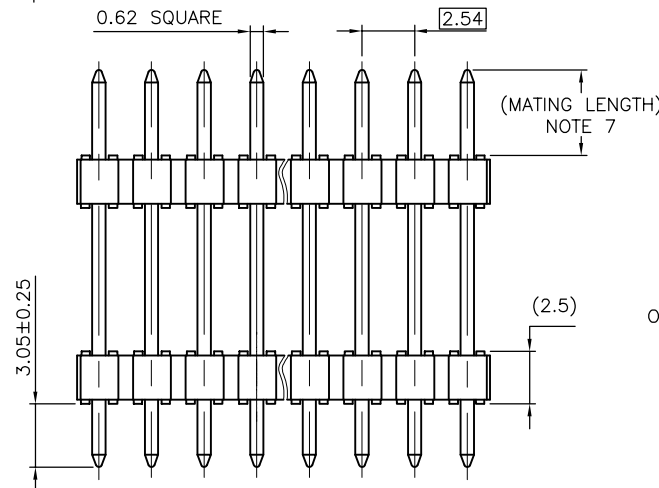
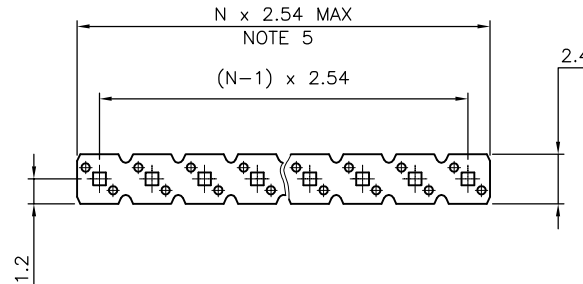
b - MANUFACTURING PROCESS COMPATIBILITY

- THE HOUSING WILL WITHSTAND EXPOSURE TO 260°C ±5°C SOLDER BATH TEMPERATURE FOR 5 SECONDS IN A WAVE SOLDER APPLICATION WITH A 1.6mm MIN THICK CIRCUIT BOARD.

c - LABELLING:

- MEETS PACKAGING SPECS AS PER GS-14-920

- d - THIS PRODUCT MEETS EUROPEAN UNION DIRECTIVES AND OTHER COUNTRY REGULATIONS AS DESCRIBED IN GS-47-0004.



mat'l. code SEE NOTES		surface ISO 1302	tolerance ISO 406 ISO 1101	projection mm	product family BERGSTIK
ltr	ecn no	dr	date	tolerances unless otherwise specified	title
H	B-15666	LMU	13.02.14	angles linear	UNSHR.HEADER STR SR TMT
J	B-18903	LMU	14.09.25	x.xx ±0.3	
K	B-18962	LMU	14.09.29	x.xx ±0.13	dwg no
L	B-19782	AMA	14.12.16	x.xxx ±0.05	
D		dr	D.LE	01.01.24	sheet 1 of 1
E		engr	JM.C	01.01.24	size
F		chr	JM.C	01.01.24	54121
G		appd	JF.N	01.01.24	A3
sheet index	revision sheet				type
					CUSTOMER Drawing

## X-ON Electronics

Largest Supplier of Electrical and Electronic Components

*Click to view similar products for [Headers & Wire Housings](#) category:*

*Click to view products by [Amphenol](#) manufacturer:*

Other Similar products are found below :

[892-18-020-10-001101](#) [58102-G61-06LF](#) [582553-1](#) [0009485154](#) [009176003701906](#) [0050291907](#) [LY20-4P-DT1-P1E-BR](#) [02.125.8002.8](#)  
[609-3404](#) [61062-3](#) [622-0430](#) [622-3653LF](#) [63453-116](#) [636-1030](#) [636-1427](#) [636-3427](#) [636-4007](#) [641938-9](#) [641991-4](#) [644827-2](#) [65817-010LF](#)  
[65817-015LF](#) [65863-015LF](#) [66207-023LF](#) [67095-007LF](#) [67601157](#) [68648-049](#) [70.362.1628.0](#) [70-4210](#) [70-4226B](#) [70-4853B](#) [707-5020](#) [707-](#)  
[5028](#) [71.350.2428.0](#) [71918-208LF](#) [71961-016LF](#) [733-134](#) [733-162](#) [754199-000](#) [760-3052](#) [787-8014-00](#) [79531-3000](#) [FCN-360C032-B](#) [FCN-](#)  
[367T-T012/H](#) [FCN-723D010/2](#) [80.063.4001.1](#) [800-90-001-10-001000](#) [800-90-010-10-002000](#) [801-43-002-10-013000](#) [801-43-006-10-002000](#)