

RoHS COMPATIBLE PRODUCT NUMBER
54122-XXXXXXXXL

STANDARD PRODUCT NUMBER
54122-XXX-XX-XXXX

PLATING

- 1 = 0.76µm GOLD/GXT ON CONTACT AREA
2µm MIN MATTE TIN ON TAIL
OVER 1.27µm Ni MIN
- 8 = 0.38µm GOLD/GXT ON CONTACT AREA
2µm MIN MATTE TIN ON TAIL
OVER 1.27µm Ni MIN
- 4 = 2µm MIN MATTE TIN
OVER 1.27µm Ni MIN

- INDICATES THE PRODUCT IS RoHS COMPATIBLE SEE NOTE 9
- R : RETENTIVE LEG NOTE 8
- STACK HEIGHT NOTE 6
- TOTAL NB OF POSITIONS 04 TO 72

PLATING

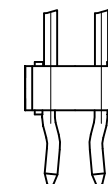
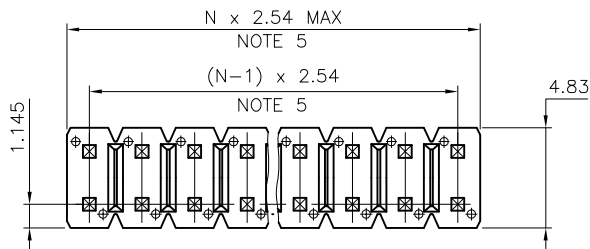
- 1 = 0.76µm GOLD/GXT ON CONTACT AREA
3.81µm TIN/LEAD ON TAIL
OVER 1.27µm Ni MIN
- 8 = 0.38µm GOLD/GXT ON CONTACT AREA
3.81µm TIN/LEAD ON TAIL
OVER 1.27µm Ni MIN
- 4 = TIN LEAD
OVER 1.27µm Ni MIN

- R : RETENTIVE LEG NOTE 8
- STACK HEIGHT NOTE 6
- TOTAL NB OF POSITIONS 04 TO 72

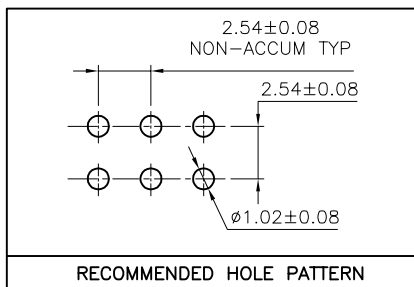
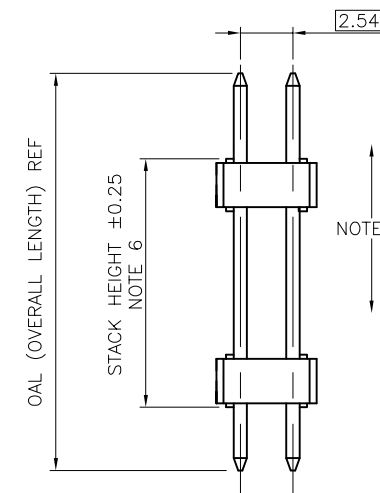
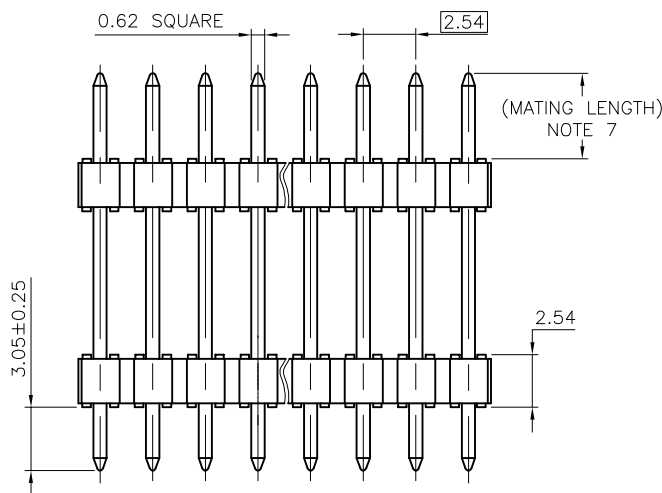
NOTES:

1. HOUSING MAT'L : HIGH TEMPERATURE THERMOPLASTIC. UL94V-0 COLOR: BLACK
2. PIN MATERIAL : PHOSPHOR BRONZE
3. PRODUCT PACKAGED IN PLASTIC BOX
4. 9N MIN RETENTION IN EITHER DIRECTION
5. TO DETERMINE DIMENSIONS :
N = NUMBER OF POSITIONS PER ROW
EXAMPLE : 8 POS PER ROW, N x 2.54 = 20.32mm
6. XXXX = MILLIMETERS
SPECIFY MILLIMETERS
8mm MIN TO 25.0mm MAX AVAILABLE
IN 0.5mm INCREMENT
EXAMPLE FOR STACK HEIGHT: 1 2 5 0 = 12.5mm
7. MATING LENGTH = (OAL)-(3.05)-(STACK HEIGHT)
8. RETENTION IS APPLIED TO TWO ADJACENT PINS AT EACH END OF THE PRODUCT SEE SCHEMA 1
OMIT FROM PRODUCT NUMBER IF THIS FEATURE IS NOT APPLICABLE
9. RoHS COMPATIBLE PRODUCT SPECIFICATIONS
 - a - PLATING:
 - "LF" MEANS THE PRODUCT IS LEAD-FREE, 2µm MINIMUM MATTE TIN OVER 1.27µm MINIMUM NICKEL UNDERPLATE.
 - b - MANUFACTURING PROCESS COMPATIBILITY
 - THE HOUSING WILL WITHSTAND EXPOSURE TO 260°C ±5°C SOLDER BATH TEMPERATURE FOR 5 SECONDS IN A WAVE SOLDER APPLICATION WITH A 1.6mm MIN THICK CIRCUIT BOARD.
 - c - LABELLING:
 - MEETS PACKAGING SPECS AS PER GS-14-920
 - d - THIS PRODUCT MEETS EUROPEAN UNION DIRECTIVES AND OTHER COUNTRY REGULATIONS AS DESCRIBED IN GS-22-008

| PIN STYLE | OAL |
|-----------|-------|
| 01 | 12.2 |
| 02 | 13.5 |
| 03 | 15.9 |
| 04 | 16.76 |
| 05 | 17.65 |
| 06 | 18.91 |
| 07 | 20.96 |
| 08 | 23.5 |
| 09 | 26.04 |
| 10 | 28.58 |
| 11 | 31.12 |
| 12 | 33.66 |
| 13 | 34 |
| 14 | 26.42 |
| 15 | 16.56 |
| 16 | 36.2 |
| 18 | 28 |
| 19 | 22.4 |
| 20 | 30.48 |



SCHEMA 1
TWO RETENTION PIN AT EACH END OF THE PRODUCT



| | | | | | | | | | |
|--------------------------|--|-----------------------|--|-------------------------------|--|------------------|--|----------------------------|--|
| mat'l. code SEE NOTES | | surface ISO 1302 ✓ | | tolerance ISO 406 ISO 1101 | | projection mm | | product family BERGSTIK | |
| ltr | | ecn no | | dr | | date | | title | |
| H F08-0148 | | RTR | | 08.03.31 | | angles | | UNSHR.HEADER | |
| J F10-0252 | | JCO | | 10.11.30 | | linear | | STR DR TMT | |
| K F11-0034 | | LMU | | 11.03.03 | | xxx ±0.05 | | scale 4:1 | |
| E F03-0227 | | DLE | | 03.06.13 | | dr D.LE | | dwg no | |
| F F04-0385 | | LMU | | 04.12.16 | | enrg JM.C | | sheet 1 of 1 | |
| G F06-0196 | | LMU | | 06.06.13 | | chr JM.C | | size | |
| | | | | | | appd JF.N | | 54122 | |
| sheet index | | revision sheet | | | | | | type CUSTOMER Drawing | |

X-ON Electronics

Largest Supplier of Electrical and Electronic Components

Click to view similar products for [Headers & Wire Housings](#) category:

Click to view products by [Amphenol](#) manufacturer:

Other Similar products are found below :

[892-18-020-10-001101](#) [58102-G61-06LF](#) [582553-1](#) [0009485154](#) [009176003701906](#) [0050291907](#) [LY20-4P-DT1-P1E-BR](#) [02.125.8002.8](#)
[609-3404](#) [61062-3](#) [622-0430](#) [622-3653LF](#) [63453-116](#) [636-1030](#) [636-1427](#) [636-3427](#) [636-4007](#) [641938-9](#) [641991-4](#) [644827-2](#) [65817-010LF](#)
[65817-015LF](#) [65863-015LF](#) [66207-023LF](#) [67095-007LF](#) [67601157](#) [68648-049](#) [70.362.1628.0](#) [70-4210](#) [70-4226B](#) [70-4853B](#) [707-5020](#) [707-5028](#) [71.350.2428.0](#) [71918-208LF](#) [71961-016LF](#) [733-134](#) [733-162](#) [754199-000](#) [760-3052](#) [787-8014-00](#) [79531-3000](#) [FCN-360C032-B](#) [FCN-367T-T012/H](#) [FCN-723D010/2](#) [80.063.4001.1](#) [800-90-001-10-001000](#) [800-90-010-10-002000](#) [801-43-002-10-013000](#) [801-43-006-10-002000](#)