

PRODUCT NUMBER 54201 - X XX - XX - XXX

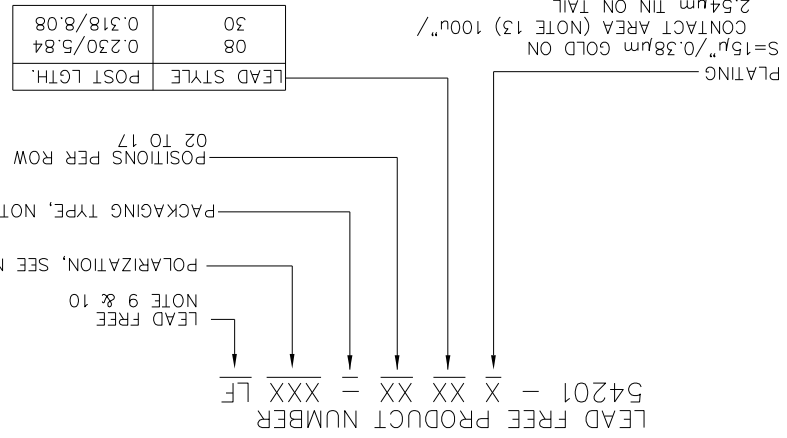
PLATING S=15µ"/0.38µm GOLD ON CONTACT AREA (NOTE 13) 100µ"/2.54µm TIN ON TAIL CONTACT AREA & ON TAIL

G=30µ"/0.76µm GOLD ON CONTACT AREA (NOTE 13) 100µ"/2.54µm TIN ON TAIL

T=100µ"/2.54µm TIN ON CONTACT AREA & ON TAIL (SEE NOTE 8 & 12) F=2µ"/0.05µm GOLD ON CONTACT AREA & ON TAIL

LEAD STYLE	08
POST LGTH.	0.230/5.84
0.318/8.08	30

LEAD FREE POLARIZATION, SEE NOTE 6 PACKAGING TYPE, NOTE 5 POSITIONS PER ROW 02 TO 17



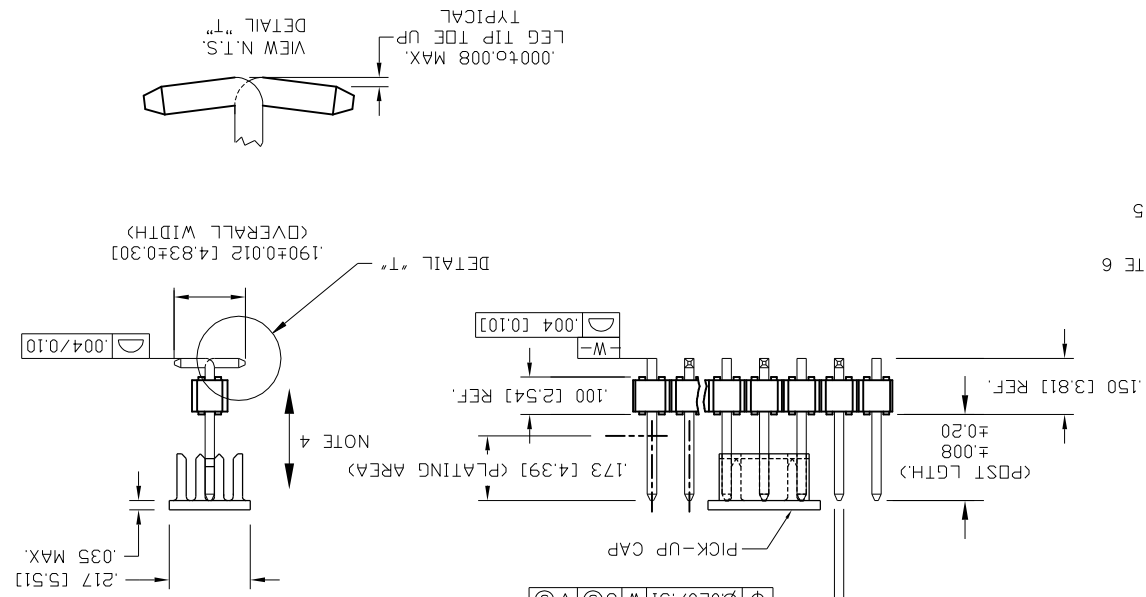
LEAD FREE PRODUCT NUMBER 54201 - X XX XX - XXX LF

PLATING S=15µ"/0.38µm GOLD ON CONTACT AREA (NOTE 13) 100µ"/2.54µm TIN ON TAIL CONTACT AREA & ON TAIL

G=30µ"/0.76µm GOLD ON CONTACT AREA (NOTE 13) 100µ"/2.54µm TIN ON TAIL

T=100µ"/2.54µm TIN ON CONTACT AREA & ON TAIL (SEE NOTE 8 & 12) F=2µ"/0.05µm GOLD ON CONTACT AREA & ON TAIL

LEAD STYLE	08
POST LGTH.	0.230/5.84
0.318/8.08	30



VIEW N.T.S. DETAIL "T"

LEG TIP TOE UP .000 to .008 MAX. TYPICAL

DETAIL "T"

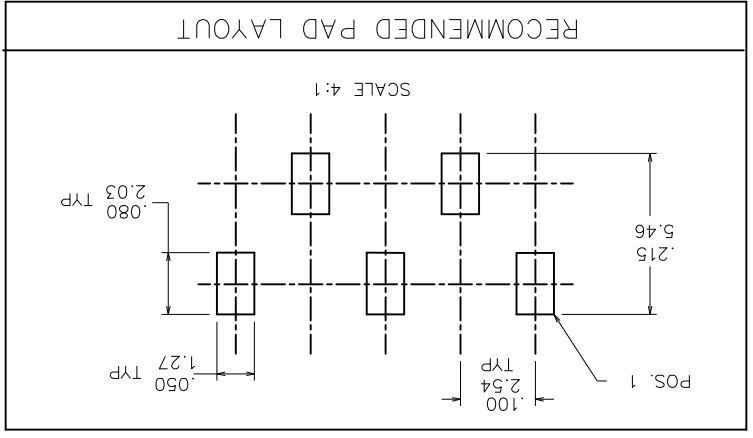
DETAIL "T"

DETAIL "T"

mat'l. code	surface	tolerance	projection	product family	BERGSTIK
trn no	dr	date	tolerance unless otherwise specified	title	.100 UNSHROUDED HDR. S/R VERT. SURF. MNT.
DCS 2013-03-19	MT9/30/08	linear	xxxx.005/xxxx013	INCH/MM	scale 1:1
ELX-N-26942 MZ 2017-05-09	0±.2°	xxxx.020/xxxx005	xxxx.01/xx±0.3		
dr	D.INGRAM	05/11/99		dwg no	54201
enr	H.SUNDRY	07/21/99		type	Product Customer Drawing
chr	H.SUNDRY	07/21/99		sheet	1 of 3 size A3
appd	H.SUNDRY	07/21/99		index	sheet

TAPE AND REEL PACKAGING

SIZE	LEAD STYLE 08	POST (0.250 [5.84])
1X2	YES	NONE
1X3		
1X4		
1X5		
1X6		
1X7		
1X8		
1X9		
1X10		
1X11		
1X12		
1X13		
1X14		
1X15		
1X16	↑	
1X17	YES	
1X18	NONE	
1X19	NONE	
1X20	NONE	



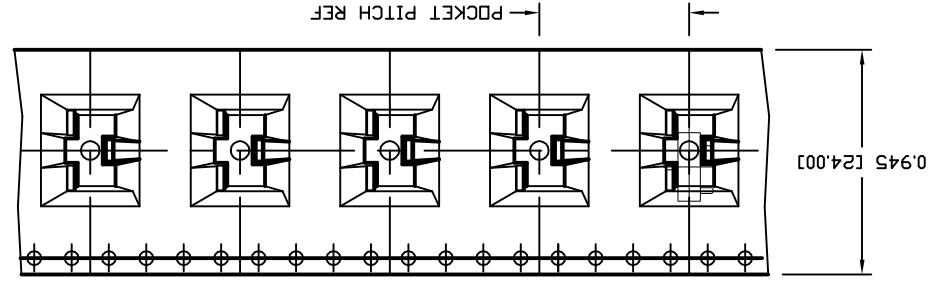
mat'l. code	surface	tolerance	projection	product family	BERGSTIK
tr	ecn no	dr	date	tolerances unless otherwise specified	xx±.01/x±0.3
angles	linear	xxxx.005/xxxx±0.13	INCH/MM	title	.100 UNSHROUDED HDR. S/R VERT. SURF. MNT.
dr	D'INGRAM	05/11/99	scale 1:1	product family	BERGSTIK
enr	H.SUNDRY	07/21/99	dwg no	54201	sheet 2 of 3 size A3
chr	H.SUNDRY	07/21/99	type	Product Customer Drawing	
ppd	H.SUNDRY	07/21/99	index	revision	sheet

NOTES:

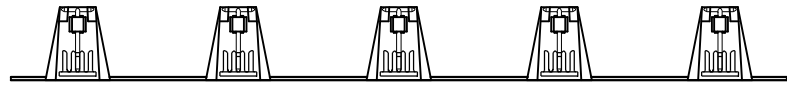
- ① HOUSING MAT'L: HIGH TEMPERATURE THERMOPLASTIC. UL94V-0 COLOR: BLACK OR MINERAL FILLED LCP FLAME RETARDENT PER UL-94V-0. COLOR: BLACK.
- ② PIN MATERIAL: PHOSPHOR-BRONZE
- ③ TO DETERMINE DIMENSIONS:
N = NUMBER OF POSITIONS PER ROW.
EXAMPLE: 10 POS., N x .100/2.54=1.00/25.4
- ④ 2LBS/0.9KG MIN. PIN RETENTION IN EITHER DIRECTION.
- ⑤ PACKAGING: - = POLY BAGS
- P = TUBES WITH PICKUP CAPS.
A = TAPE AND REEL WITH PICKUP CAPS.
S = TAPE AND REEL WITH PICKUP CAPS (24MM WIDTH CARRIE TAPE).
- ⑥ FOR POLARIZATION, SPECIFY POSITION NUMBER(i.e.,A03=ROW A POS. 3) TO OMIT PIN. IF THIS FEATURE IS NOT APPLICABLE, OMIT FROM PROD. NO.. PRODUCT MANAGEMENT APPROVAL IS REQUIRED PRIOR TO THE RELEASE OR SALE OF POLARIZED PRODUCTS.
7. UNDERPLATING: 50µ"/1.27µm Ni.
8. PIN TIPS ON Sn PLATED PRODUCT MAY HAVE BARE METAL ON TOW SIDES. BOTH ENDS.
- ⑨ PART NUMBERS WITH "LF" AT THE END ARE LEAD FREE.
- ⑩ THIS PRODUCT MEETS EUROPEAN UNION DIRECTIVES AND OTHER COUNTRY REGULATION AS DESCRIBED IN GS-22-008.
11. THE HOUSING WILL WITHSTAND EXPOSURE TO 260°C PEAK TEMPERATURE FOR 20 SECONDS IN A CONNECTION, INFRARED OR VAPOR PHASE REFLOW OVEN. SEE APPLICATION NOTES/PROCEDURES IF THEY ARE AVAILABLE.
- ⑫ "THIS PRODUCT HAS 100% PURE TIN PLATING IN THE INTERFACE AND HAS NOT BEEN TESTED FOR WHISKER GROWTH IN ALL INTERCONNECT ENVIRONMENTS."
- ⑬ PLATING OPTIONS:
MAY BE EITHER GOLD OR EXT PLATED AT MANUFACTURER'S OPTION.

S4201-*****SLF
SPECIAL REQUEST OF CARRIER TAPE

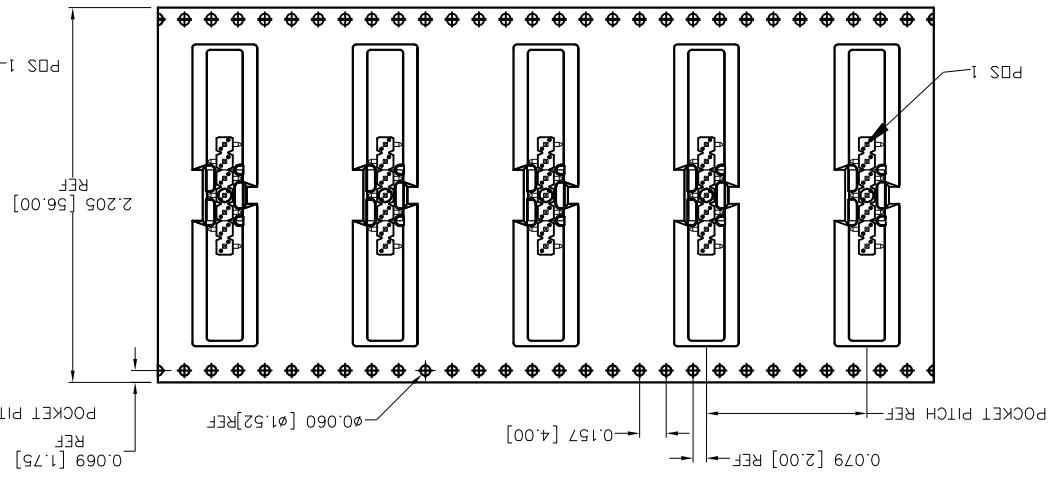
UN-REELING DIRECTION OF FEED



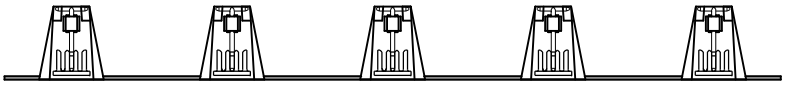
UN-REELING DIRECTION OF FEED



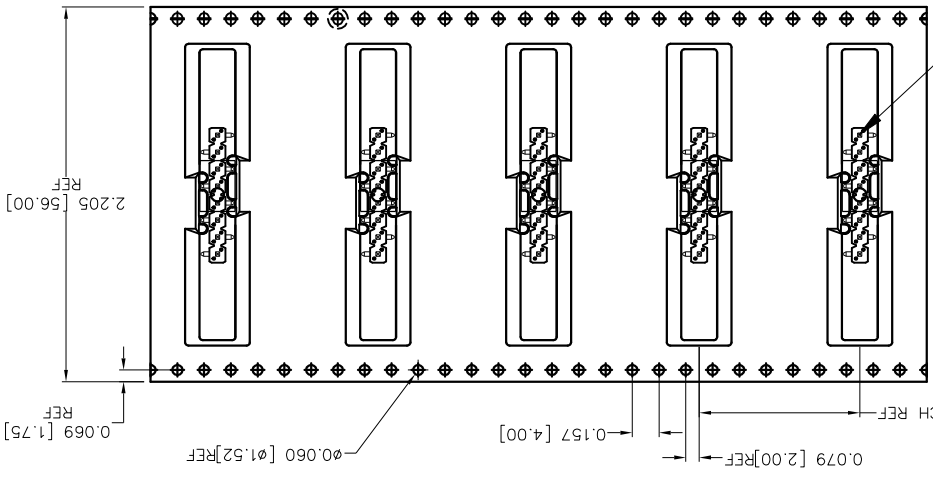
CARRIER FOR ODD NUMBERS OF ROWS



UN-REELING DIRECTION OF FEED



CARRIER FOR EVEN NUMBERS OF ROWS



mat'l. code	surface	tolerance	projection	product family	BERGSTIK
trn no	dr	date	tolerances unless otherwise specified	title	.100 UNSHROUDED HDR. S/R VERT. SURF. MNT.
angles	linear	xx+.01/x+.03	xx+.005/xx+.013	INCH/MM	
0±.2°	0±.2°	xxxx+.020/xxxx+.05	xxxx+.020/xxxx+.05	scale 1:1	
dr	D.INGRAM	05/11/99		dwg no	54201
enr	H.SUNDRY	07/21/99		type	Product Customer Drawing
chr	H.SUNDRY	07/21/99		sheet	3 of 3 size
appd	H.SUNDRY	07/21/99		index	sheet

X-ON Electronics

Largest Supplier of Electrical and Electronic Components

Click to view similar products for [Headers & Wire Housings](#) category:

Click to view products by [Amphenol](#) manufacturer:

Other Similar products are found below :

[95000-104TRLF](#) [10135584-644402LF](#) [DF62W-EP2022PCA](#) [95000-106TRLF](#) [DF62W-2022SCA](#) [DF62W-EP2022PC](#) [2203348](#) [DF62W-2022SC](#) [1084018](#) [1029039](#) [1084017](#) [802-10-012-10-002000](#) [1112640](#) [1112639](#) [000-34000](#) [0009482033](#) [0009507031](#) [57102-S06-03LF](#) [57202-S52-04LF](#) [PCN6-15S-2.5E](#) [0039019024](#) [58102-G61-06LF](#) [582553-1](#) [0009485154](#) [0009508121](#) [0022285053](#) [0050291907](#) [018731A](#) [LY20-4P-DT1-P1E-BR](#) [02.125.8002.8](#) [60101931](#) [60598-1 \(Cut Strip\)](#) [M1625-3R/100](#) [61062-3](#) [61082-181009](#) [636-1427](#) [638009-1](#) [641938-9](#) [641991-4](#) [644168-1](#) [647662-1](#) [65039-019ELF](#) [65817-002LF](#) [65817-015LF](#) [65863-015LF](#) [66207-023LF](#) [67016-026LF](#) [67046-001LF](#) [67095-007LF](#) [67230-005LF](#)