



- ① THIS PRODUCT HAS 100% PURE TIN PLATING IN THE INTERFACE AND HAS NOT BEEN TESTED FOR WHISKER GROWTH IN ALL INTERCONNECT ENVIRONMENTS.
- ② THIS PRODUCT MEETS EUROPEAN UNION DIRECTIVES AND OTHER COUNTRY REGULATION AS DESCRIBED IN GS-22-008.
- ③ PART NUMBERS WITH "LF" SUFFIX AT THE END ARE LEAD FREE. BOTH ENDS.
- ④ PIN TIPS ON Sn PLATED PRODUCT MAY HAVE BARE METAL ON TWO SIDES.
- ⑤ UNDERPLATING: 50µ"/1.2µm Ni.
- ⑥ FOR POLARIZATION, SPECIFY POSITION NUMBER (i.e. A03=ROW A POS. 3) TO OMIT PIN.
- ⑦ OMIT FROM PRODUCT NUMBER IF THIS FEATURE IS NOT APPLICABLE. OR SALE OF POLARIZED PRODUCTS.
- ⑧ 2BBS/0.9KG MIN. PIN RETENTION IN EITHER DIRECTION. PACKAGING: - = POLY BAGS WITHOUT PICKUP CAP. T = TUBES (OMIT DASH IF NOT POLARIZED). P = TUBES WITH PICKUP CAPS. A = TAPE AND REEL WITH PICKUP CAPS. C = CUSTOMIZED TAPE AND REEL WITH PICKUP CAPS.
- ⑨ TO DETERMINE DIMENSIONS: EXAMPLE: 10 POS., N x .100/2.54=1.00/25.4 N = NUMBER OF POSITIONS ROW.
- ⑩ PIN MATERIAL: PHOSPHOR-BRONZE
- ⑪ WAVE SOLDER, INFRA-RED OR VAPOR PHASE SOLDER PROCESS. THESE PART NUMBERS WILL WITHSTAND EXPOSURE TO 260 C PEAK TEMPERATURE FOR 20 SECONDS IN WAVE SOLDER, INFRA-RED OR VAPOR PHASE SOLDER PROCESS.
- ⑫ PER UL-94V-0. COLOR: BLACK. OR MINERAL FILLED LCP FLAME RETARDANT COLOR: BLACK. FLAME RETARDANT PER UL 94V-0 HOUSING MATL: HIGH TEMPERATURE THERMOPLASTIC.

NOTES:

① HOUSING MATL: HIGH TEMPERATURE THERMOPLASTIC. FLAME RETARDANT PER UL 94V-0 COLOR: BLACK OR MINERAL FILLED LCP FLAME RETARDANT PER UL-94V-0. COLOR: BLACK.

THESE PART NUMBERS WILL WITHSTAND EXPOSURE TO 260 C PEAK TEMPERATURE FOR 20 SECONDS IN WAVE SOLDER, INFRA-RED OR VAPOR PHASE SOLDER PROCESS.

② PIN MATERIAL: PHOSPHOR-BRONZE

③ TO DETERMINE DIMENSIONS: EXAMPLE: 10 POS., N x .100/2.54=1.00/25.4 N = NUMBER OF POSITIONS ROW.

④ 2BBS/0.9KG MIN. PIN RETENTION IN EITHER DIRECTION. PACKAGING: - = POLY BAGS WITHOUT PICKUP CAP. T = TUBES (OMIT DASH IF NOT POLARIZED). P = TUBES WITH PICKUP CAPS. A = TAPE AND REEL WITH PICKUP CAPS. C = CUSTOMIZED TAPE AND REEL WITH PICKUP CAPS.

⑤ FOR POLARIZATION, SPECIFY POSITION NUMBER (i.e. A03=ROW A POS. 3) TO OMIT PIN.

⑥ OMIT FROM PRODUCT NUMBER IF THIS FEATURE IS NOT APPLICABLE. OR SALE OF POLARIZED PRODUCTS.

⑦ UNDERPLATING: 50µ"/1.2µm Ni.

⑧ PIN TIPS ON Sn PLATED PRODUCT MAY HAVE BARE METAL ON TWO SIDES.

⑨ PART NUMBERS WITH "LF" SUFFIX AT THE END ARE LEAD FREE. BOTH ENDS.

⑩ THIS PRODUCT MEETS EUROPEAN UNION DIRECTIVES AND OTHER COUNTRY REGULATION AS DESCRIBED IN GS-22-008.

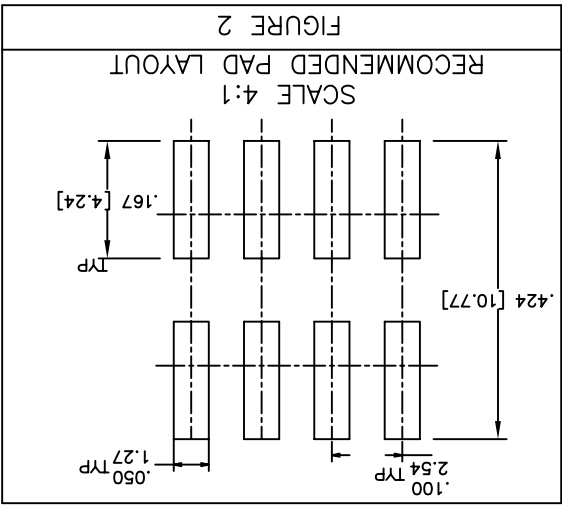
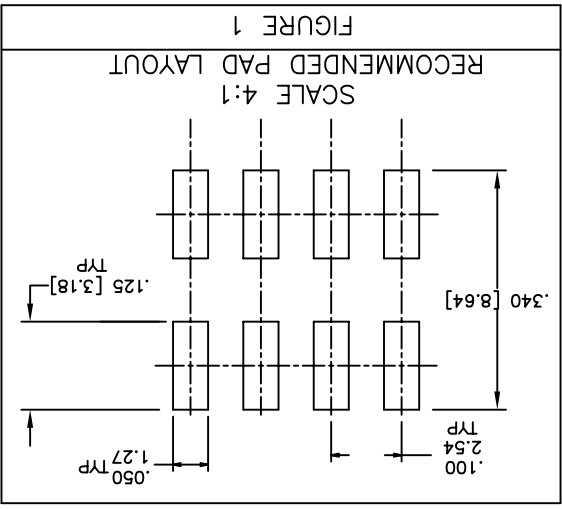
⑪ THIS PRODUCT HAS 100% PURE TIN PLATING IN THE INTERFACE AND HAS NOT BEEN TESTED FOR WHISKER GROWTH IN ALL INTERCONNECT ENVIRONMENTS.

⑫ THE HOUSING WILL WITHSTAND EXPOSURE TO 260C PEAK TEMPERATURE FOR 20 SECONDS IN A CONVECTION, INFRA-RED OR VAPOR PHASE REFLOW OVEN. SEE APPLICATION NOTES/PROCEDURES IF THEY ARE AVAILABLE.

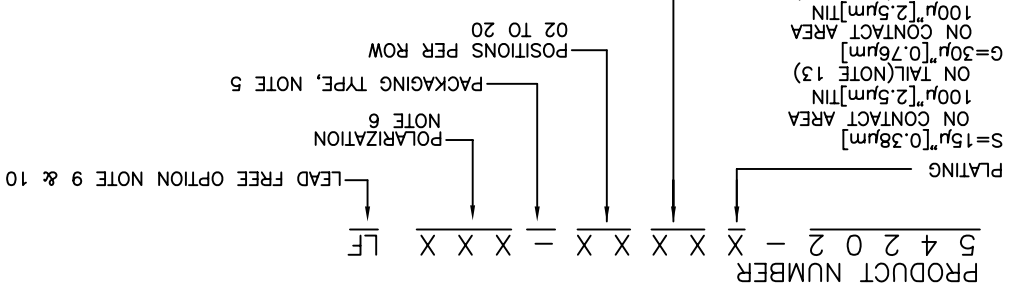
⑬ MAY BE EITHER GOLD OR EXT PLATED AT MANUFACTURER'S OPTION

| | | | |
|-----|-------------|-----|------------|
| rev | ecn no | dr | date |
| W | ELX-N-01222 | U.Z | 2012-07-15 |
| X | ELX-N-14748 | ZK | 2013-05-14 |
| Y | ELX-N-19883 | JH | 2015-01-05 |
| T | M08-0208 | MHT | 7/18/08 |
| U | M08-0279 | MHT | 9/30/08 |
| V | N10-0438 | ZJ | 2010-12-28 |

| | | |
|--------------------|--|----------|
| Dr | D.INGRAM | 05/17/99 |
| Eng | H.SUNDY | 07/21/99 |
| Chr | H.SUNDY | 07/21/99 |
| Appr | H.SUNDY | 07/21/99 |
| Product family | BERGSTIK | |
| Spec ref | ELX-N-14748 | |
| size | ±0.3 | A4 |
| tolerance std | ISO 406 ISO 1101 | |
| tolerance | 6.4 | |
| surface | 6.4 | |
| www.fciconnect.com | | |
| projection | | |
| Scale | 1.000 | |
| ANGULAR | LINEAR | |
| 0.X | ±0.15 | |
| 0.XXX | ±0.05 | |
| ECN | ELX-N-14748 | |
| catlog no | 54202 | |
| title | .100 UNSHROUDED HDR. DUAL ROW VERT. SMT. | |
| customer | CUSTOMER | |
| sheet 1 of 3 | | |



| LEAD STYLE | POST | TAIL OVERALL | PCB LAYOUT |
|------------|-------------|--|------------|
| 60 | 0.575/14.60 | .374 ^{+0.015} / _{-0.017} / 9.50 ^{+0.38} | FIGURE 2 |
| 08 | 0.230/5.84 | .290 ^{+0.015} / _{-0.017} / 7.37 ^{+0.38} | FIGURE 1 |



A B C D

4 3 2 1

D

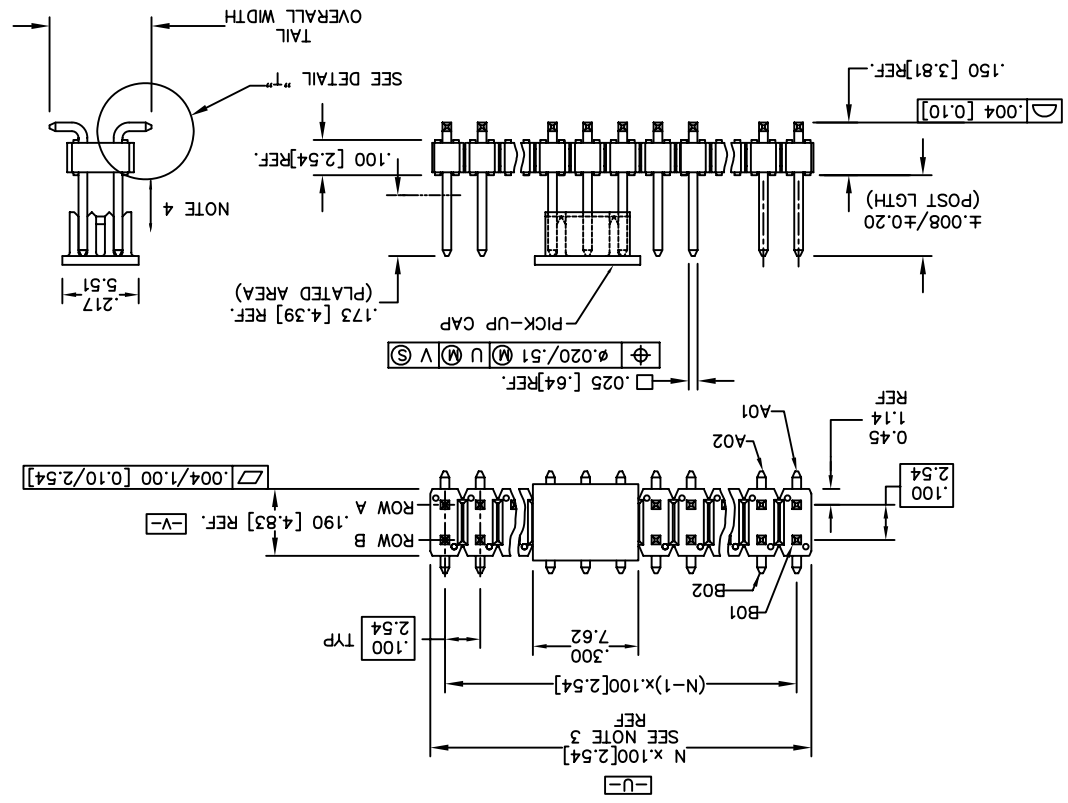
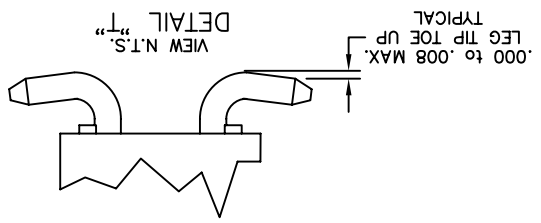
Copyright FCI

C

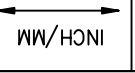


B

A



| | | | | | | | |
|--|----------|------------------|----------------|--------------------------------|----------|------------|-----------------|
| www.fciconnect.com | | surface ISO 1302 | | tolerance std ISO 406 ISO 1101 | | projection | |
| TOLERANCES UNLESS OTHERWISE SPECIFIED | | 0.X | | ±0.3 | | A4 | |
| Dr | D.INGRAM | 05/17/99 | ANGULAR | LINEAR | 0.XX | ±0.15 | Scale 1.000 |
| Chr | H.SUNDY | 07/21/99 | 0 | ±2' | 0.XXX | ±0.05 | ECN ELX-N-14748 |
| Appr | H.SUNDY | 07/21/99 | Product family | | BERGSTIK | | Spec ref |
| title | | catalog no | | dwg no | | Rev. | |
| .100 UNSHROUDED HDR. DUAL ROW VERT. SMT. | | 54202 | | 54202 | | Y | |
| CUSTOMER | | sheet 2 of 3 | | | | | |



D

C

B

A

X-ON Electronics

Largest Supplier of Electrical and Electronic Components

Click to view similar products for [Headers & Wire Housings](#) category:

Click to view products by [Amphenol](#) manufacturer:

Other Similar products are found below :

[95000-104TRLF](#) [10135584-644402LF](#) [DF62W-EP2022PCA](#) [95000-106TRLF](#) [DF62W-2022SCA](#) [DF62W-EP2022PC](#) [2203348](#) [DF62W-2022SC](#) [1084018](#) [1029039](#) [1084017](#) [802-10-012-10-002000](#) [1112640](#) [1112639](#) [000-34000](#) [0009482033](#) [0009507031](#) [57102-S06-03LF](#) [57202-S52-04LF](#) [PCN6-15S-2.5E](#) [0039019024](#) [58102-G61-06LF](#) [582553-1](#) [0009485154](#) [0009508121](#) [0022285053](#) [0050291907](#) [018731A](#) [LY20-4P-DT1-P1E-BR](#) [02.125.8002.8](#) [60101931](#) [60598-1 \(Cut Strip\)](#) [M1625-3R/100](#) [61062-3](#) [61082-181009](#) [636-1427](#) [638009-1](#) [641938-9](#) [641991-4](#) [644168-1](#) [647662-1](#) [65039-019ELF](#) [65781-047](#) [65817-002LF](#) [65817-015LF](#) [65863-015LF](#) [66207-023LF](#) [67016-026LF](#) [67046-001LF](#) [67095-007LF](#)