

PRODUCT NUMBER  
 5 4 2 0 2 - X X X X X - X X X LF

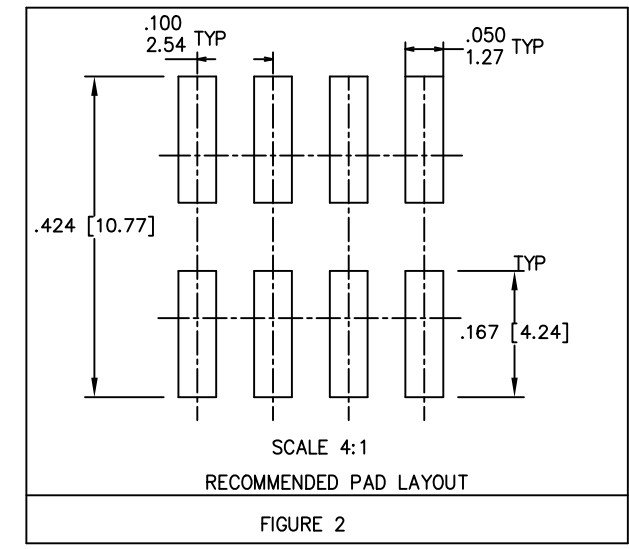
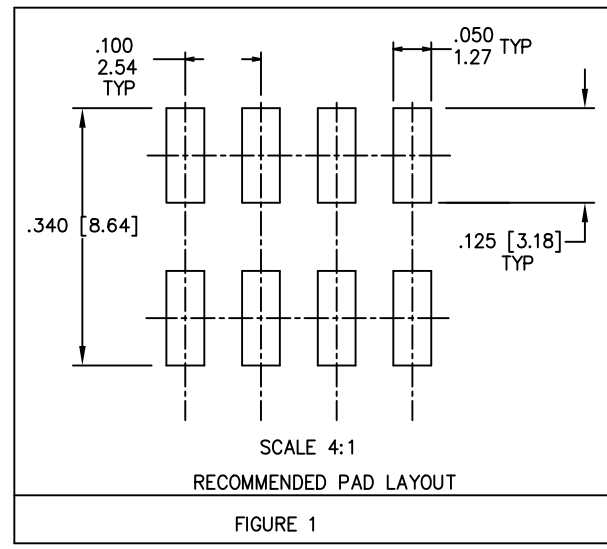
PLATING  
 S=15μ[0.38μm]  
 ON CONTACT AREA  
 100μ[2.5μm]TIN  
 ON TAIL(NOTE 13)  
 G=30μ[0.76μm]  
 ON CONTACT AREA  
 100μ[2.5μm]TIN  
 ON TAIL(NOTE 13)  
 T=100μ[2.5μm]TIN  
 ON CONTACT AREA  
 AND ON TAIL(SEE NOTE 11)  
 F=2μ[0.05μm]GOLD  
 ON CONTACT AREA  
 AND ON TAIL

LEAD STYLE	POST	TAIL OVERALL WIDTH	PCB LAYOUT
06	0.177/4.50	.290 <sup>+0.015</sup> / <sub>-0.017</sub> / 7.37 <sup>+0.38</sup> / <sub>-0.43</sub>	FIGURE 1
08 30	0.230/5.84 0.318/8.08	.290 <sup>+0.015</sup> / <sub>-0.017</sub> / 7.37 <sup>+0.38</sup> / <sub>-0.43</sub>	FIGURE 1
60	0.575/14.60	.374 <sup>+0.015</sup> / <sub>-0.017</sub> / 9.50 <sup>+0.38</sup> / <sub>-0.43</sub>	FIGURE 2

NOTES:

- HOUSING MAT'L: HIGH TEMPERATURE THERMOPLASTIC. FLAME RETARDANT PER UL 94V-0. COLOR: BLACK OR MINERAL FILLED LCP FLAME RETARDANT PER UL-94V-0. COLOR: BLACK.  
 THESE PART NUMBERS WILL WITHSTAND EXPOSURE TO 260 C PEAK TEMPERATURE FOR 20 SECONDS IN WAVE SOLDER, INFRA-RED OR VAPOR PHASE SOLDER PROCESS.
- PIN MATERIAL: PHOSPHOR-BRONZE
- TO DETERMINE DIMENSIONS:  
 N = NUMBER OF POSITIONS ROW.  
 EXAMPLE: 10 POS., N x .100/2.54=1.00/25.4
- 2LBS/0.9KG MIN. PIN RETENTION IN EITHER DIRECTION.
- PACKAGING: NONE =POLY BAGS WITHOUT PICKUP CAP.  
 T =TUBES (OMIT DASH IF NOT POLARIZED).  
 P =TUBES WITH PICKUP CAPS.  
 A =TAPE AND REEL WITH PICKUP CAPS.  
 C =CUSTOMIZED TAPE AND REEL WITH PICKUP CAPS.  
 D =TAPE AND REEL WITHOUT PICKUP CAPS.  
 S =SPECIAL REQUEST OF TAPE AND REEL WITH PICKUP CAPS.  
 M =TAPE AND REEL WITH PICKUP CAPS FOR SPECIAL CUSTOMER.
- FOR POLARIZATION, SPECIFY POSITION NUMBER (i.e. A03=ROW A POS. 3) TO OMIT PIN. OMIT FROM PRODUCT NUMBER IF THIS FEATURE IS NOT APPLICABLE. PRODUCT MANAGEMENT APPROVAL REQUIRED PRIOR TO RELEASE OR SALE OF POLARIZED PRODUCTS.
- UNDERPLATING: 50μ"/1.2μm Ni.
- PIN TIPS ON Sn PLATED PRODUCT MAY HAVE BARE METAL ON TWO SIDES, BOTH ENDS.
- PART NUMBERS WITH "LF" SUFFIX AT THE END ARE LEAD FREE.
- THESE PRODUCTS MEETS EUROPEAN UNION DIRECTIVES AND OTHER COUNTRY REGULATION AS DESCRIBED IN GS-22-008.
- "THIS PRODUCT HAS 100% PURE TIN PLATING IN THE INTERFACE AND HAS NOT BEEN TESTED FOR WHISKER GROWTH IN ALL INTERCONNECT ENVIRONMENTS."
- THE HOUSING WILL WITHSTAND EXPOSURE TO 260°C PEAK TEMPERATURE FOR 20 SECONDS IN A CONVECTION, INFRA-RED OR VAPOR PHASE REFLOW OVEN. SEE APPLICATION NOTES/PROCEDURES IF THEY ARE AVAILABLE.
- MAY BE EITHER GOLD OR GXT PLATED AT MANUFACTURER'S OPTION

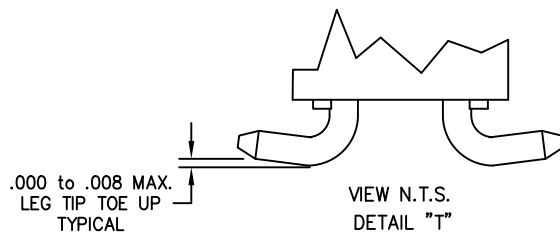
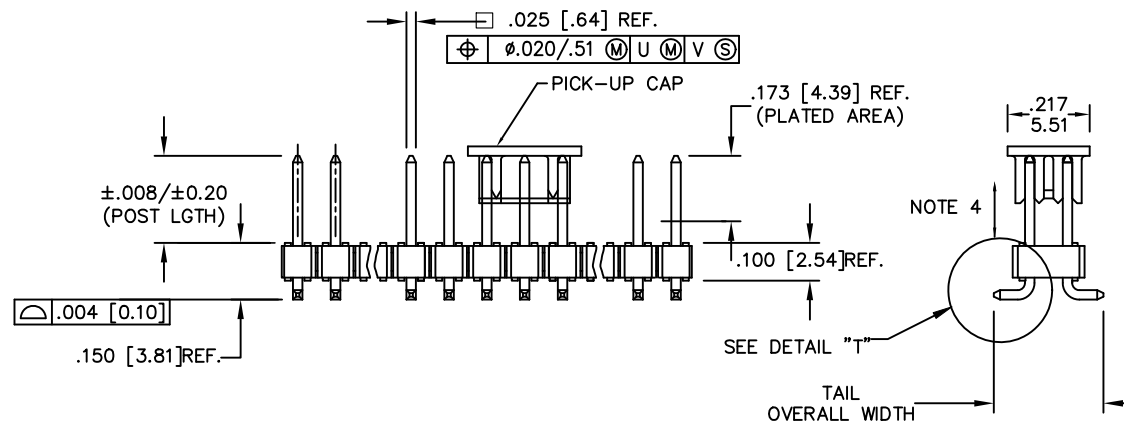
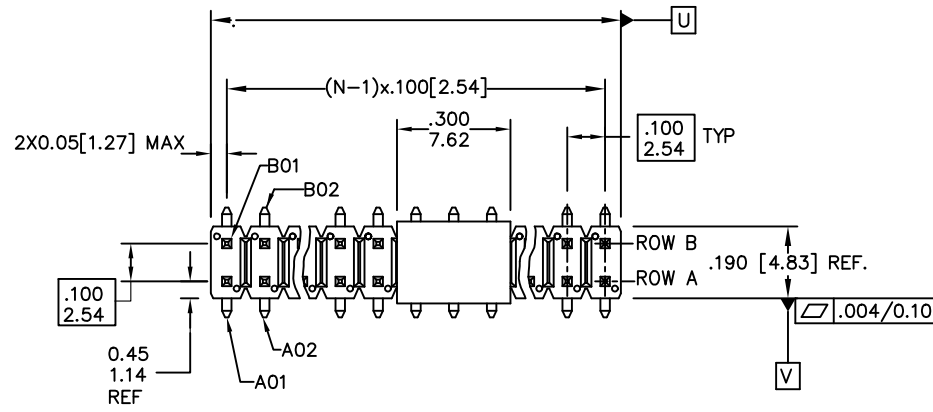
LEAD FREE OPTION NOTE 9 & 10  
 POLARIZATION NOTE 6  
 PACKAGING TYPE, NOTE 5  
 POSITIONS PER ROW 02 TO 20



mat'l. code NOTES 2 & 3		surface ISO 1302 ✓		tolerance ISO 406 ISO 1101		projection 		product family BERGSTIK	
ltr	ecn no	dr	date	tolerances unless otherwise specified		title		.100 UNSHROUDED HDR DUAL ROW VERT. SMT.	
AA	ELX-N-21232	MZ	2015-06-25	angles	.XX±01/.X±0.3	INCH/MM		dwg no	
AB	ELX-N-22858	MZ	2015-12-22	linear	.XXX±005/.XX±0.13	scale 1:1		sheet 1 of 3	
AC	ELX-N-35783	MZ	2020-01-03	0±.2'	.XXXX±0020/.XXX±0.051	Amphenol FCI		size A3	
sheet		revision		dr	D.INGRAM	1999-05-17		type Product Customer Drawing	
index		AC	AC	enr	H.SUNDAY	1999-07-21		54202	
		AC	AC	chr	H.SUNDAY	1999-07-21			
		AC	AC	appd	H.SUNDAY	1999-07-21			
1	2	3	4						

Amphenol  
 FCI  
 © 2016 AFCI  
 D

PRODUCT NUMBER  
SEE SHEET 1



mat'l. code NOTES 2 & 3		surface ISO 1302 ✓	tolerance ISO 406 ISO 1101	projection INCH/MM	product family BERGSTIK
ltr	ecn no	dr	date	tolerances unless otherwise specified	title .100 UNSHROUDED HDR DUAL ROW VERT. SMT.
AC				angles linear .XX±01/.X±0.3 .XXX±005/.XX±0.13 .XXXX±0020/.XXX±0.051	scale 1:1
		dr	D.INGRAM	1999-05-17	dwg no 54202 sheet 2 of 4 size A3
		enr	H.SUNDAY	1999-07-21	
		chr	H.SUNDAY	1999-07-21	
		appd	H.SUNDAY	1999-07-21	
sheet	revision				type Product Customer Drawing
index	sheet				

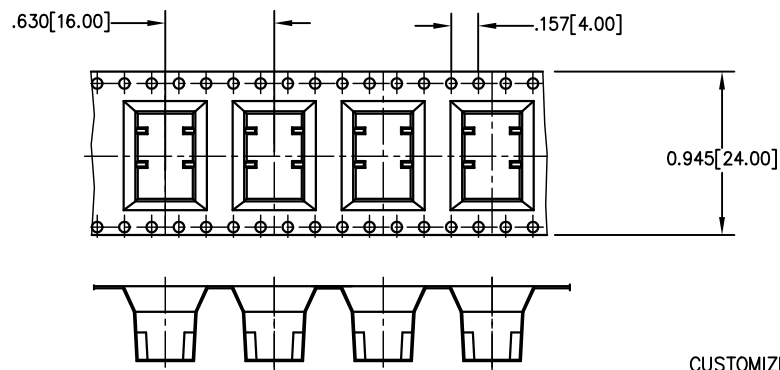
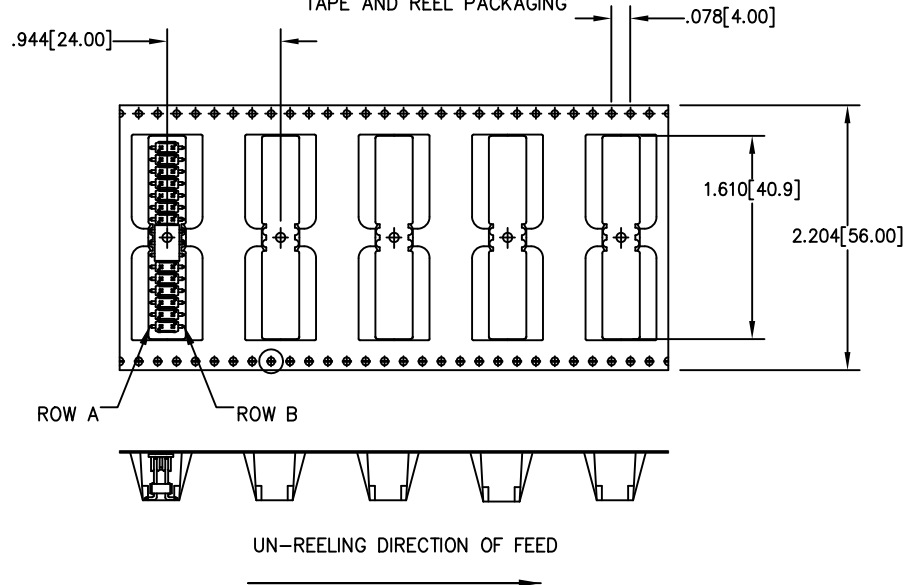
TAPE AND REEL PACKAGING

SIZE	LEAD STYLE 08 POST (0.230 [5.84])	LEAD STYLE 30 POST (0.318 [8.08])
2X2	YES	YES
2X3	YES	
2X4	YES	YES
2X5	YES	
2X6	YES	
2X7	YES	YES
2X8	YES	
2X9	YES	
2X10	YES	
2X11	YES	
2X12	YES	YES
2X13	YES	
2X14	YES	
2X15	YES	
2X16	YES	YES
2X17	YES	
2X18	YES	
2X19	YES	
2X20	YES	

Cross Reference

CORE RANGE	EXTENDED RANGE
54202-X08XXLF	95278-X01-XXLF
54202-X30XXLF	95278-X02-XXLF

TAPE AND REEL PACKAGING

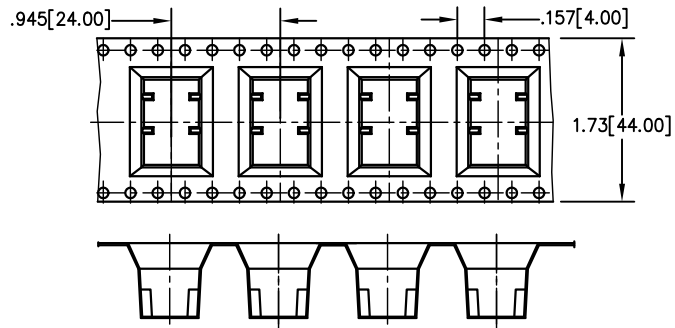


CUSTOMIZED CARRIER TAPE  
FOR 2x2,2x3,2x4,2x5 SIZE.  
(SEE NOTE 5)

Amphenol FCI

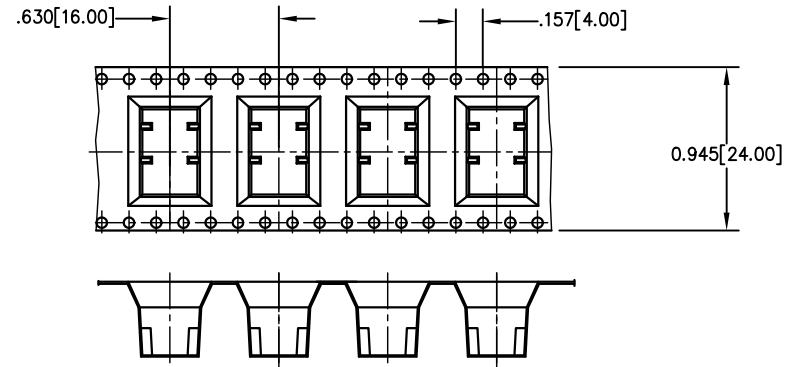
© 2016 AFCI

mat'l. code NOTES 2 & 3		surface ISO 1302 ✓	tolerance ISO 400 ISO 1101	projection 	product family BERGSTIK
ltr	ecn no	dr	date	tolerances unless otherwise specified	title .100 UNSHROUDED HDR DUAL ROW VERT. SMT.
AC				angles linear .XX±01/.X±0.3 .XXX±005/.XX±0.13 .XXXX±0020/.XXX±0.051	dwg no 54202
		dr	D.INGRAM	1999-05-17	sheet 3 of 4
		enr	H.SUNDAY	1999-07-21	size A3
		chr	H.SUNDAY	1999-07-21	type Product Customer Drawing
		appd	H.SUNDAY	1999-07-21	
sheet index	revision sheet				



UN-REELING DIRECTION OF FEED

54202-\*\*\*\*SLF  
SPECIAL REQUEST CARRIER TAPE  
FOR 2x5 SIZE(SEE NOTES 5)



UN-REELING DIRECTION OF FEED

54202-\*\*\*\*MLF  
TAPE AND REEL WITH PICK UP  
CAP FOR SPECIAL CUSTOMER  
FOR 2x5 SIZE(SEE NOTES 5)

mat'l. code NOTES 2 & 3		surface ISO 1302	tolerance ISO 406 ISO 1101	projection 	product family BERGSTIK
ltr	ecn no	dr	date	tolerances unless otherwise specified	title
AC				linear .XX±01/.X±0.3 .XXX±005/.XX±0.13 .XXXX±0020/.XXX±0.051	.100 UNSHROUDED HDR DUAL ROW VERT. SMT.
				angles 0°±2'	INCH/MM
				dr	scale 1:1
				enr	Amphenol FCI
				chr	dwg no
				appd	sheet 4 of 4
					54202
					A3
					type Product Customer Drawing
sheet	revision				
index	sheet				

## X-ON Electronics

Largest Supplier of Electrical and Electronic Components

*Click to view similar products for [Headers & Wire Housings](#) category:*

*Click to view products by [Amphenol](#) manufacturer:*

Other Similar products are found below :

[892-18-020-10-001101](#) [58102-G61-06LF](#) [582553-1](#) [0009485154](#) [009176003701906](#) [0050291907](#) [LY20-4P-DT1-P1E-BR](#) [02.125.8002.8](#)  
[609-3404](#) [61062-3](#) [622-0430](#) [622-3653LF](#) [63453-116](#) [636-1030](#) [636-1427](#) [636-3427](#) [636-4007](#) [641938-9](#) [641991-4](#) [644827-2](#) [65817-010LF](#)  
[65817-015LF](#) [65863-015LF](#) [66207-023LF](#) [67095-007LF](#) [67601157](#) [68648-049](#) [70.362.1628.0](#) [70-4210](#) [70-4226B](#) [70-4853B](#) [707-5020](#) [707-5028](#) [71.350.2428.0](#) [71918-208LF](#) [71961-016LF](#) [733-134](#) [733-162](#) [754199-000](#) [760-3052](#) [787-8014-00](#) [79531-3000](#) [FCN-360C032-B](#) [FCN-367T-T012/H](#) [FCN-723D010/2](#) [80.063.4001.1](#) [800-90-001-10-001000](#) [800-90-010-10-002000](#) [801-43-002-10-013000](#) [801-43-006-10-002000](#)