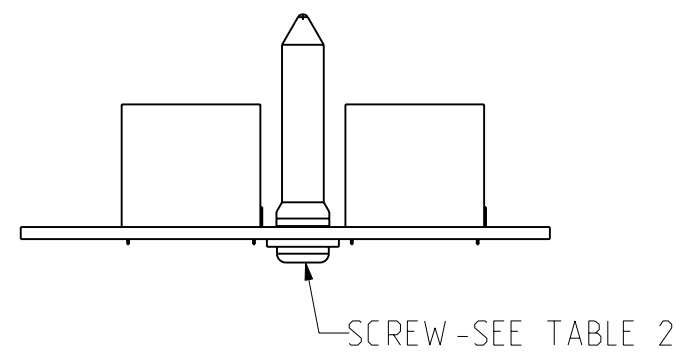
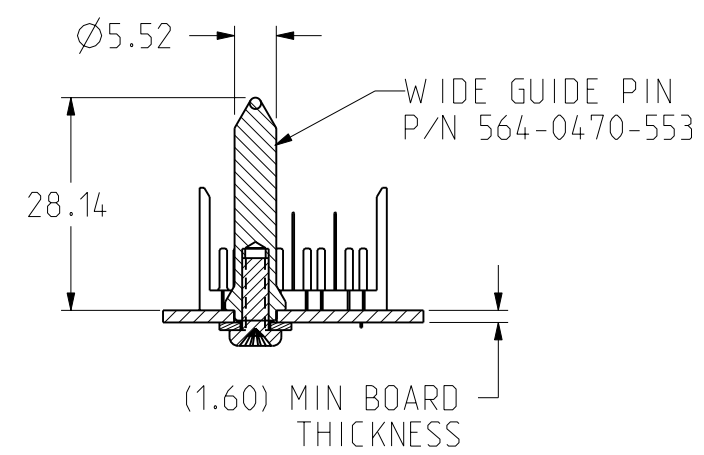
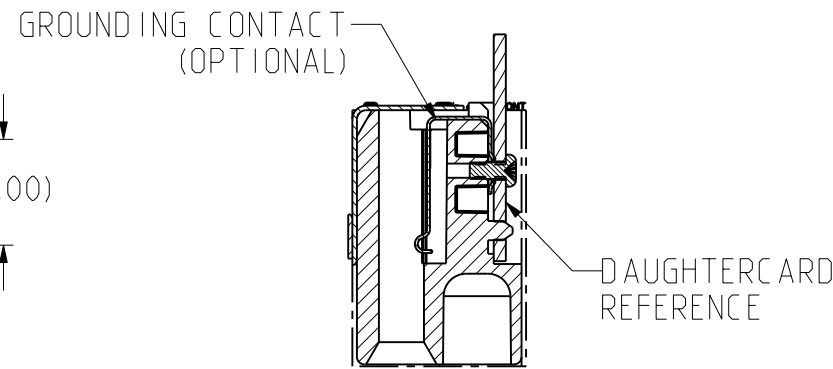
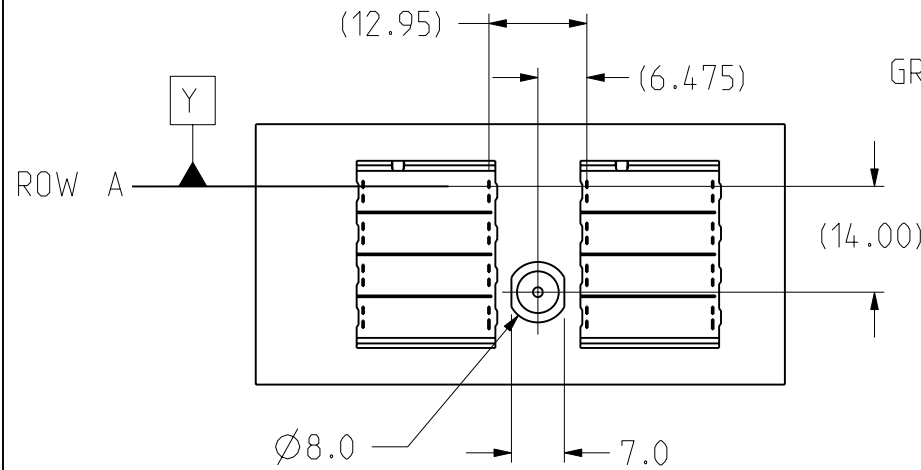


ZONE	REV	SCR NUMBER	DESCRIPTION	BY	DATE	APPROVED
ALL	-	DSMH-6CPKBC.VER01	NEW RELEASE	S.GAGNON	05/26/05	D.SMITH
	A	CSAS-7P8L9Z.VER01	REPLACED DRAWING FORMAT	HCL-RB	03/02/2009	C.SAMMIS



	GROUNDED ②	UNGROUND
FHS	Ø5.58-5.73	Ø5.58-5.73
PAD	Ø 8.5	N/A
PLATED	YES	NO
DRILL (mm)	5.79 mm	5.61 mm
DRILL (in)	0.228"	0.221"

GUIDE PIN P/N	SCREW P/N	SCREW DESCRIPTION	BOARD THICKNESS
564-0470-553	800-6496-000	6-32 X .375 LG PHILLIPS PANHEAD W/SQ. CONICAL WASHER	1.60 - 4.00 mm
564-0470-553	800-4135-100	6-32 X .5 LG PHILLIPS PANHEAD W/SQ. CONICAL WASHER	4.00 - 7.50 mm
564-0470-553	800-4147-100	6-32 X .625 LG PHILLIPS PANHEAD W/SQ. CONICAL WASHER	7.50 - 10.00 mm

TOLERANCES		DESIGN 8/6/97 S.ALLEN
0.0	±0.25	DRAWN 10/31/01 R.VASSAR
0.00	±0.13	CHK 10/31/01 A.ASTBURY
0.000	± -	APVD 05/26/05 D.SMITH
ANGLES	±-	

**Amphenol TCS**  
A Division of Amphenol Corporation  
200 Innovative Way, Nashua, NH 03062 603.879.3000

TITLE: WIDE GUIDE PIN  
WIDE Ø GUIDE PIN

PART NO. 564-0470-553 REV N/A

DRAWING NO. C-564-0470-000 REV A

ProePART P1021-BP-GUIDEPIN-WIDE-ALONE 2.85  
P1021-CU-BP-WIDE-GUIDEPIN .dwg 2.15

SIZE B SCALE 1/1 SHEET 1 OF 3

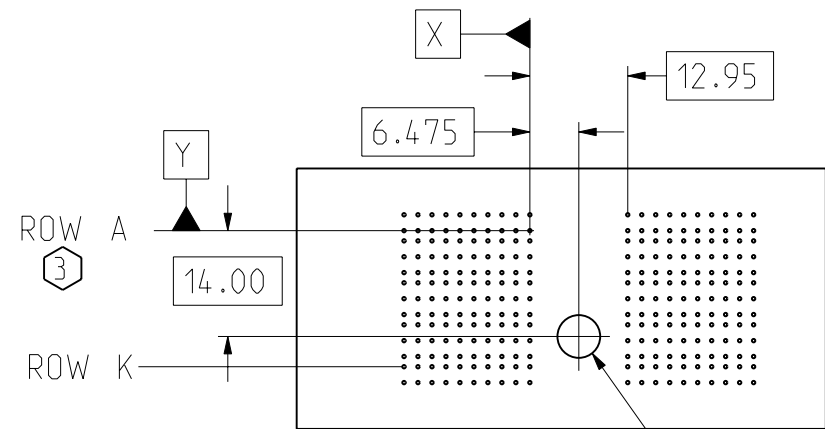
- ③ REFER TO BP CUSTOMER USE DRAWINGS FOR ROW AND COLUMN ASSIGNMENTS.
- ② PLATED THROUGH HOLE TO CONNECT TO CHASSIS FOR GROUNDING WIDE GUIDE MODULE OPTION. SEE TB-2090 FOR ROUTING GUIDELINES.
1. REFER TO TB-2085 FOR GbX PRODUCT SPECIFICATION.

NOTES:

INTERPRET PER ASME Y14.5M  
CODE IDENT 31413

CUSTOMER USE DRAWING

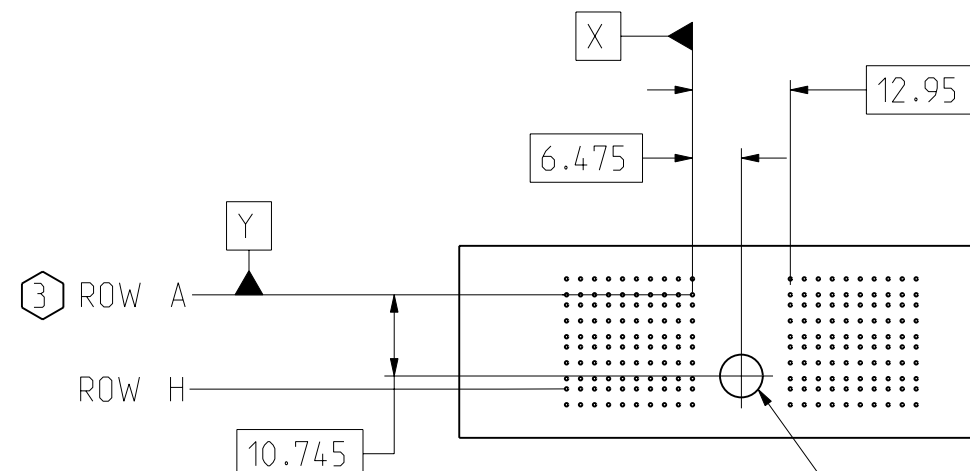
DRW NO. C-564-0470-000 SH 1 REV A



RECOMMENDED 1.35 PITCH  
BP HOLE LAYOUT  
4 PAIR

SEE TABLE 1 <sup>2</sup>

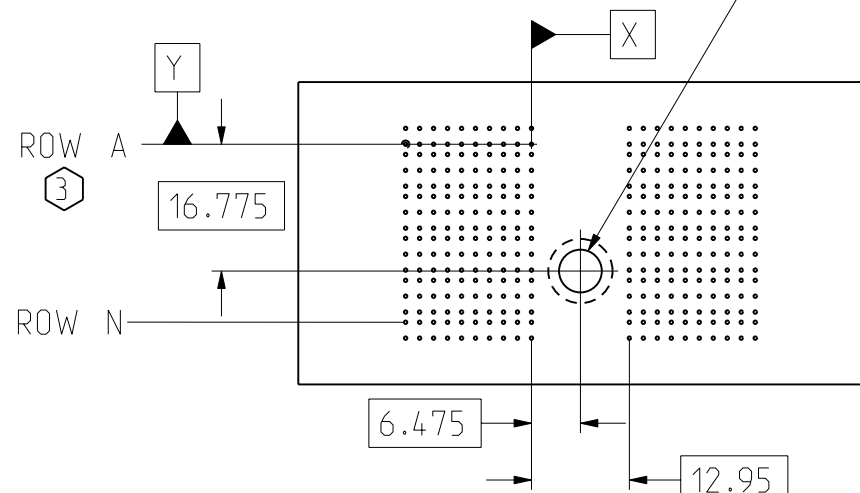
$\oplus$	$\varnothing 0.10$	X	Y
----------	--------------------	---	---



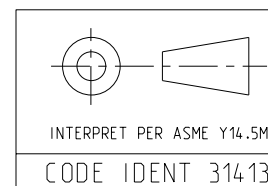
RECOMMENDED 1.35 PITCH  
BP HOLE LAYOUT  
3 PAIR

SEE TABLE 1 <sup>2</sup>

$\oplus$	$\varnothing 0.10$	X	Y
----------	--------------------	---	---



RECOMMENDED 1.35 PITCH  
BP HOLE LAYOUT  
5 PAIR



TOLERANCES		DESIGN 8/6/97 S.ALLEN
0.0	$\pm 0.25$	DRAWN 10/31/01 R.VASSAR
0.00	$\pm 0.13$	CHK 10/31/01 A.ASTBURY
0.000	$\pm -$	APVD 05/26/05 D.SMITH
ANGLES	$\pm -$	

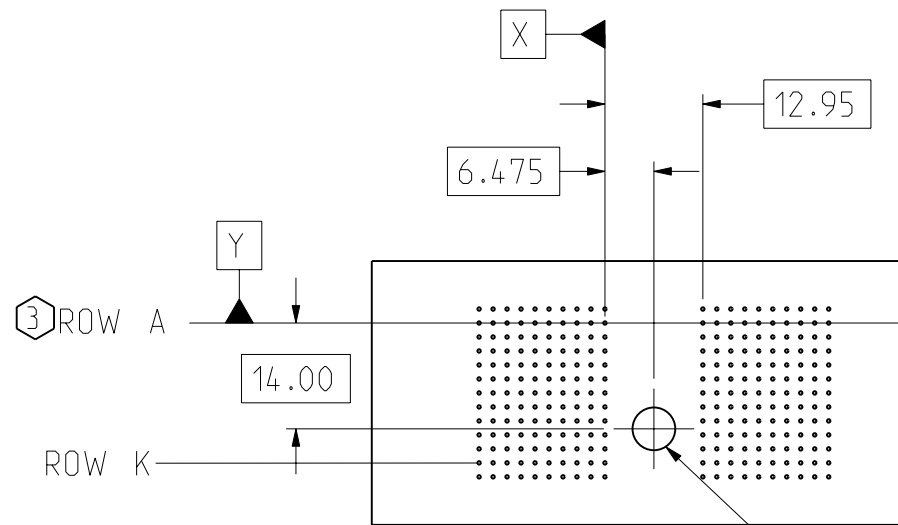
UNLESS OTHERWISE SPECIFIED DIMENSIONS  
ARE IN MM.DECIMAL MARKER IS PERIOD

CUSTOMER USE  
DRAWING

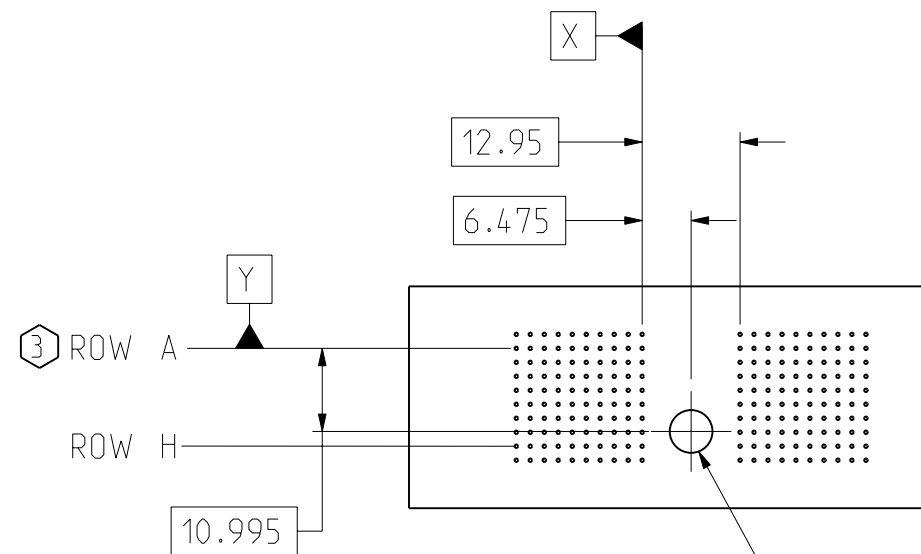
<b>Amphenol TCS</b> A Division of Amphenol Corporation 200 Innovative Way, Nashua, NH 03062 603.879.3000		TITLE	WIDE GUIDE PIN WIDE $\varnothing$ GUIDE PIN
		PART NO.	564-0470-553
REV	N/A	DRAWING NO.	C-564-0470-000
ProePART	P1021-BP-GUIDEPIN-WIDE-ALONE P1021-CU-BP-WIDE-GUIDEPIN .dwg	REV	A
SIZE	B	SCALE	1/1
		SHEET 2 OF 3	

DRW NO. C-564-0470-000

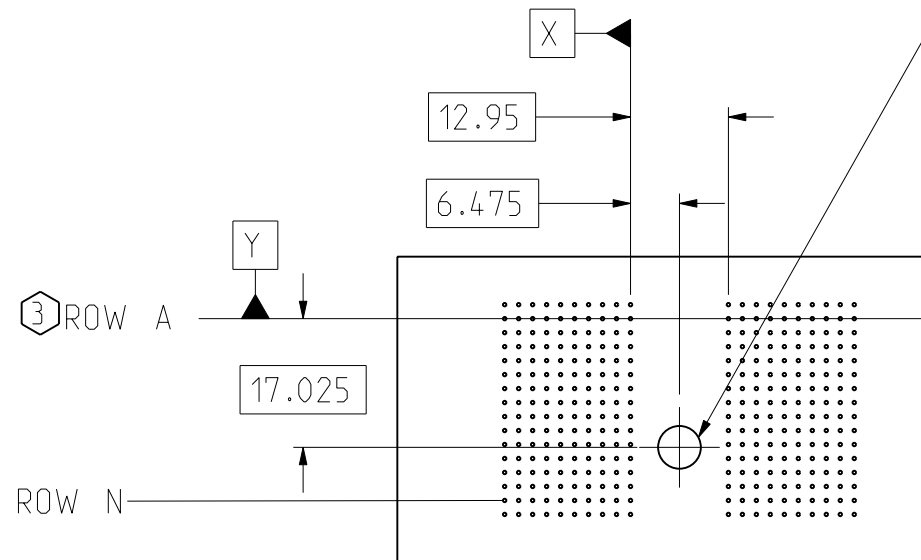
SH 2  
REV A



RECOMMENDED 1.85 PITCH  
BP HOLE LAYOUT  
4 PAIR



RECOMMENDED 1.85 PITCH  
BP HOLE LAYOUT  
3 PAIR



RECOMMENDED 1.85 PITCH  
BP HOLE LAYOUT  
5 PAIR

SEE TABLE 1  

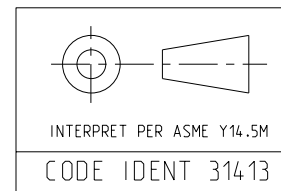
⊕	∅0.10	X	Y
---	-------	---	---

SEE TABLE 1  

⊕	∅0.10	X	Y
---	-------	---	---

TOLERANCES		DESIGN 8/6/97 S.ALLEN
0.0	±0.25	DRAWN 10/31/01 R.VASSAR
0.00	±0.13	CHK 10/31/01 A.ASTBURY
0.000	± -	APVD 05/26/05 D.SMITH
ANGLES	±-	

<b>Amphenol TCS</b> A Division of Amphenol Corporation 200 Innovative Way, Nashua, NH 03062 603.879.3000		SH 3
		REV A
TITLE WIDE GUIDEPIN WIDE ∅ GUIDEPIN		
PART NO. 564-0470-553	REV N/A	
DRAWING NO. C-564-0470-000		REV A
ProcPART P1021-BP-GUIDEPIN-WIDE-ALONE P1021-CU-BP-WIDE-GUIDEPIN .dwg		2.85 2.15
SIZE B	SCALE 1/1	SHEET 3 OF 3



UNLESS OTHERWISE SPECIFIED DIMENSIONS  
ARE IN MM.DECIMAL MARKER IS PERIOD

CUSTOMER USE  
DRAWING

## X-ON Electronics

Largest Supplier of Electrical and Electronic Components

*Click to view similar products for [High Speed/Modular Connectors](#) category:*

*Click to view products by [Amphenol](#) manufacturer:*

Other Similar products are found below :

[650827-1](#) [74040-1346](#) [1410191-1](#) [1410337-1](#) [1410368-3](#) [1410964-2](#) [1410326-3](#) [1410367-3](#) [1410971-4](#) [1467833-1](#) [2000877-1](#) [2000878-1](#)  
[2041314-1](#) [2065387-1](#) [2187307-1](#) [163P](#) [1934290-1](#) [2000875-1](#) [2065917-1](#) [2102736-2](#) [FSR-40](#) [2169868-2](#) [22354-8](#) [437-5040-000](#) [5-](#)  
[1393565-0](#) [039-0246-000](#) [0740618502](#) [0761601016](#) [10123159-12ELF](#) [030-2415-003/100 PK](#) [030-7380-004](#) [030-2494-001](#) [532939-1](#)  
[5532901-3](#) [3-1469268-7](#) [74748-102LF](#) [73670-0247](#) [10041743-101LF](#) [10066670-100002LF](#) [1-533915-1](#) [249-4515-000](#) [7-1469373-3](#) [DL2-](#)  
[2J/S](#) [2000713-8](#) [2000713-7](#) [3011-21](#) [757105208](#) [EBTF-4-10-2.0-S-RA-1](#) [430305-001](#) [4395800100](#)