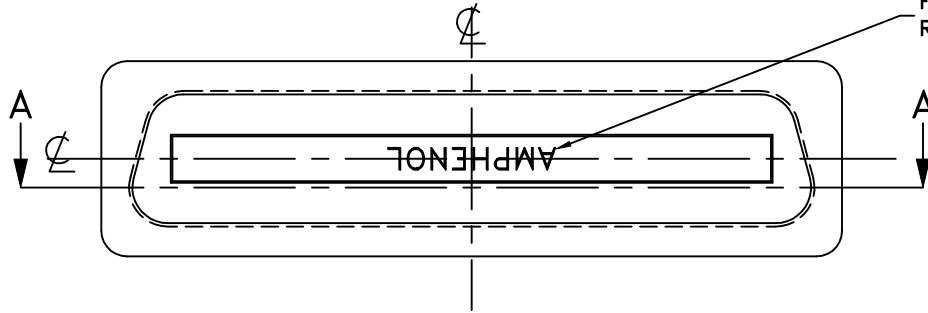


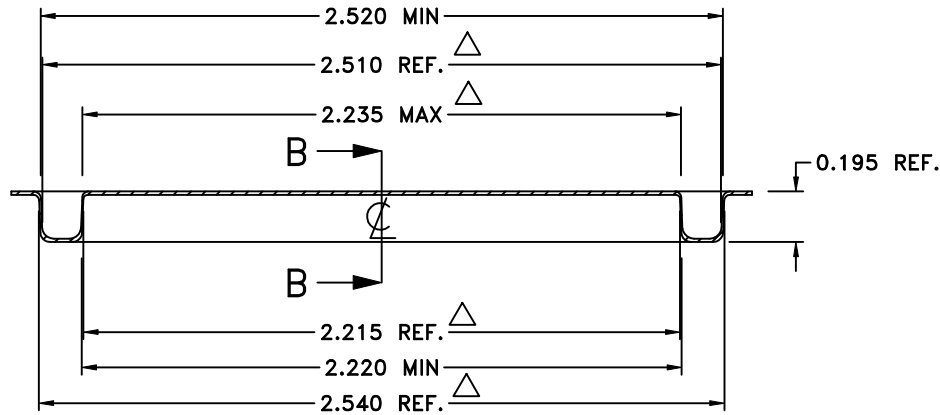
This document is the property of Amphenol Corporation and is delivered on the express condition that it is not to be disclosed, reproduced or used, in whole or in part, for manufacture or sale by anyone other than Amphenol Corporation without its prior consent, & that no right is granted to disclose or to use any information in this document.

REVISIONS				
SYM	ECN	DESCRIPTION	DATE	APPROVED
A	HK	RELEASE FOR CUSTOMER	03/04/02	Y.M.LEE

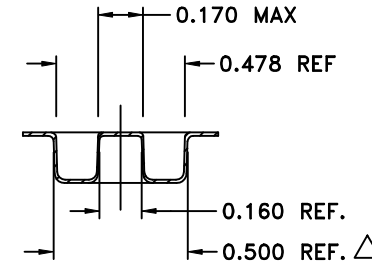
FORMED, 3/32 HIGH CHAR'S
RAISED 0.004/0.010



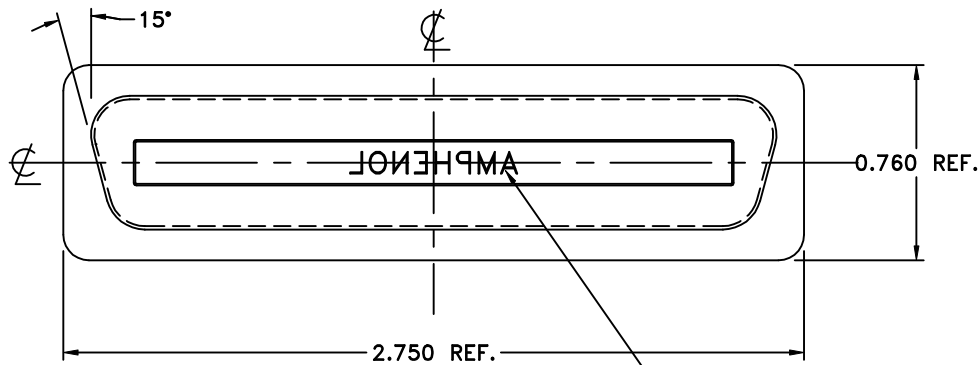
CUSTOMER INFORMATION DRAWING



SECTION VIEW A-A



SECTION VIEW B-B



FORMED, 3/32 HIGH CHAR'S
RECESSED 0.004/0.010

NOTES :

1. MATERIAL : PVC 0.0157" THICK.
2. DIMS. MARKED Δ TO BE SYMMETRICAL AROUND RESPECTIVE ϕ WITHIN 0.005 T.I.R.
3. PARTS TO BE CHECKED FOR PROPER; FORM , FIT AND FUNCTION USING 57 OR 157 SERIES "50" SIZE RECEPTACLE CONN. AND PLUG CONNECTOR, (SNUG FIT REQUIRED, LOOSE FIT IS NOT ACCEPTABLE).
4. MATERIAL IS CLEAR OR TRANSPARENCE.
5. PART TO BE FREE OF MAT'L VOIDS.
6. PACKAGING: BULK PACK INTO A CLEAR PLASTIC BAG.

ITEM NO	PART OR IDENTIFICATION NO	NOMENCLATURE OR DESCRIPTION	QTY REQ'D
PARTS LIST			
UNLESS OTHERWISE SPECIFIED TOLERANCES		APPROVAL	DATE
U.S. METRIC		DRAWN Y.M. LEE	03/04/02
.X +/-		CHECKED Y.M. LEE	03/04/02
.XX +/-		CHECKED	
.XXX +/-			
FRACTIONS +/-			
ANGLES +/-			
FOR MATERIALS AND FINISHES SEE NOTES		DRAWING FILE :	
REMOVE SHARP EDGES		DRAWING\57\C571763PREVA.DWG	
DIMENSIONS		ANGLE OF PROJECTION	
U.S. INCHES			
(METRIC) (MM)			
Amphenol			
Amphenol East Asia Limited Manufacturing Operation			
TITLE UNIVERSAL DUST COVER FOR 57 & 157 SERIES 50 SIZE PLUG OR RECEPTACLE CONNECTORS			
SIZE	DRAWING NO.	REV.	
A3	C57-1763P	A	
SCALE	NONE	SHEET 1 OF 1	

X-ON Electronics

Largest Supplier of Electrical and Electronic Components

Click to view similar products for [I/O Connectors](#) category:

Click to view products by [Amphenol](#) manufacturer:

Other Similar products are found below :

[571763P](#) [58098-0628](#) [72.250.1628.2](#) [72.250.2428.2](#) [74720-0505](#) [76.350.0729.0](#) [76871-1403](#) [FCN-244F080-G/1](#) [FCN-260A9920](#) [PCR-E36PM](#) [PCS-XE26MA+](#) [G38A71314B](#) [1571250010](#) [157-22500-3](#) [MS3471L14-19P L/C](#) [192991-0703](#) [172501-4002](#) [172501-6002](#) [FCN-260C008-A/L0](#) [FCN-260C024-AL0](#) [FCN-261Z008](#) [2000314-1](#) [200331-1](#) [PCR-E36FC+](#) [PCS-E28FS+](#) [PCS-XE26SLFD+](#) [PCS-XE26SLFDT+](#) [G730VID08BDC24](#) [HDR-E14MSG1+](#) [U90B2054081210](#) [UE86K842720321](#) [38113800006](#) [DP3AR020WQ1R200](#) [Z4.102.0680.0](#) [500-1040](#) [500-1052](#) [500-1054](#) [ZP-4008-66L](#) [0709821002](#) [DX40-20P\(55\)](#) [5554841-1](#) [MS3474W18-8P-LC*](#) [SM3106F14S-7S-LC](#) [U90B3054061110](#) [U65-E04-4020](#) [ZPF000000000097891](#) [557-262M2-06C](#) [747360449](#) [10099439-003C-TRLF](#) [10137239-0021LF](#)