

PRODUCT NUMBER
57202-XXX-XXXXXLF

PLATING
S = 0.38µm GOLD/GXT ON CONTACT AREA
3.81µm TIN LEAD ON TAIL
G = 0.76µm GOLD/GXT ON CONTACT AREA
3.81µm TIN LEAD ON TAIL
F = GOLD FLASH ON CONTACT AREA
3.81µm TIN LEAD ON TAIL

RoHS COMPATIBLE
SEE NOTE 7
POLARIZATION, SEE NOTE 6
PACKAGING, SEE NOTE 5
NB OF POS PER ROW : 02 TO 25

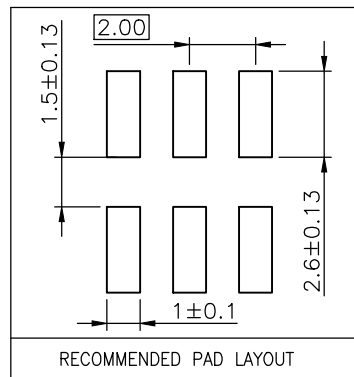
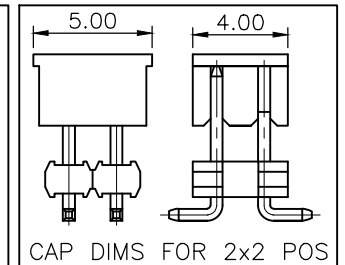
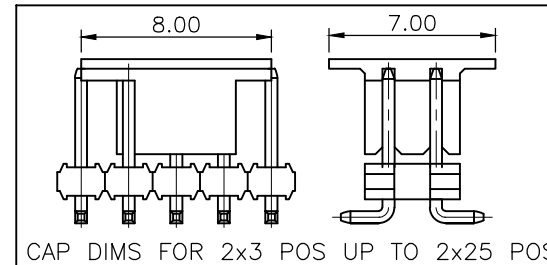
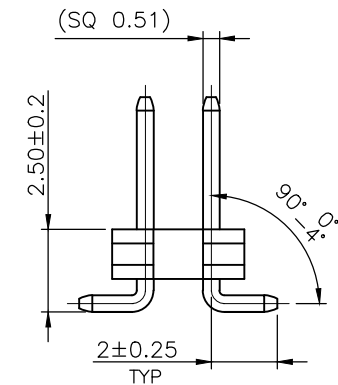
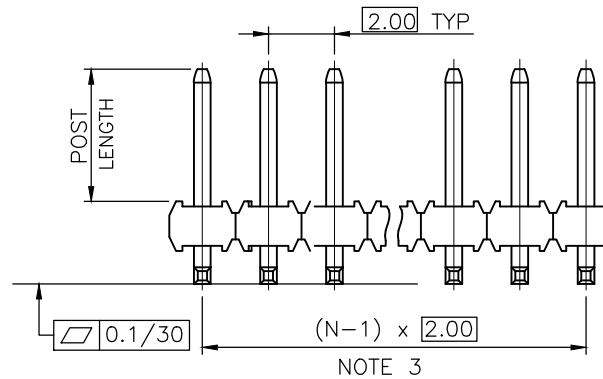
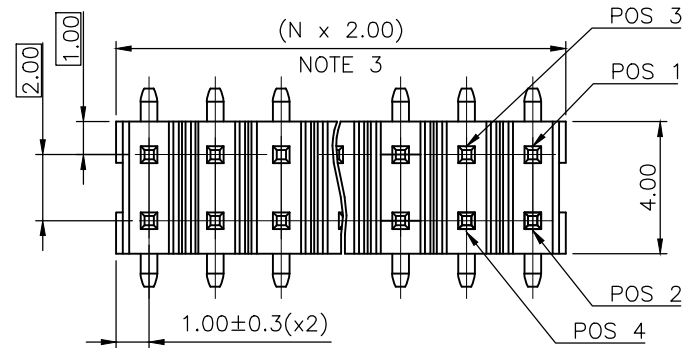
STYLE	POST LENGTH ±0.2
51	2.00
52	4.00
53	3.50
54	2.50

1.27µm MIN NICKEL UNDERPLATING

NOTES:

- MATERIAL HOUSING: HIGH TEMP. THERMOPLASTIC
UL 94V-0, COLOR BLACK
- MATERIAL TERMINAL: COPPER ALLOY
- TO DETERMINE DIMENSIONS:
N = NUMBER OF POSITIONS PER ROW.
- 7N MIN. PIN RETENTION IN EITHER DIRECTION.
- PACKAGING:
= STANDARD PACKAGING IN POLYBAGS
- = POLYBAGS PACKAGING WHEN POLARISATION FEATURE APPLICABLE.
U = TUBE AVAILABLE FROM 04 TO 25 POS PER ROW.
A = TAPE AND REEL WITH PICK UP CAP INSTALLED
IN THE CENTER OF THE PRODUCT FOR PICK AND PLACE
SEE TA 884 FOR PRODUCT AVAILABILITY.
K = TAPE AND REEL WITHOUT CAP, SEE TA884 FOR AVAILABILITY.
- FOR POLARIZATION, SPECIFY POSITION NUMBER TO OMIT PIN.
EXAMPLE : 03 = OMIT PIN POSITION 3, SEE TOP VIEW.
OMIT FROM PRODUCT NUMBER IF THIS FEATURE IS NOT APPLICABLE.
- RoHS COMPATIBLE PRODUCT SPECIFICATIONS
 - PLATING:
- "LF" MEANS THE PRODUCT IS LEAD-FREE,
2µm MINIMUM MATTE TIN OVER 1.27µm
MINIMUM NICKEL UNDERPLATE.
 - MANUFACTURING PROCESS COMPATIBILITY
- THE HOUSING WILL WITHSTAND EXPOSURE TO
260°C PEAK TEMPERATURE FOR 30 SECONDES
IN A CONVECTION, INFRA-RED OR VAPOR
PHASE REFLOW OVEN.
 - LABELLING:
- MEETS PACKAGING SPECS AS PER GS-14-920
 - LEGAL STATEMENT : SEE GS-47-0004

TOP VIEW



mat'l. code		surface		tolerance		projection		product family	
		ISO 1302		ISO 406		ISO 1101		MINITEK	
ltr		ecn no		dr		date		title	
L		F09-0087		JCO		09.09.04		UNSH HEADER	
M		F11-0026		LMU		11.05.12		2.00 mm VERTICAL SMT	
N		B-19190		LMU		14.10.24		scale 1:1	
P		B-19797		AMA		14.12.16		dwg no	
R		B-19988		LMU		15.01.13		sheet 1 of 1 size	
K		F08-0145		ELA		17.04.08		57202 A3	
sheet		revision		appd		chr		type	
index		sheet		JM.C		04.11.25		CUSTOMER Drawing	

X-ON Electronics

Largest Supplier of Electrical and Electronic Components

Click to view similar products for [Headers & Wire Housings](#) category:

Click to view products by [Amphenol](#) manufacturer:

Other Similar products are found below :

[892-18-020-10-001101](#) [58102-G61-06LF](#) [582553-1](#) [0009485154](#) [009176003701906](#) [0050291907](#) [LY20-4P-DT1-P1E-BR](#) [02.125.8002.8](#)
[609-3404](#) [61062-3](#) [622-0430](#) [622-3653LF](#) [63453-116](#) [636-1030](#) [636-1427](#) [636-3427](#) [636-4007](#) [641938-9](#) [641991-4](#) [644827-2](#) [65817-010LF](#)
[65817-015LF](#) [65863-015LF](#) [66207-023LF](#) [67095-007LF](#) [67601157](#) [68648-049](#) [70.362.1628.0](#) [70-4210](#) [70-4226B](#) [70-4853B](#) [707-5020](#) [707-](#)
[5028](#) [71.350.2428.0](#) [71918-208LF](#) [71961-016LF](#) [733-134](#) [733-162](#) [754199-000](#) [760-3052](#) [787-8014-00](#) [79531-3000](#) [FCN-360C032-B](#) [FCN-](#)
[367T-T012/H](#) [FCN-723D010/2](#) [80.063.4001.1](#) [800-90-001-10-001000](#) [800-90-010-10-002000](#) [801-43-002-10-013000](#) [801-43-006-10-002000](#)