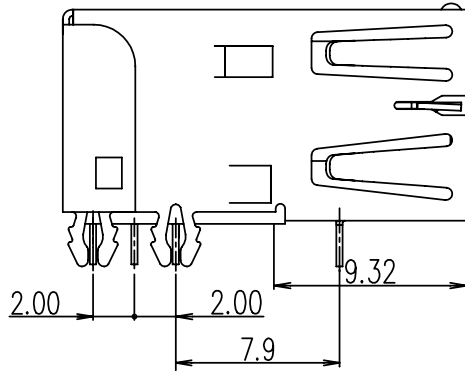
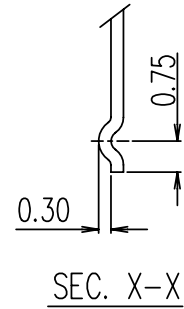


Tous droits strictement réservés. Reproduction ou communication à des tiers sans autorisation écrite du propriétaire.
 Droits de reproduction BERG ELECTRONICS by

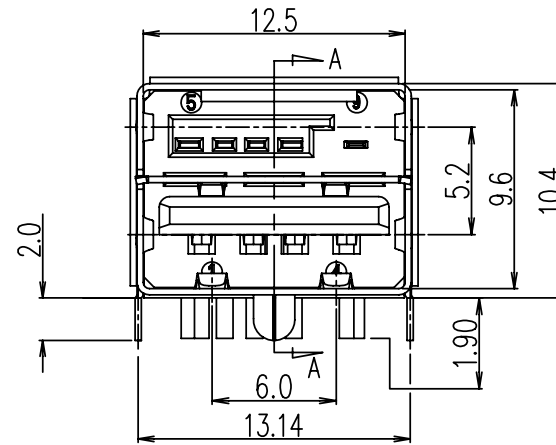
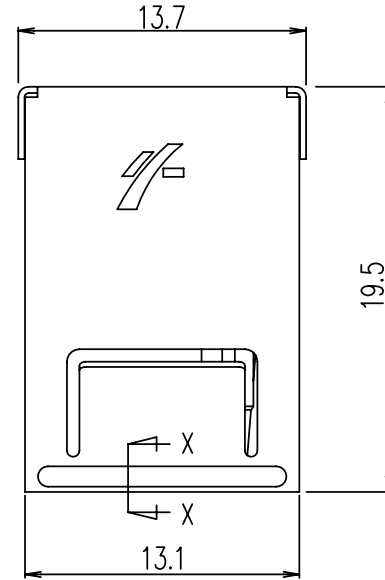


All rights strictly reserved. Reproduction or issue to third parties in any form or by any means, without written authority from the proprietor.
 Copyright BERG ELECTRONICS by

PRODUCT NO.
57489



TYPE A
NOTE ⑤



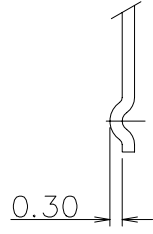
mat'l code		tolerance unless otherwise specified			CUSTOMER		www.fciconnect.com	
rev.	ecn no.	dr	date	linear	COPY		projection	title
H	V04-1160	PH	12/07/04		.X ±0.50			
J	N05-0097	PH	03/30/05	.XX ±0.25			product family USB	code
K	N05-0216	PH	07/21/05	.XXX ±0.15				
L	N08-0259	RB	2008/12/04	angles	0° ± 2°		scale	sheet
				dr	PETER	5/23/01		
				enr	R Y LIU	5/23/01	57489	
				chr	R Y LIU	5/23/01		
G	T03-0550	WL	12/12/03	appd	JENN TSAO	5/23/01		
sheet	revision							
index	sheet							

Tous droits strictement reserves. Reproduction ou communication a des tiers int sous quelque forme que ce soit sans autorisation ecrite du proprietaire. Property of c BERG ELECTRONICS. Droits de reproduction BERG ELECTRONICS by

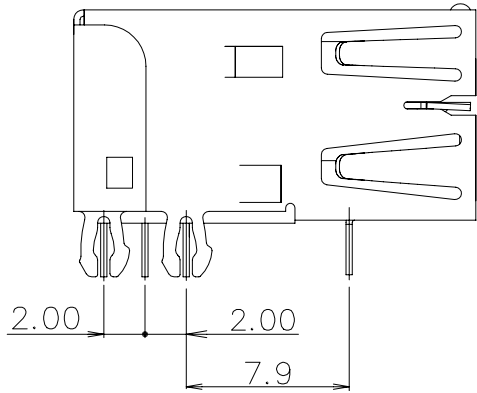
All rights strictly reserved. Reproduction or issue to third parties in any for whatever is not permitted without written authority from the proprietor. Property of c BERG ELECTRONICS. Copyright BERG ELECTRONICS by



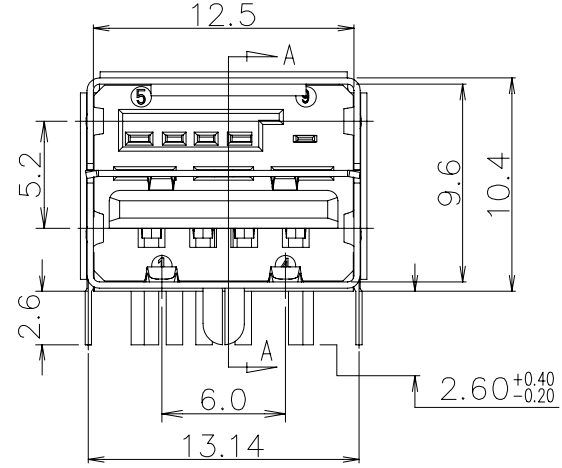
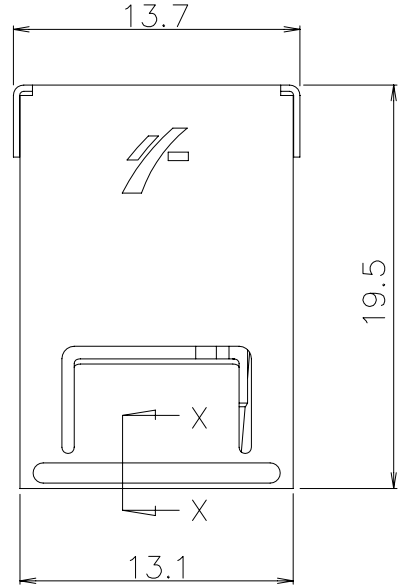
PRODUCT NO.
57489



SEC. X-X



TYPE B
NOTE ⑤

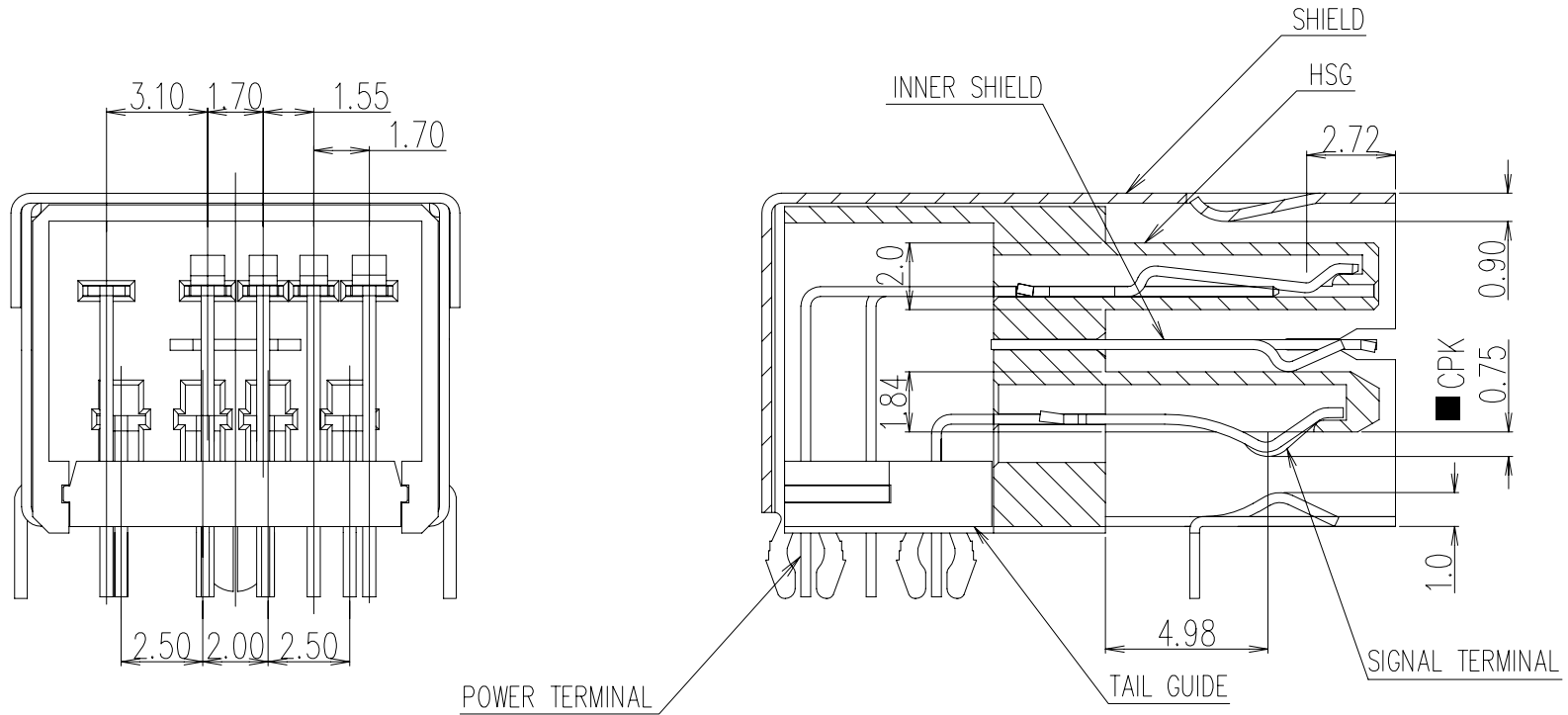


mat'l code		tolerance unless otherwise specified		CUSTOMER		FCJ www.fcconnect.com	
rev.	ecn no.	dr	date	.X ±0.50	COPY	title	
L				.XX ±0.25	projection	HORIZ. STYLE CONNECTOR USB+POWER ASSEMBLY	
				.XXX ±0.15	σ ± 2'	product family USB	
				angles	unit	code	
		dr	PETER	10/22/01	mm/inch	size	
		enr	R Y LUU	10/22/01	scale	dwg no.	
		chr	R Y LUU	10/22/01	A3	57489	
		appd	JENN TSAO	10/22/01		sheet 2 OF	
sheet index	revision sheet						

Tous droits strictement réservés. Reproduction ou communication à des tiers sans autorisation écrite du propriétaire.
 Droits de reproduction BERG ELECTRONICS by



All rights strictly reserved. Reproduction or issue to third parties in any form without written authority from the proprietor.
 Copyright BERG ELECTRONICS by



SECTION A-A

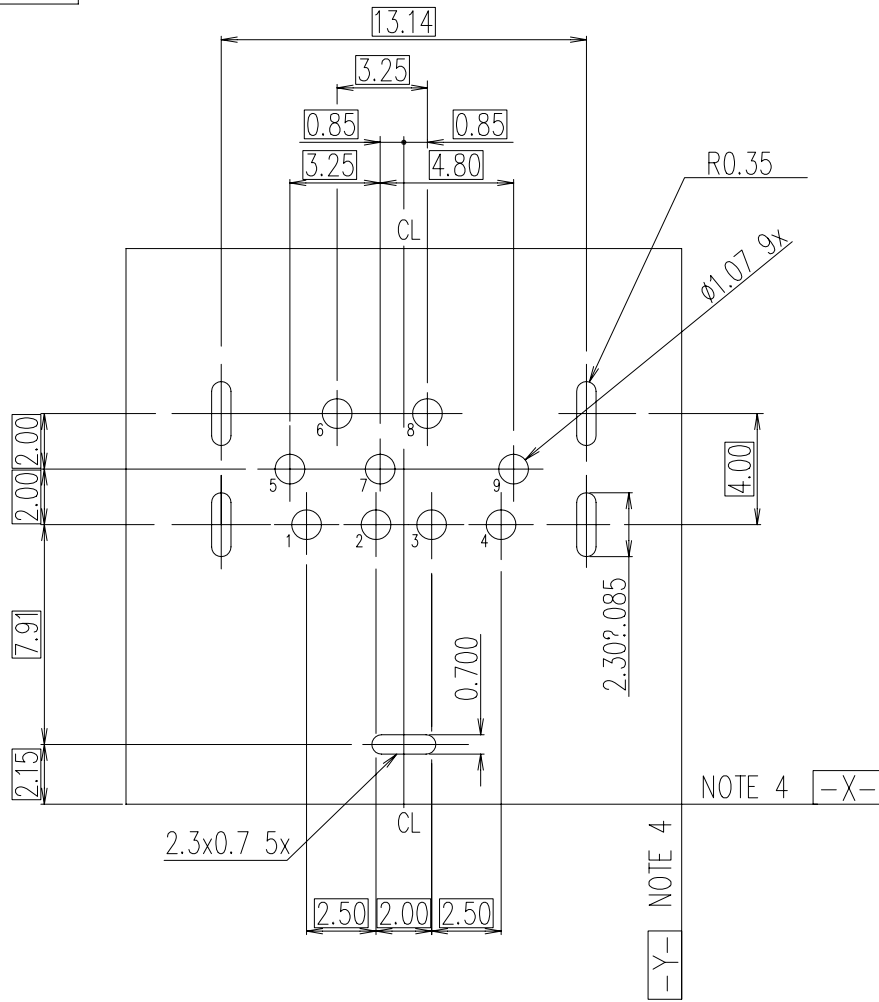
mat'l code		tolerance unless otherwise specified		CUSTOMER		FCJ www.fciconnect.com		
rev.	ecn no.	dr	date	linear	.X ±0.50	COPY		
L					.XX ±0.25	projection	title	
					.XXX ±0.15	⊕	HORIZ. STYLE CONNECTOR USB+POWER ASSEMBLY	
				angles	0° ± 2'	product family		
		dr	PETER	6/15/01	unit	USB	code	
		engr	R Y LIU	6/15/01	mm/inch			
		chr	R Y LIU	6/15/01	scale	size	dwg no.	
		appd	JENN TSAO	6/15/01		A3	57489	
sheet	revision							sheet
index	sheet							3 OF

Tous droits strictement réservés. Reproduction ou communication à des tiers sans autorisation écrite du propriétaire.
 Copyright © BERG ELECTRONICS BV
 Droits de reproduction BERG ELECTRONICS BV



All rights strictly reserved. Reproduction or issue to third parties in any form without written authority from the proprietor.
 Copyright © BERG ELECTRONICS BV

PRODUCT NO.
57489



RECOMMENDED PC DIMENSIONS

NOTES:

- MATERIAL:
HOUSING : HIGH TEMP PA46 PLASTIC OR EQUIVALENT APPROVED, UL 94V-0, COLOR-BLACK.
SHIELD: HIGH STRENGTH COPPER ALLOY,
FINISH: 50u" Nickel MINIMUM
TERMINAL: HIGH STRENGTH COPPER ALLOY,
FINISH: NICKEL UNDERPLATING
CONTACT AREA: 30u" Au MIN. OVER 50 u" NICKEL UNDERPLATE.
TAIL AREA: 100u" MIN. TIN/LEAD(57489-1010B/1020B) OR PURE TIN(57489-1010BLF/1020BLF) OVER 50u" NICKEL UNDERPLATE.
- USB SECTION CONFORMS TO USB 2.0 SPECIFICATION
- RECOMMEND PC BOARD THICKNESS SEE P/N CODE
- DATUM AND BASIC DIMENSIONS ESTABLISHED BY CUSTOMER
- TYPE A: FOR 1.2mm THICK PCB, P/N 57489-1010B/1010BLF & TAIL LENGTH 1.9mm
TYPE B: FOR 1.6mm THICK PCB, P/N 57489-1020B/1020BLF & TAIL LENGTH 2.6mm
- PACKAGING : IN TUBE.
- MATING PLUG NUMBER 57496.
- THIS PRODUCT IS MADE UNDER LICENSE OF IBM U.S. PATENT NO. 6334793
- P/N'S WITH SUFFIX "LF" ARE LEAD FREE P/N'S
- PACKING STANDARD GS-14-920 WILL BE APPLIED FOR LEAD FREE P/N'S
- FOR LEAD FREE P/N, THE PRODUCT MEET EUROPEAN UNION DIRECTIVES AND OTHER COUNTRY REGULATION AS DESCRIBED IN GS-22-008
- FOR LEAD FREE P/N, THE HOUSING WILL WITHSTAND EXPOSURE TO 260°C PEAK TEMPERATURE FOR 40 SECONDS IN A CONVECTION, INFRO-RED OR VAPOR PHASE REFLOW OVEN.

mat'l code		tolerance unless otherwise specified		CUSTOMER COPY		FCJ www.fcconnect.com		
rev.	ecn no.	dr	date	linear	.x ±0.50 .xx ±0.25 .xxx ±0.15 σ ± z'	projection 	title	
L							HORIZ. STYLE CONNECTOR USB+POWER ASSEMBLY	
							product family	code
		dr	PETER	6/21/01	unit	USB		
		enr	R Y LIU	6/21/01	mm/inch	size		
		chr	R Y LIU	6/21/01	scale	dwg no.		
		appd	JENN TSAO	6/21/01	A3	57489		
sheet	revision							
index	sheet							

PDM: Rev:L

STATUS: Released

Printed: Jul 28, 2010 6

X-ON Electronics

Largest Supplier of Electrical and Electronic Components

Click to view similar products for [Amphenol manufacturer](#):

Other Similar products are found below :

[PT01SE-16-8P\(027\)](#) [PT01SE-16-8P\(476\)](#) [CTV06RW-11-2JB-LC](#) [97-3108A-22-14P](#) [10-474017-10P](#) [MS27473P14B18S](#) [TV06RW-25-90AE](#)
[CTVS06RF-25-46PB-LC](#) [PT02E10-2PW](#) [PT02E10-2PX](#) [97-3106A18-3PX-958](#) [97-3106A18-3PY-958](#) [PT06J20-24SW](#) [TV06RL-13-35AD](#)
[TV06RL-13-98BD](#) [TV06RW-25-46AE](#) [TV06RL-13-35SD-LC](#) [TV06RL-13-35SD](#) [TV06RL-13-98SD-LC](#) [TV06RL-13-98SD](#) [TVP00RW-23-](#)
[53AD](#) [PT02E10-2PW-025](#) [100-007-213-002-001](#) [2M805-002-16NF23-12PA](#) [97-3108B16S-5PW-417](#) [97-3108B16S-5PY-417](#) [CS-](#)
[DSDMDB37MF-025](#) [97-3108B16S-5PZ-417](#) [GTC02R32-17S-025-RDS](#) [PT06SE2041P](#) [CF-5A9013-04N](#) [CF-6A4615-06N](#) [GTC02R32-17S-](#)
[025-RDS-LC](#) [GTC02R32-17S-025-LC](#) [PT06SE-24-61P\(LC\)](#) [SP28W1F](#) [TV07DT-25-37P](#) [TV07DT-25-37JN-LC](#) [TV07DT-25-37S](#) [TV07DT-](#)
[25-37S-LC](#) [TV07DT-25-46P-LC](#) [97-3101A20-21P-958](#) [TV07DT-25-90P-LC](#) [TV07DT-25-46A](#) [TV07DT-25-37P-LC](#) [GTS08-36-22PZ-025-](#)
[B30](#) [PT00SP2241P](#) [CTVPS00RF-15-15AC](#) [LJT06RT-15-35PB\(023\)](#) [TVS07RF-15-15AB](#)