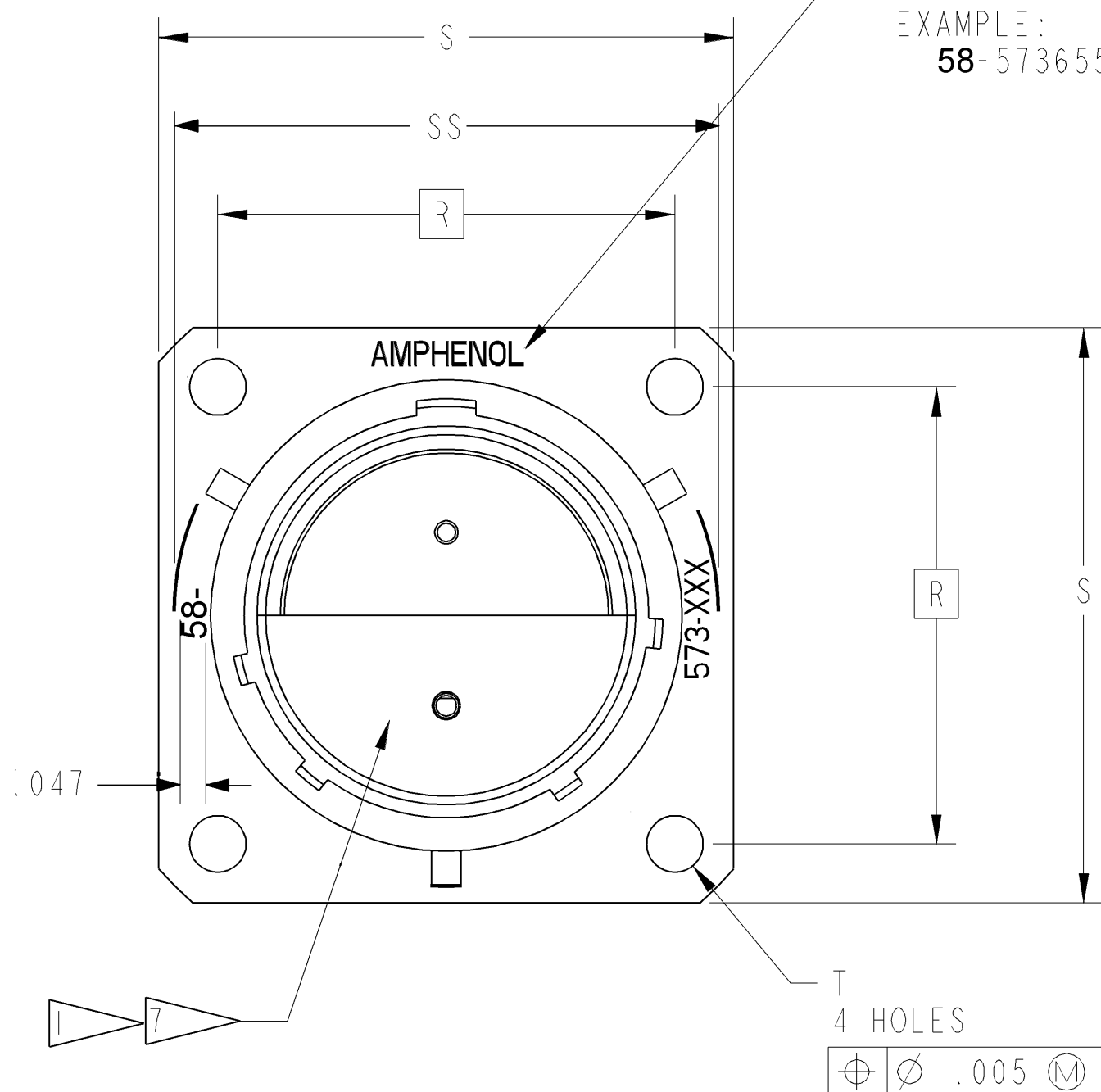
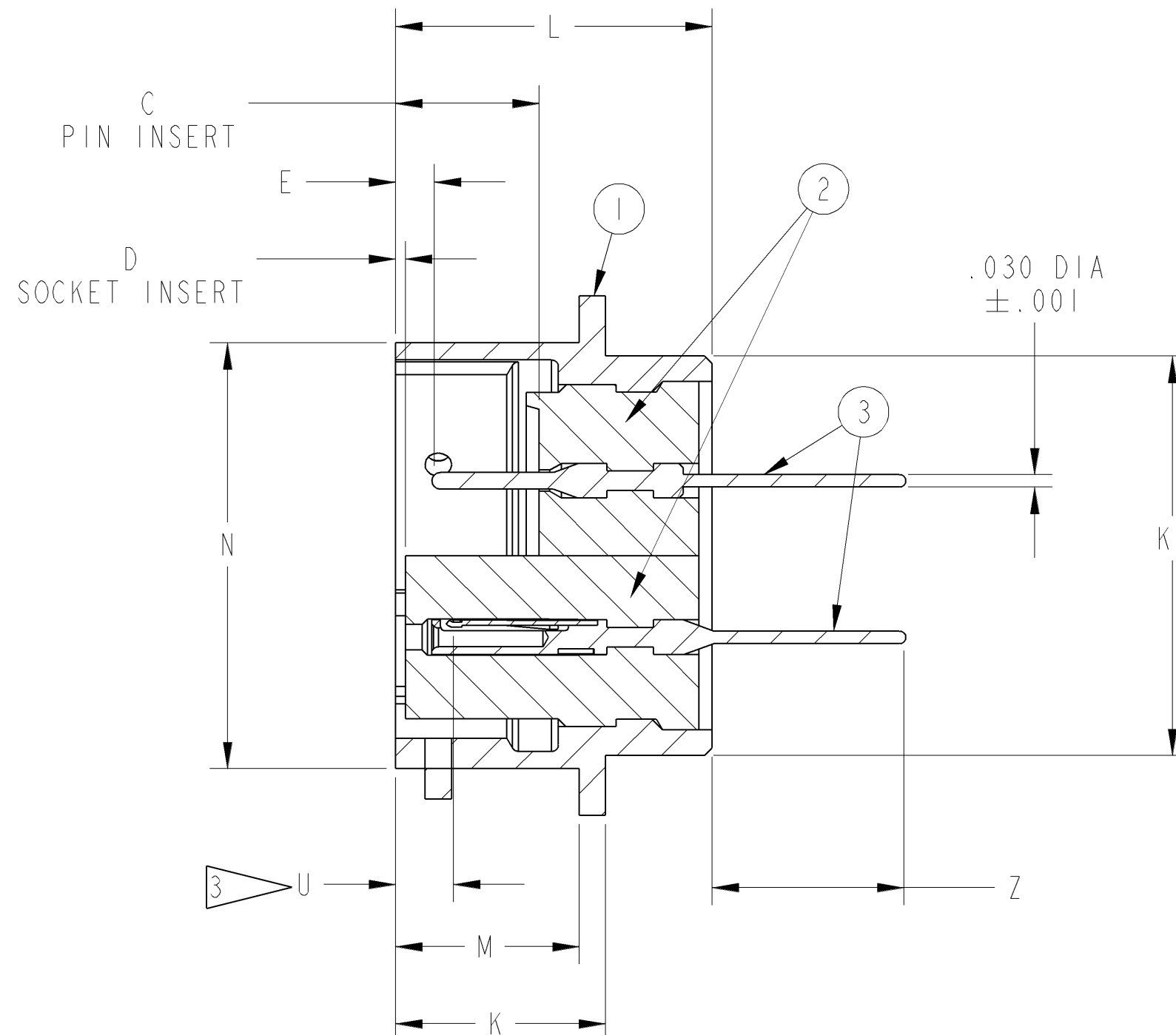


REVISIONS			
LTR	DESCRIPTION	DATE	APPVD
A	INITIAL RELEASE NUM: -----		
B	(CL II) SEE ECN: 97133	J. BIANCHI 02/12/07	
C	(CL II) REPLACED 10-497513-01D WITH 10-664164-ADD ECN: A3460	H.BROOKER 1/15/08	

WHITE INK STAMP "AMPHENOL AND
ASSEMBLY NO., PER 9-3856-5
EXAMPLE:
58-573655



T
4 HOLES
⊕ ∅ .005 M



CONTACTS	
16S PIN	10-247920-161
16S SOCKET	10-247922-161
16L PIN	10-247924-161
16L SOCKET	10-247926-161
20S PIN	10-497512-ID
20S SOCKET	SEE NOTE 9
20L PIN	10-497534-ID
20L SOCKET	10-597859-A55

POS	QTY	PART NUMBER	DESCRIPTION	NOTE
3		SEE CONTACT CHART	CONTACT	9
2	1	10-1018XX-() OR 10-2528XX-()	INSERT	9
1	1	10-150902-XXX	SHELL	

SEE SHEET 2.

NOTES:

THIS DOCUMENT CONTAINS PROPRIETARY INFORMATION AND SUCH INFORMATION MAY NOT BE DISCLOSED TO OTHERS FOR ANY PURPOSE OR USED FOR MANUFACTURING PURPOSES WITHOUT WRITTEN PERMISSION FROM THE AMPHENOL CORPORATION.

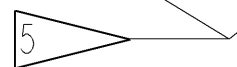
COMPANY ID: 9	CODED/MS/CUST: N	N/A
INTERNAL: N	LOT NO: N	
DATE CODE: N	SEE DRAW: N	N/A
STAMPING DATA		NEXT ASSEMBLY

UNLESS OTHERWISE SPECIFIED	SPECIFICATIONS	POS	QTY	PART NUMBER	DESCRIPTION	NOTE
LINEAR DIMENSIONS ARE IN INCHES TOLERANCES: .XXX = ±.010 .XX = ±.03 .X = ±.1 ANGLES = ±2° OTHER STANDARDS PER 9-3800 AND DOD-D-1000 THIRD ANGLE PROJECTION NOTE REF. = X	MATERIAL SPEC. N/A					
PROCESS SPEC. SEE NOTE 10	APPROVALS PREPARED J HORVATH CHECKED MATERIAL APPROVED APPROVED					
<p>AMPHENOL CORPORATION BENDIX CONNECTOR OPERATIONS SIDNEY, N.Y.</p> <p>RECEPTACLE, ELECTRICAL CONNECTOR, TYPE PT-A()FB, BLACK ZINC ALLOY PLATED</p>						
	PRO/ENG INFORMATION 573.ASSEM 71-573650A	SIZE C	FSCM NO. 77820	DOCUMENT NO. 58-573650/659	REV. C	
		SCALE: NONE		REF: 71-146206/250	SHEET 1 OF 2	

FAMCODES DATA3: *** CICS: ***

DOC NO 58-573650/659 SH 1 OF 2

ASSEMBLY NUMBER	PT. NO.	C	D	E	K	L	M	N	R	S	T	U	Z	SS	KK
	REF							DIA			DIA	MAX		DIA	DIA
		+ .010	+ .010	+ .010	+ .021	± .031	+ .010	+ .001		+ .011	± .005		+ .040	+ .000	+ .011
		- .025	- .025	- .020	- .010		- .000	- .005		- .010			- .050	- .016	- .000
58-573650 -()	02A - 6-()	.337	.025	.085	.493	.743	.431	.348	.469	.688	.120	.153	.380	.439	.312
58-573651 -()	- 8-()							.473	.594	.812				.563	.438
58-573652 -()	- 10-()							.590	.719	.938				.680	.562
58-573653 -()	- 12-()							.750	.812	1.031				.859	.688
58-573654 -()	- 14-()							.875	.906	1.125				.984	.812
58-573655 -()	- 16-()							1.000	.969	1.219				1.108	.938
58-573656 -()	- 18-()							1.125	1.062	1.312				1.233	1.062
58-573657 -()	- 20-()	.399	.087	.147	.650	.994	.556	1.250	1.156	1.438		.215	.286	1.358	1.188
58-573658 -()	- 22-()				.650	.994	.556	1.375	1.250	1.562			.286	1.483	1.312
58-573659 -()	- 24-()				.683	1.027	.589	1.500	1.375	1.688	.147		.253	1.610	1.438



10. PROCESS SPEC:
 TEST 9-3353-8
 ASSY 9-3443-6

9-3856-5, 9-2437-1

9. SEE SEPARATE PARTS LIST FOR COMPONENT PART NUMBERS AND QUANTITIES.
8. SEE WORK ORDER FOR PERMISSIBLE ADDITIONAL OR ALTERNATE STAMPING.
7. FOR CONTACT ARRANGEMENTS, SEE L-15206/50.
6. UNITS ILLUSTRATED MEET THE APPLICABLE REQUIREMENTS OF MIL-C-26482.
5. FOR COMPLETE ASSEMBLY NO. & PT NO. REF. ADD APPLICABLE INSERT ARRANGEMENT SUFFIX TO BASE NUMBERS LISTED ABOVE PER 9-2437-1.
4. STAMPING MAY BE ON EITHER SIDE OF FLANGE (ONE SIDE ONLY).
3. DISTANCE BETWEEN END OF SHELL & THE POINT AT WHICH A GAGE PIN, HAVING THE SAME BASIC DIAMETER AS THE MATING CONTACT & A SQUARE FACE, ENGAGES SOCKET CONTACT SPRING.
2. SEE DRAWING **58-146606/50** FOR REQUIRED MATING PLUG ASSEMBLIES.
1. INSERTS & CONTACTS MUST NOT BE REMOVED.

NOTES:

THIS DOCUMENT CONTAINS PROPRIETARY INFORMATION AND SUCH INFORMATION MAY NOT BE DISCLOSED TO OTHERS FOR ANY PURPOSE OR USED FOR MANUFACTURING PURPOSES WITHOUT WRITTEN PERMISSION FROM THE AMPHENOL CORPORATION.

SIZE C	FSCM NO. 77820	DOCUMENT NO. 58-573650/659	REV. C
SCALE: 3.0	REF: 58-570120/129	SHEET 2 OF 2	

58-573650/659
2 OF 2

X-ON Electronics

Largest Supplier of Electrical and Electronic Components

Click to view similar products for [Circular MIL Spec Connector](#) category:

Click to view products by [Amphenol](#) manufacturer:

Other Similar products are found below :

[89075GULPR](#) [0025-262-542](#) [0025-264-3014](#) [58-570121-04S](#) [0134-213-1208](#) [0134-213-2209](#) [0025-258-000](#) [60-042022-07P](#) [60-042022-19P](#)
[60-042022-23P](#) [60-042217-10P](#) [60-042217-11P](#) [0114-201-1278](#) [012-0467-000](#) [602GB06EG24-61SN](#) [0134-201-1207](#) [0134-213-1006](#) [6104-](#)
[207-2302](#) [6104-208-1902](#) [61-168211-04P](#) [61-168617-10P](#) [6131-202-19149P](#) [6131-204-21149P](#) [6131-208-13149P](#) [6131-209-17149P](#) [6131-](#)
[210-11149P](#) [6131-211-19149P](#) [6131-216-19149P](#) [6131-259-21149P](#) [6131-259-23149P](#) [6131-265-17149P](#) [6131-265-19149P](#) [CS3100A18-1P-](#)
[472](#) [CS3100A-36-77P](#) [CS3101A-16-55P](#) [CS3102A-10SL-55P](#) [CS3102A-14S-58P](#) [CS3102A-18-1P116](#) [CS3102A-32-17P](#) [CS3102A32-25S](#)
[CS3102C18-4P-472](#) [CS3106A10SL3S004](#) [CS3106A-18-73S](#) [CS3108A-14S-52S](#) [CS3108A-28-51S](#) [6162-233-1277](#) [6162-324-1231](#)
[M243082296Z](#) [M2884010AC1S1](#) [CT0-24-10SC](#)