

mot'l. code	ecn no	dr	dtte	lineor	angles	enfr	JPEH	chr	GL	Lo	pppd	JOEY	NG	11/16/04	scale	projection	title
				.XX ± 0.20	0° ± 2°										MM		S-ATA SIGNAL PLUG
				.XXX ± 0.10											NA		SMT VERTICAL TYPE ASS'Y
																	product family
																	SATA
																	size/dwg no
																	59334
																	code
																	TWN
																	sheet
																	1 of
																	sheet
																	1 of

CONFIDENTIAL



www.fciconnect.com

1 2

ACAD

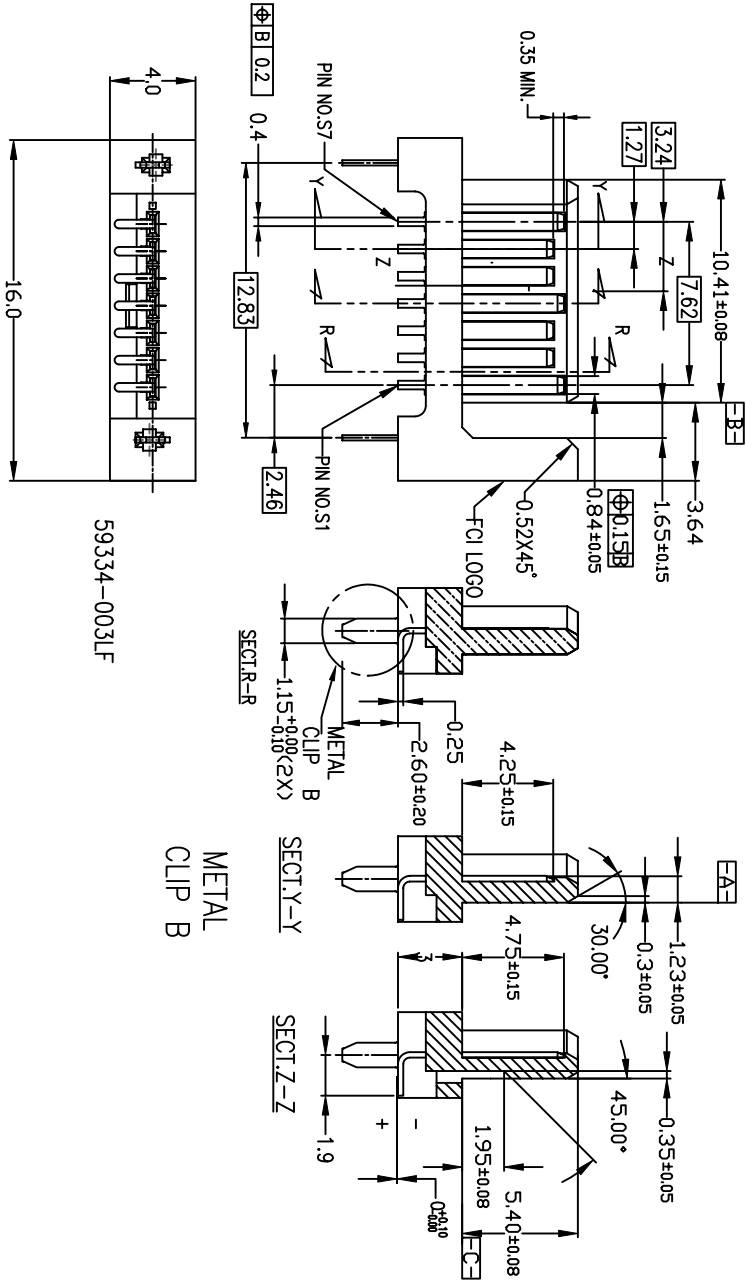
3

4

1 2

3

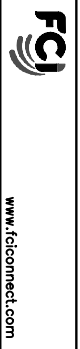
4



59334-003LF

METAL CLIP B

CONFIDENTIAL



S-ATA SIGNAL PLUG
SMT VERTICAL TYPE ASS'Y

mot'l. code	ecn no	dr	dtte	linear	angles	engr	JPEH	JPEH	chr	GL Lo	oppl	JOEY	NG	11/16/04	11/16/04	scale	projection	MM	product family	SATA	code	TWN	sheet	2 of
				.XX \pm 0.20	0° \pm 2°																			
C	T06-0078	S.Lin	5/12/06																					
D	T06-0139	S.Lin	07/31/06	.XXX \pm 0.10																				
E	T07-1010	S.Lin	4/11/07																					
F	T07-1010	S.Lin	6/7/07																					
G	T07-1101	S.Lin																						

1 2

ACAD

3

cage code

4

1 2

3

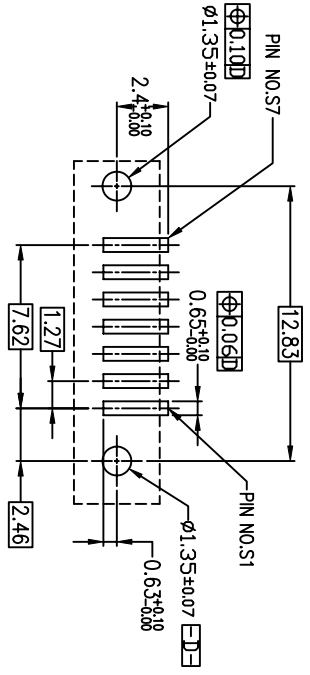
4

- NOTE
1. THIS PRODUCT MEETS THE SATA SPEC REV.1.0a
 2. MATERIAL
 - i) HOUSING : HIGH TEMPERATURE THERMOPLASTIC UL94V-0
 - ii) TERMINAL : COPPER ALLOY
 - iii) HOLD DOWN : COPPER ALLOY
 3. P/N : 59334-XXXXLF
 - i) TERMINAL : Au PLATING AT CONTACT POINT WITH NICKEL UNDERPLATE
 - ii) HOLD DOWN : MATT Sn PLATING
 4. THE HOUSING WILL WITHSTAND EXPOSURE TO 260 C PEAK TEMPERATURE FOR 10 SECONDS IN A CONNECTION, INFRA-RED OR VAPOR PHASE REFLOW OVEN.
 5. FOR P/N NO: 59334-XXXXLF, THIS PRODUCT MEETS EUROPEAN UNION DIRECTIVES AND OTHER COUNTRY REGULATIONS AS DESCRIBED IN GS-22-008.
 6. PRODUCT NUMBERING:
 - 59334 - X X X L F - LEAD FREE

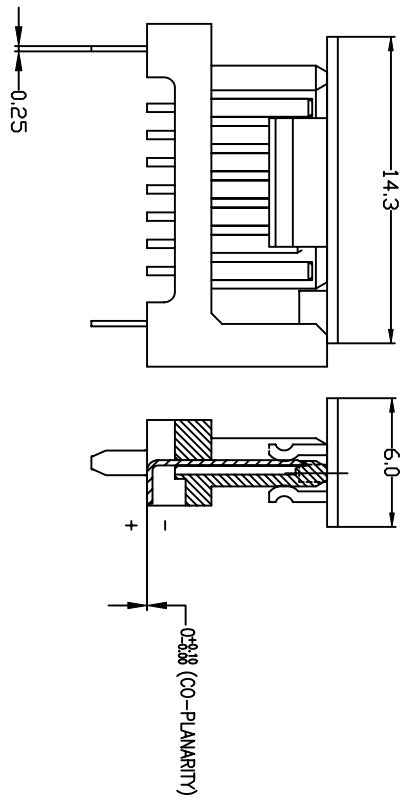
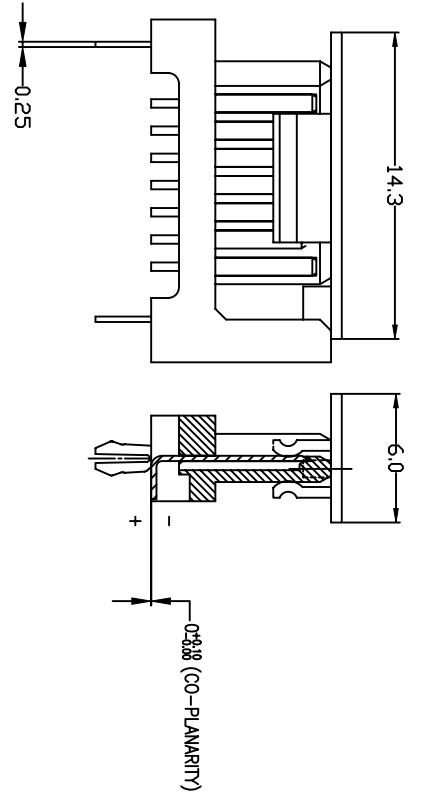
HOUSING COLOR:
BLANK : BLACK

PACKING:
0: TUBE
1: TRAY WITH CAP
2: TAPE & REEL WITH CAP

PLATING AT CONTACT AREA
0: 15 U" GOLD
1: 5U" GOLD



RECOMMENDED MOUNTING LAYOUT
RECOMMENDED PCB T = 1.60mm
TOLERANCE UNLESS OTHERWISE : ±0.1



mot'l. code	ecn no	dr	dtte	linear	angles	projection	scale	product family	code
A	S03-0057	JPEH	04/15/03	.XX ± 0.20		MM	NA	SATA	TWN
B	S04-0170	JPEH	08/04/04	.XXX ± 0.10	0° ± 2°			SATA	1 of
C	S04-0244	GIL	11/16/04					SATA	
D	T06-0078	S.Lin	5/12/06	JPEH	JPEH	MM	NA	SATA	
E	T06-0139	S.Lin	7/31/06	JPEH	JPEH	MM	NA	SATA	
F	T07-1010	S.Lin	4/11/07	chr GL LOO	JPEH	MM	NA	SATA	
G	T07-1101	S.Lin	6/07/07	JPEH	JPEH	MM	NA	SATA	

CONFIDENTIAL

FCI
www.fciconnect.com

S-ATA SIGNAL PLUG
SMT VERTICAL TYPE ASS'Y

product family: SATA
SMT dwg no: 59334
code: TWN
sheet: 1 of

X-ON Electronics

Largest Supplier of Electrical and Electronic Components

Click to view similar products for [I/O Connectors](#) category:

Click to view products by [Amphenol](#) manufacturer:

Other Similar products are found below :

[571763P](#) [58098-0628](#) [72.250.1628.2](#) [72.250.2428.2](#) [74720-0505](#) [76.350.0729.0](#) [76871-1403](#) [FCN-244F080-G/1](#) [FCN-260A9920](#) [MP-5T180MUNNA-005](#) [PCR-E36PM](#) [PCS-XE26MA+](#) [G38A71314B](#) [1571250010](#) [157-22500-3](#) [MS3471L14-19P L/C](#) [192991-0703](#) [172501-4002](#) [172501-6002](#) [FCN-260C008-A/L0](#) [FCN-260C024-AL0](#) [FCN-261Z008](#) [2000314-1](#) [200331-1](#) [PCR-E36FC+](#) [PCS-E28FS+](#) [PCS-XE26SLFD+](#) [PCS-XE26SLFDT+](#) [G730VID08BDC24](#) [U90B2054081210](#) [UE86K842720321](#) [38113800006](#) [DP3AR020WQ1R200](#) [Z4.102.0680.0](#) [500-1040](#) [500-1052](#) [500-1054](#) [ZP-4008-66L](#) [0709821002](#) [DX40-20P\(55\)](#) [5554841-1](#) [MS3474W18-8P-LC*](#) [U90B3054061110](#) [U65-E04-4020](#) [ZPF000000000097891](#) [557-262M2-06C](#) [747360449](#) [10099439-003C-TRLF](#) [10137239-0021LF](#) [E9320-001-01](#)