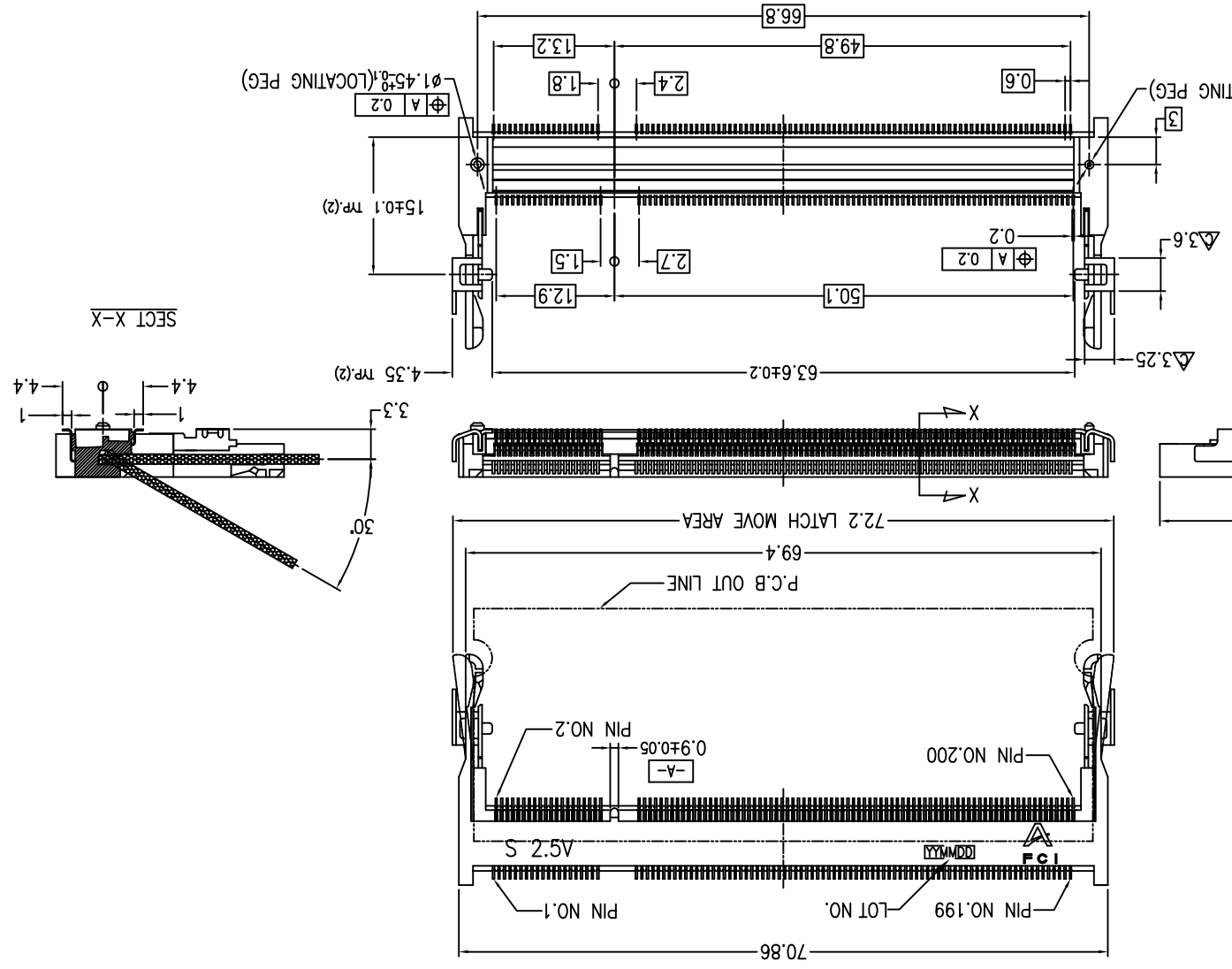
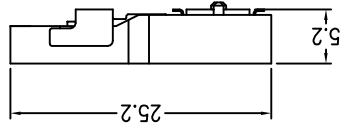


PRODUCT NO.
 SEE SHEET 4



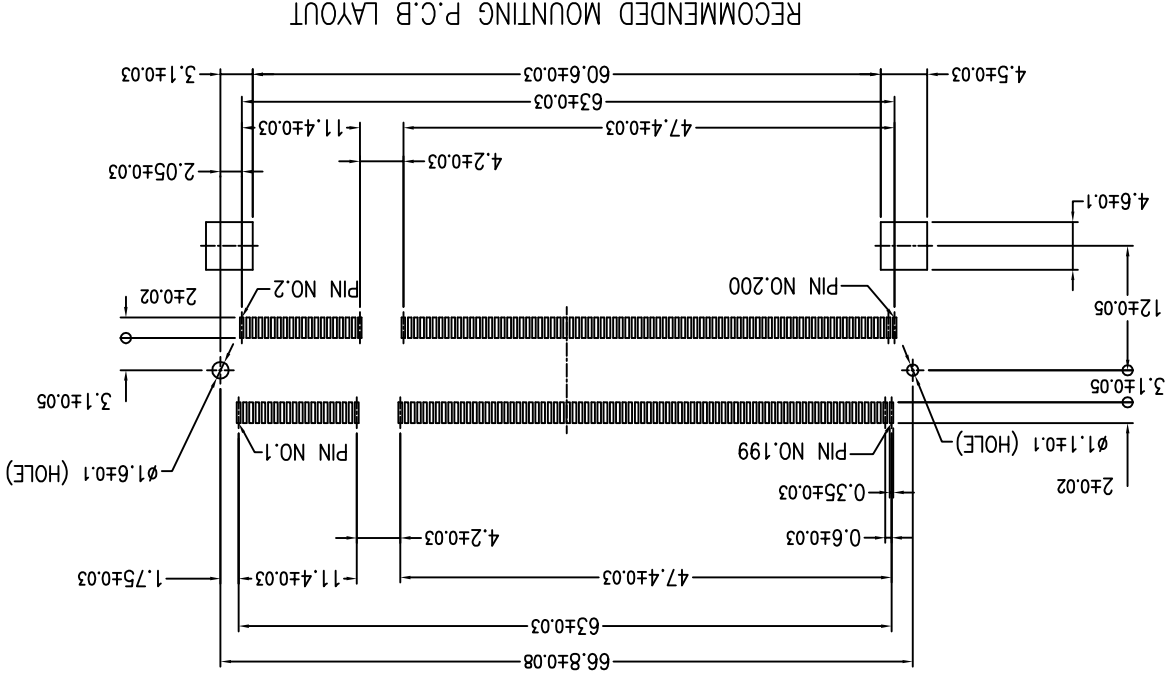
- NOTE
1. PRODUCT SPEC. : GS-12-195
 2. PACKAGING SPEC. : GS-14-786
 3. MATERIAL
 - 1) HOUSING : LCP, UL94V-0, COLOR BLACK
 - 2) CONTACT : COPPER ALLOY
 - 3) HOLD DOWN : BRASS
 4. FINISH
 - 1) TERMINAL : SEE TABLE
 - 2) HOLD DOWN : SEE TABLE
 5. CO-PLANARITY : 0.1 MAX.(INCLUDE HOLD DOWN)
 6. THIS PRODUCT MEETS EUROPEAN UNION DIRECTIVES AND OTHER COUNTRY REGULATIONS AS DESCRIBED IN GS-22-008.
 7. THE HOUSING WILL WITHSTAND EXPOSURE TO 260° PEAK TEMPERATURE FOR 10 SECONDS IN A REFLOW SOLDER APPLICATION.

mat'l. code

itr	ecn no	dr	date	linear	angles	tolerances unless otherwise specified	CUSTOMER COPY
G	104-0132	M.H	04/06/04			.X ± 0.30	FCI www.fciconnect.com
H	105-0022	R.C	01/27/05			.XX ± 0.30	
J	105-0026	R.C	02/04/05			.0 ± 2°	title DDR SO-DIMM 0.6 mm PITCH 200 POS. STANDARD TYPE ASS'Y
K	DG05-0388	K.W	10/13/05	dr	M.Hasegawa	4/6/04	product family 50UF SO-DIMM
L	DG08-0333	B.L	12/01/08	engr	M.Hasegawa	4/6/04	size dwg no 59354
				chr			scale 2:1
				appd			sheet 1 of 4



PRODUCT NO. 59354-x52xx



mat'l. code			tolerances unless otherwise specified			CUSTOMER COPY			www.fciconnect.com		
itr			ecn no			dr			date		
linear			.X ± 0.30			projection			title		
angles			° ± 2'			product family			DDR SO-DIMM 0.6 mm PITCH 200 POS. STANDARD TYPE ASSY		
dr			M.Hasegawa			11/10/03			product family		
enrg			M.Hasegawa			11/10/03			size dwg no		
chr			appd			scale			59354		
sheet			revision			2:1			sheet		
index			sheet			2 of			JP		

ACAD

PDM: Rev.L

STATUS: Released

Printed: Jul 28, 2010

1 | 2

3

4

1 | 2

3

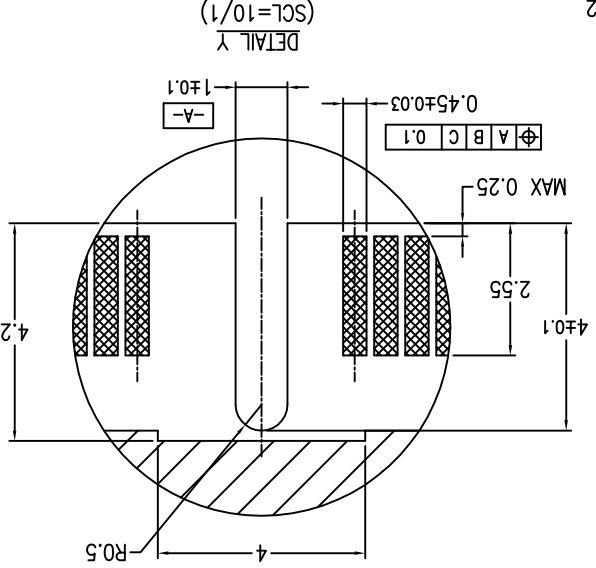
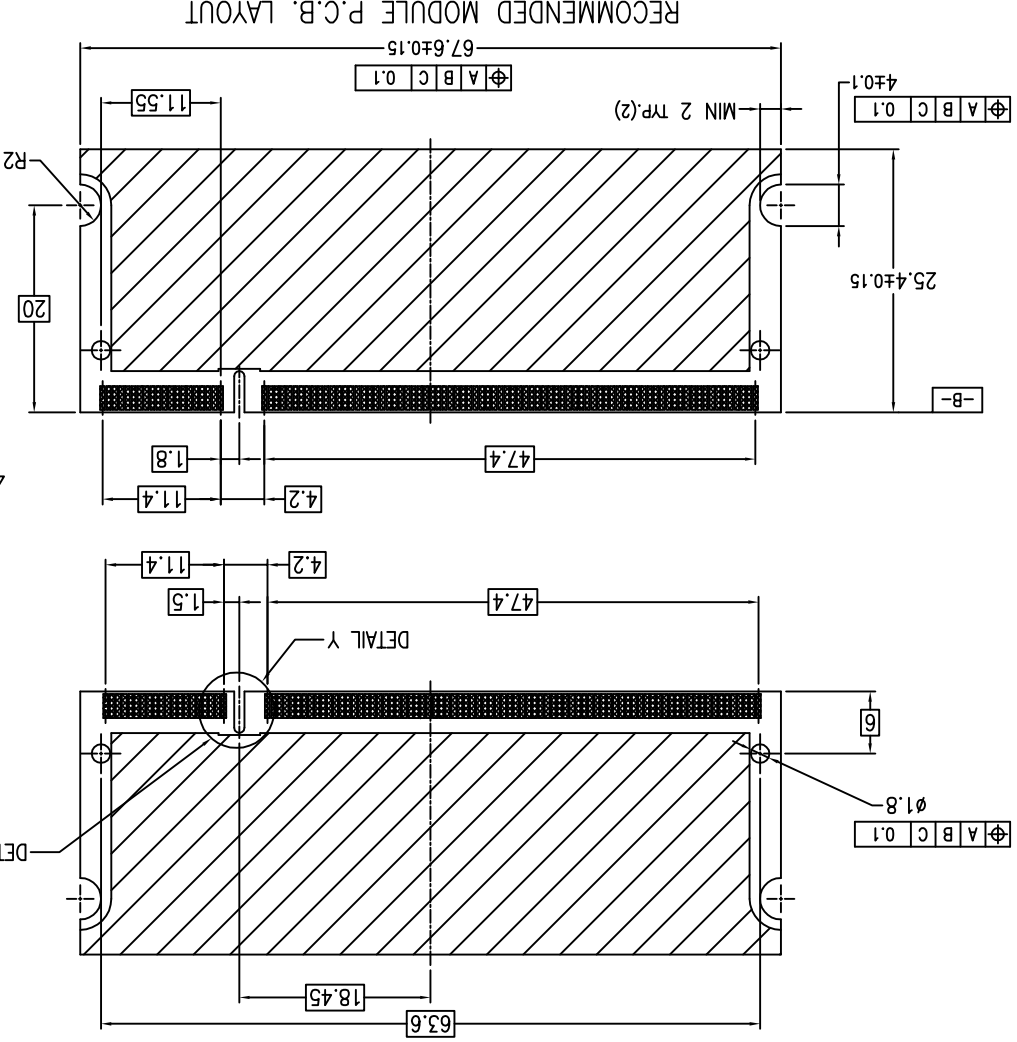
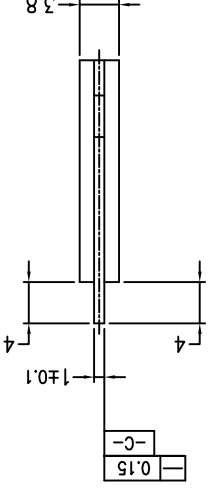
4

B

A



PRODUCT NO. ∇ 59354-x52xx



RECOMMENDED MODULE P.C.B. LAYOUT

mat'l. code		tolerances unless otherwise specified		linear		angles		dr		engr		chr		appd		sheet revision	
itr ecn no		.X ± 0.30		.XX ± 0.30		0° ± 2'		M.Hasegawa		11/10/03		11/10/03		scale		2:1	
date				projection		MM		product family		SOUF SO-DIMM		59354		size dwg no		59354	
dr				title		DDR SO-DIMM 0.6 mm PITCH 200 POS. STANDARD TYPE ASS'Y		product family		SOUF SO-DIMM		59354		code		JP	
ecn no				www.fciconnect.com		FCI		code		JP		sheet		3 of		B	

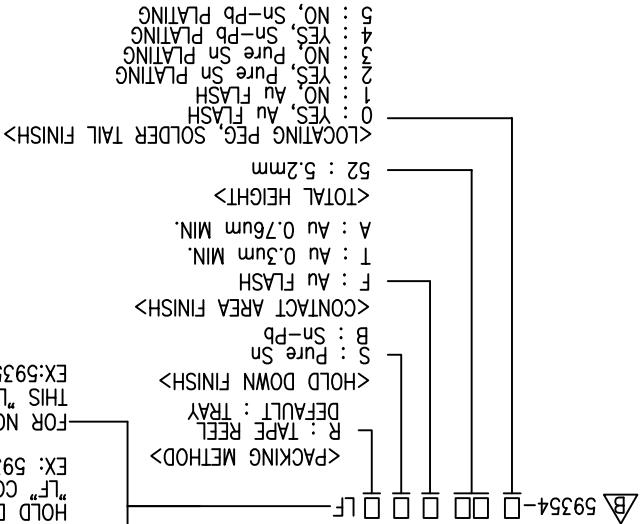
ACAD 1 2 3 4

1 2 3 4



PRODUCT NO.	LOCATING PEG	TERMINAL CONTACT AREA FINISH	HOLD DOWN FINISH	SOLDER TAIL FINISH
59354-052FS	YES	Au FLASH	Pure Sn PLATING	Au FLASH
59354-052TS	YES	Au 0.3µm MIN.		
59354-052AS	YES	Au 0.76µm MIN.		
59354-152AS	NO	Au 0.76µm MIN.	Pure Sn PLATING	Au FLASH
59354-152TS	NO	Au 0.3µm MIN.		
59354-152FC	NO	Au FLASH		
59354-052FC	YES	Au FLASH	Sn-Cu PLATING	Au FLASH
59354-052TC	YES	Au 0.3µm MIN.		
59354-152AC	YES	Au 0.76µm MIN.		
59354-352FS	YES	Au FLASH	Pure Sn PLATING	Au FLASH
59354-252FS	YES	Au 0.3µm MIN.		
59354-352TS	NO	Au 0.76µm MIN.		
59354-252AS	YES	Au 0.3µm MIN.	Pure Sn PLATING	Au FLASH
59354-352AS	NO	Au 0.76µm MIN.		
59354-252FC	YES	Au FLASH		
59354-252TC	YES	Au 0.3µm MIN.	Sn-Cu PLATING	Au FLASH
59354-352TC	NO	Au 0.3µm MIN.		
59354-352AC	NO	Au 0.76µm MIN.		

PRODUCT NO.	LOCATING PEG	TERMINAL CONTACT AREA FINISH	HOLD DOWN FINISH	SOLDER TAIL FINISH
59354-452FS	YES	Au FLASH	Pure Sn PLATING	Au FLASH
59354-452TS	YES	Au 0.3µm MIN.		
59354-452AS	YES	Au 0.76µm MIN.		
59354-552AS	NO	Au 0.76µm MIN.	Sn-Pb PLATING	Au FLASH
59354-452AS	YES	Au 0.76µm MIN.		
59354-552FC	NO	Au FLASH		
59354-452FC	YES	Au FLASH	Sn-Cu PLATING	Au FLASH
59354-452TC	YES	Au 0.3µm MIN.		
59354-552AC	NO	Au 0.76µm MIN.		



For Rohs OPTIONS:
TAIL PLATING CODE MUST BE 0~3.
"LF" CODE IS EXIST IN THE END.
EX: 59354-252TSLF
FOR NOT Rohs COMPATIBLE:
THIS "LF" CODE IS "BLANK".
EX: 59354-452TS

mat'l. code	itr	ecn no	dr	date	linear	angles	dr	engr	M.Hasegawa	4/6/04	scale	2:1	B	59354	sheet	revision	sheet	index	
tolerances unless otherwise specified	.X ± 0.30				.XX ± 0.30	0 ± 2'			M.Hasegawa	4/6/04	MM			product family	SOUF SO-DIMM	code	JP		
CUSTOMER COPY	projection	title	DDR SO-DIMM 0.6 mm PITCH 200 POS. STANDARD TYPE ASSY	www.fciconnect.com										size	dwg no	code	JP		

X-ON Electronics

Largest Supplier of Electrical and Electronic Components

Click to view similar products for [DIMM Connectors](#) category:

Click to view products by [Amphenol](#) manufacturer:

Other Similar products are found below :

[1-1932649-2](#) [1-1761024-0](#) [2309411-5](#) [296409204002856+](#) [1932180-2](#) [0783590111](#) [0783590001](#) [0877051053](#) [10079248-11103LF](#)
[10086891-052TSLF](#) [10116658-252ASLF](#) [59355-052FSLF](#) [5390471-1](#) [10074146-13211LF](#) [10079248-10202LF](#) [2309407-3](#) [2309413-3](#)
[10033853-052ASLF](#) [87782-6003](#) [10033854-052ASLF](#) [KIT-SODIMM-1X16GB/01](#) [10129206-0010013LF](#) [2309409-2](#) [0780350001](#)
[0780350301](#) [0783150011](#) [0878030012](#) [75.963AT.G020C](#) [78.B1GDE.AF1](#) [10078239-11103LF](#) [6-390322-1](#) [2013311-1](#) [2309410-1](#)
[10116658-052FSLF](#) [10116658-152FSLF](#) [1-1735438-3](#) [1-1735413-1](#) [78730-1002](#) [78726-1002](#) [2013310-1](#) [390111-1](#) [1735438-3](#) [78373-0011](#)
[2308107-1](#) [2-2308107-1](#) [2309411-1](#) [2309408-1](#) [2309409-1](#) [2309412-1](#) [151134-0001](#)