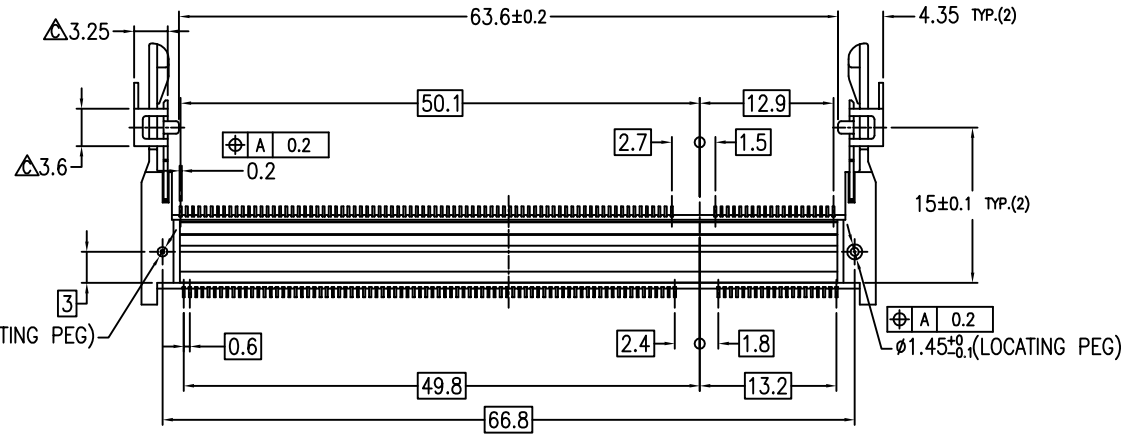
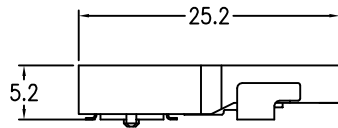
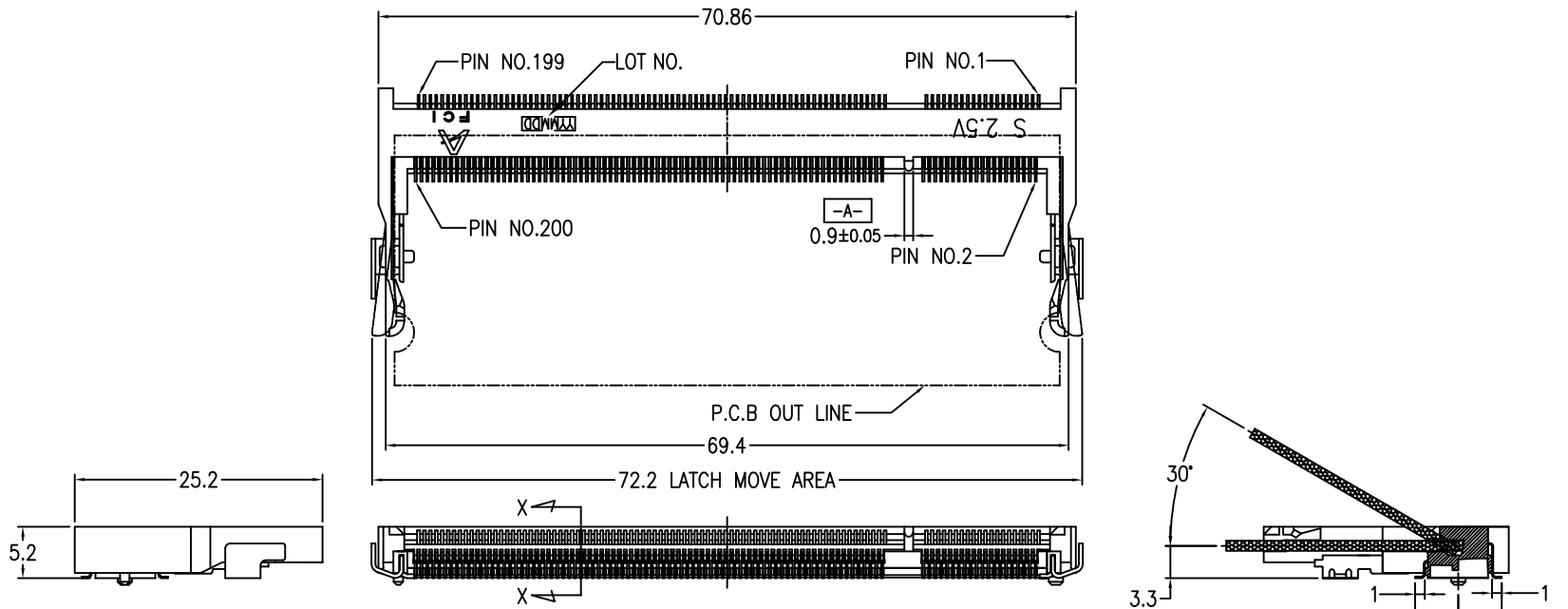


PRODUCT NO.

SEE SHEET 4



- NOTE
1. PRODUCT SPEC. : GS-12-195
 2. PACKAGING SPEC. : GS-14-786
 3. MATERIAL
 - 1) HOUSING : LCP, UL94V-0, COLOR BLACK
 - 2) CONTACT : COPPER ALLOY
 - 3) HOLD DOWN : BRASS
 4. FINISH
 - 1) TERMINAL : SEE TABLE
 - 2) HOLD DOWN : SEE TABLE
 5. CO-PLANARITY : 0.1 MAX.(INCLUDE HOLD DOWN)
 6. THIS PRODUCT MEETS EUROPEAN UNION DIRECTIVES AND OTHER COUNTRY REGULATIONS AS DESCRIBED IN GS-22-008.
 7. THE HOUSING WILL WITHSTAND EXPOSURE TO 260° PEAK TEMPERATURE FOR 10 SECONDS IN A REFLOW SOLDER APPLICATION.

mat'l. code				tolerances unless otherwise specified				CUSTOMER COPY	FCI www.fciconnect.com
ltr	ecn no	dr	date		.X ± 0.30				
G	J04-0132	M.H	04/06/04'	linear	.XX ± 0.30				
H	T05-0022	R.C	01/27/05'					title DDR SO-DIMM 0.6 mm PITCH 200 POS. STANDARD TYPE ASS'Y	
J	T05-0026	R.C	02/04/05'	angles	0° ±2'				
K	PG05-0388	K.W	10/13/05'	dr	M.Hasegawa	4/8/04		product family 50UF SO-DIMM	
L	PG08-0333	B.L	12/01/08'	enr	M.Hasegawa	4/6/04			code JP
				chr				size B 59354	
				appd					sheet 1 of 4
sheet index	revision sheet	L	L	L	L				
		1	2	3	4				

Tous droits strictement reserves. Reproduction ou communication a des tiers interdite sous quelque forme que ce soit sans autorisation ecrite du propriétaire. Propriete de c FCI. Droits de reproduction FCI.



All rights strictly reserved. Reproduction or issue to third parties in any form whatever is not permitted without written authority from the proprietor. Property of FCI. Copyright FCI.

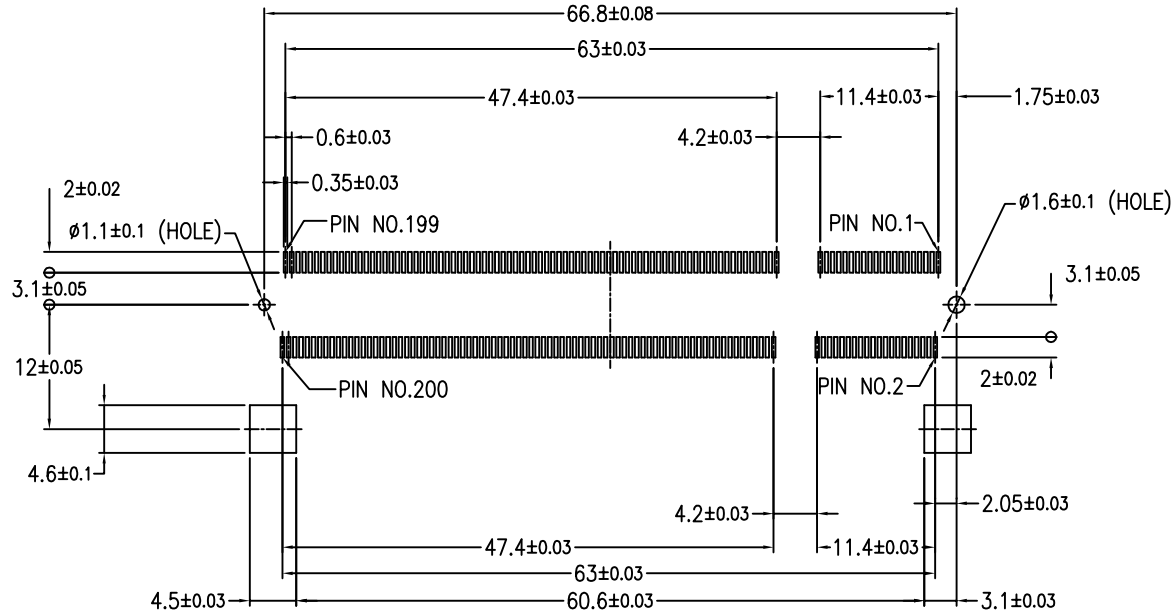
PRODUCT NO.

59354-x52xx

Tous droits strictement reserves. Reproduction ou communication a des tiers interdite sous quelque forme que ce soit sans autorisation ecrite du proprietaire. Propriete de c FCI. Droits de reproduction FCI.



All rights strictly reserved. Reproduction or issue to third parties in any form whatever is not permitted without written authority from the proprietor. Property of FCI. Copyright FCI.



RECOMMENDED MOUNTING P.C.B LAYOUT

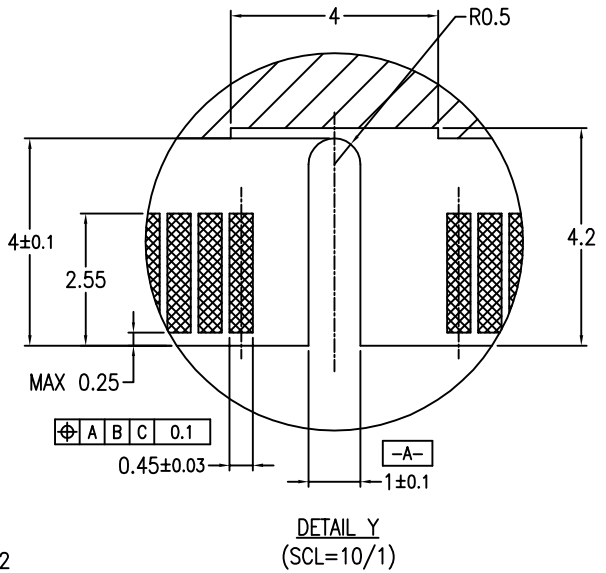
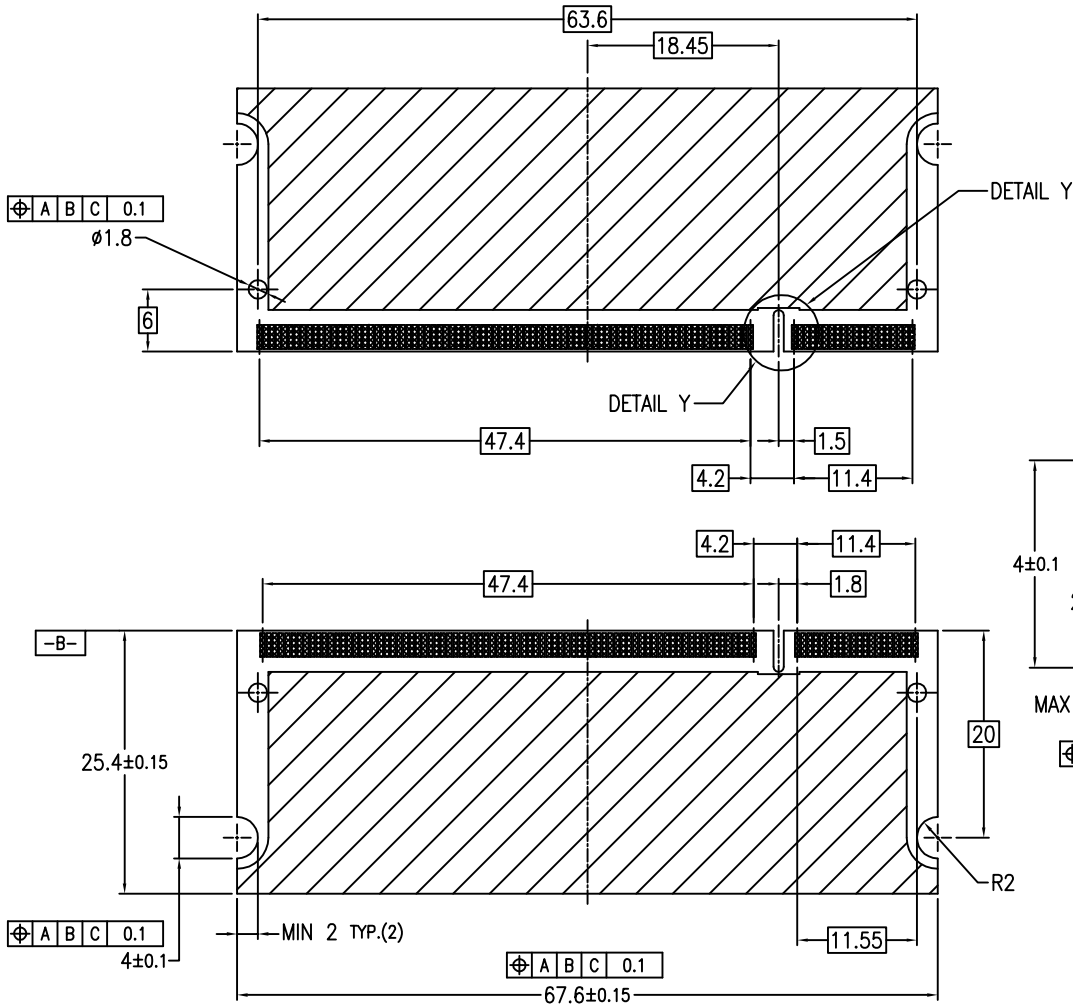
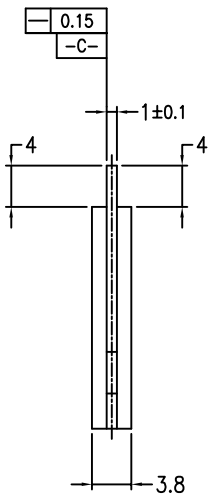
mat'l. code				tolerances unless otherwise specified			CUSTOMER COPY	 www.fciconnect.com
ltr	ecn no	dr	date	linear	.X ± 0.30	projection		
L				angles	.XX ± 0.30		title	
				dr	0° ±2'		DDR SO-DIMM 0.6 mm PITCH 200 POS. STANDARD TYPE ASS'Y	
				enr	M.Hasegawa 11/10/03	MM	product family	
				chr	M.Hasegawa 11/10/03	scale	50UF SO-DIMM	
				appd		2:1	code	
sheet index	revision sheet						size	
							59354	
							JP	
							sheet	
							2 of	

Tous droits strictement réservés. Reproduction ou communication à des tiers interdite sous quelque forme que ce soit sans autorisation écrite du propriétaire. Propriété de c FCI. Droits de reproduction FCI.



All rights strictly reserved. Reproduction or issue to third parties in any form whatever is not permitted without written authority from the proprietor. Property of FCI. Copyright FCI.

PRODUCT NO.
59354-x52xx



RECOMMENDED MODULE P.C.B. LAYOUT

mat'l. code				tolerances unless otherwise specified		CUSTOMER COPY	 www.fciconnect.com
ltr	ecn no	dr	date	linear	.X ± 0.30		
L				angles	.XX ± 0.30		product family 50UF SO-DIMM size dwg no
				dr	0° ±2'	MM	
				enr	M.Hasegawa 11/10/03	scale	B 59354
				chr	M.Hasegawa 11/10/03	2:1	
				appd			
sheet index	revision sheet						

Tous droits strictement reserves. Reproduction ou communication a des tiers interdite sous quelque forme que ce soit sans autorisation ecrite du proprietaire. Propriete de c FCI. Droits de reproduction FCI.



All rights strictly reserved. Reproduction or issue to third parties in any form whatever is not permitted without written authority from the proprietor. Property of FCI. Copyright FCI.

PRODUCT NO.	LOCATING PEG	TERMINAL CONTACT AREA FINISH	HOLD DOWN FINISH	SOLDER TAIL FINISH								
59354-052FS	YES	Au FLASH	Pure Sn PLATING	Au FLASH PLATING								
59354-152FS	NO											
59354-052TS	YES	Au 0.3µm MIN.			Sn-Cu PLATING	Au FLASH PLATING						
59354-152TS	NO											
59354-052AS	YES	Au 0.76µm MIN.					Pure Sn PLATING	Au FLASH PLATING				
59354-152AS	NO											
59354-052FC	YES	Au FLASH							Sn-Cu PLATING	Au FLASH PLATING		
59354-152FC	NO											
59354-052TC	YES	Au 0.3µm MIN.									Pure Sn PLATING	Au FLASH PLATING
59354-152TC	NO											
59354-052AC	YES	Au 0.76µm MIN.	Sn-Cu PLATING	Au FLASH PLATING								
59354-152AC	NO											
59354-252FS	YES	Au FLASH			Pure Sn PLATING	Au FLASH PLATING						
59354-352FS	NO											
59354-252TS	YES	Au 0.3µm MIN.					Sn-Cu PLATING	Au FLASH PLATING				
59354-352TS	NO											
59354-252AS	YES	Au 0.76µm MIN.							Pure Sn PLATING	Au FLASH PLATING		
59354-352AS	NO											
59354-252FC	YES	Au FLASH									Sn-Cu PLATING	Au FLASH PLATING
59354-352FC	NO											
59354-252TC	YES	Au 0.3µm MIN.	Pure Sn PLATING	Au FLASH PLATING								
59354-352TC	NO											
59354-252AC	YES	Au 0.76µm MIN.			Sn-Cu PLATING	Au FLASH PLATING						
59354-352AC	NO											

PRODUCT NO.	LOCATING PEG	TERMINAL CONTACT AREA FINISH	HOLD DOWN FINISH	SOLDER TAIL FINISH								
59354-452FS	YES	Au FLASH	Pure Sn PLATING	Sn-Pb PLATING								
59354-552FS	NO											
59354-452TS	YES	Au 0.3µm MIN.			Sn-Cu PLATING	Sn-Pb PLATING						
59354-552TS	NO											
59354-452AS	YES	Au 0.76µm MIN.					Pure Sn PLATING	Sn-Pb PLATING				
59354-552AS	NO											
59354-452FC	YES	Au FLASH							Sn-Cu PLATING	Sn-Pb PLATING		
59354-552FC	NO											
59354-452TC	YES	Au 0.3µm MIN.									Pure Sn PLATING	Sn-Pb PLATING
59354-552TC	NO											
59354-452AC	YES	Au 0.76µm MIN.	Sn-Cu PLATING	Sn-Pb PLATING								
59354-552AC	NO											

△ 59354-□□□□□ LF

<PACKING METHOD>
R : TAPE REEL
DEFAULT : TRAY
<HOLD DOWN FINISH>
S : Pure Sn
B : Sn-Pb
<CONTACT AREA FINISH>
F : Au FLASH
T : Au 0.3µm MIN.
A : Au 0.76µm MIN.
<TOTAL HEIGHT>
52 : 5.2mm
<LOCATING PEG, SOLDER TAIL FINISH>
0 : YES, Au FLASH
1 : NO, Au FLASH
2 : YES, Pure Sn PLATING
3 : NO, Pure Sn PLATING
4 : YES, Sn-Pb PLATING
5 : NO, Sn-Pb PLATING

For Rohs OPTIONS:
TAIL PLATING CODE MUST BE 0~3.
HOLD DOWN PLATING CODE MUST BE "S".
"LF" CODE IS EXIST IN THE END.
EX: 59354-252TSLF
FOR NOT Rohs COMPATIBLE:
THIS "LF" CODE IS "BLANK".
EX:59354-452TS

mat'l. code				tolerances unless otherwise specified			CUSTOMER COPY		FCI	
ltr	ecn no	dr	date	linear	.X ± 0.30		projection	www.fciconnect.com		
L					.XX ± 0.30			title		
				angles	0° ±2'		MM	DDR SO-DIMM 0.6 mm PITCH 200 POS. STANDARD TYPE ASS'Y		
				dr	M.Hasegawa	4/6/04		scale	product family 50UF SO-DIMM	
				enr	M.Hasegawa	4/6/04	2:1		size dwg no	
				chr				B	59354	
				appd			4 of			
sheet index	revision sheet									

X-ON Electronics

Largest Supplier of Electrical and Electronic Components

Click to view similar products for [DIMM Connectors](#) category:

Click to view products by [Amphenol](#) manufacturer:

Other Similar products are found below :

[1-1932649-2](#) [1-1761024-0](#) [2309411-5](#) [10116658-252ASLF](#) [5390471-1](#) [2309413-3](#) [78507-0061](#) [KIT-SODIMM-1X16GB/01](#) [10129206-0010013LF](#) [10086891-052TSLF](#) [10079192-11102LF](#) [10116658-152FSLF](#) [10129206-0011113LF](#) [1-2308107-0](#) [2013310-1](#) [2013289-1](#) [390111-1](#) [390112-1](#) [2309413-1](#) [2309407-1](#) [2309414-1](#) [10081530-12208LF](#) [151080-0001](#) [78726-1004](#) [10005639-11107LF](#) [10005639-11109LF](#) [10005639-12207LF](#) [10023061-10207LF](#) [10033853-252FSLF](#) [10033853-052ASLF](#) [10033853-052FSLF](#) [10033853-152FSLF](#) [10033854-052FSLF](#) [10034542-10002LF](#) [10037402-12207LF](#) [10081530-11107LF](#) [10081530-12207LF](#) [10081530-12218LF](#) [10124632-0030001LF](#) [10124806-01006LF](#) [10145891-0320J13LF](#) [10145226-0241N13LF](#) [59354-052FSLF](#) [59355-052FSLF](#) [DDR4288S0211TF](#) [DDR4288S0511H](#) [DDR4288S0511TF](#) [DDR4288V0123TF](#) [DDR4288V0213TF](#) [DDR502112001K](#)