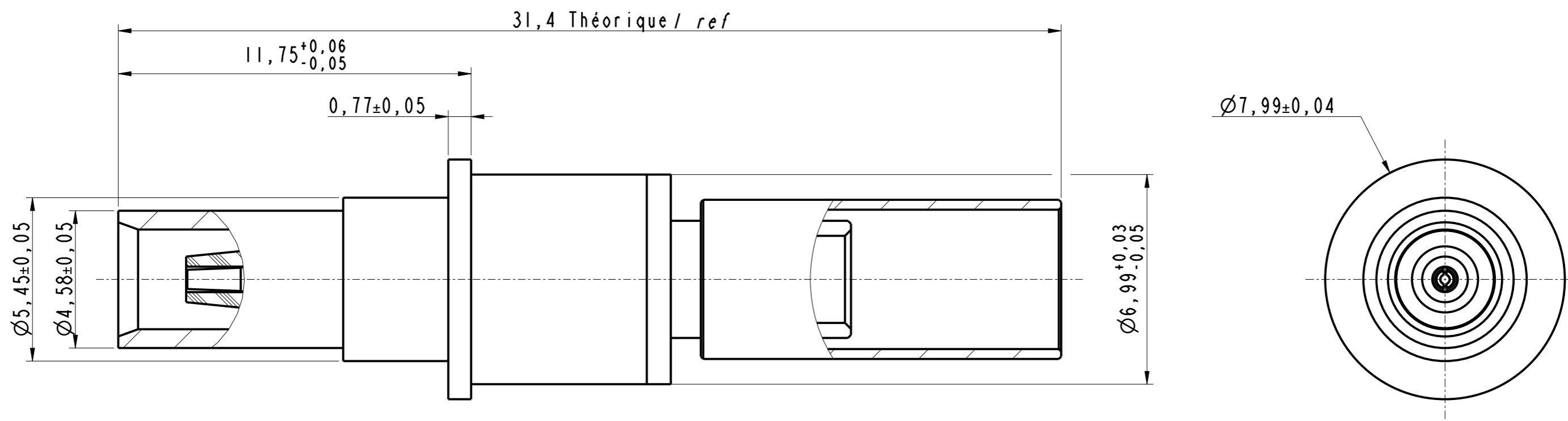


IN THE CONSTANT PURPOSE OF IMPROVING ITS PRODUCTS, AMPHENOL SOCAPEX RESERVES THE RIGHT TO MODIFY ANY DIMENSION OR CHARACTERISTICS.  
FM.NPD.0036.THYZE.PUNE rev C



**Note**

- ①- Contact livré non assemblé  
*Contact delivered unassembled*
- ②- Cable compatible: Belden 1855A  
*Cable compatible: Belden 1855A*
- ③- Outil de sertissage:  
Contact intérieur M22520/2-01 avec positionneur M22520/2-35(5)  
Contact extérieur M22520/5-01 avec positionneur M22520/5-05B
- ④- Crimping tool:  
*Inner contact M22520/2-01 with positioner M22520/2-35(5)*  
*Outer contact M22520/5-01 with positioner M22520/5-05B*
- ⑤- Matières:  
- Contact extérieur: inox  
- Contact intérieur: alliage de cuivre  
- Fut de sertissage et ferrule: laiton  
- Isolants: PTFE ou équivalent  
*Material:*  
- *Outer contact: Stainless steel*  
- *Inner contact: copper alloy*  
- *Crimping barrel and ferrule: brass*  
- *Inserts: PTFE or equivalent*
- ⑥- Traitements:  
- Contact extérieur: passivation  
- Contact intérieur, fut de sertissage et ferrule: dorure  
*Finish:*  
- *Outer contact: passivation*  
- *Inner contact, crimping barrel and ferrule: Gold*

<b>Broche coax T8 75 ohms 6G-SDI</b> <b>Pin coax T8 75 ohms 6G-SDI</b> <b>Ref: 612356</b>			
DRAWN BY : M.PRUD'HOM	UPDATED BY: M.LAINE	LAST APPROVED BY: L.LAGRANGE	
ALL DIMENSIONS ARE IN MM	<b>AMPHENOL SOCAPEX</b>		ORIGINAL DRAWING DATE : 30/10/20
SCALE : 7	B.P. 29 74311 THYZE CEDEX		CONFIGURATION DATA ARE AVAILABLE IN PDM
		REV : B	PAGE : 1/1
<b>172-PLC-252-00</b>			

## X-ON Electronics

Largest Supplier of Electrical and Electronic Components

*Click to view similar products for [RF Connectors / Coaxial Connectors](#) category:*

*Click to view products by [Amphenol](#) manufacturer:*

Other Similar products are found below :

[8915-1511-000](#) [89674-0827](#) [6001-7071-019](#) [6002-7051-003](#) [6002-7551-202](#) [6059674-1](#) [619550-1](#) [630059-000](#) [M39030/3-01N](#) [6500-7071-046](#) [6769](#) [CX050L2AQ](#) [7002-1541-010](#) [7002-1542-011](#) [7002-1572-002](#) [7003-1542-011](#) [7004-1512-000](#) [7009-1511-004](#) [7010-1511-000](#) [7029-1511-060](#) [7101-1541-010](#) [7101-1571-002](#) [7145-1521-002](#) [7203-1571-003](#) [7209-1511-011](#) [7210-1511-015](#) [7210-1511-019](#) [73137-5015](#) [73216-2241](#) [73404-2300](#) [7405-1521-005](#) [7405-1521-802](#) [8527](#) [8547](#) [FS11V](#) [9049-9513-000](#) [9074-9513-000](#) [9101-9573-002](#) [910A205F](#) [9130-9573-002](#) [PL11SC-026](#) [PL375-33](#) [PL40-5](#) [PL74C-221](#) [PL75MC-217](#) [PL803-7](#) [980-8666-005](#) [1200690078](#) [1-201144-1](#) [R107003010W](#)