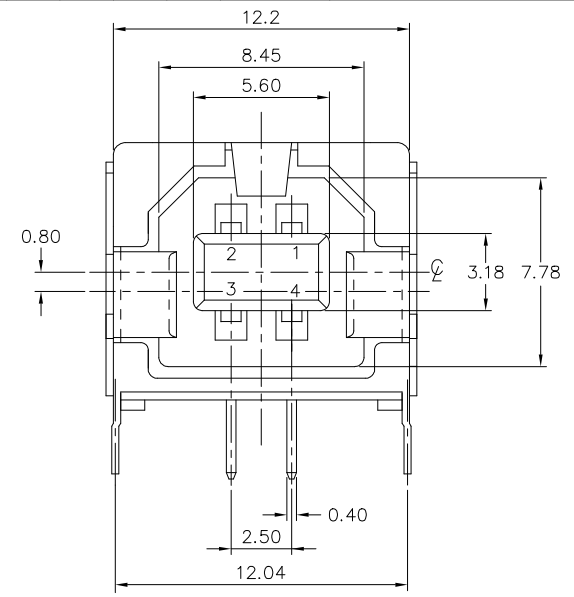
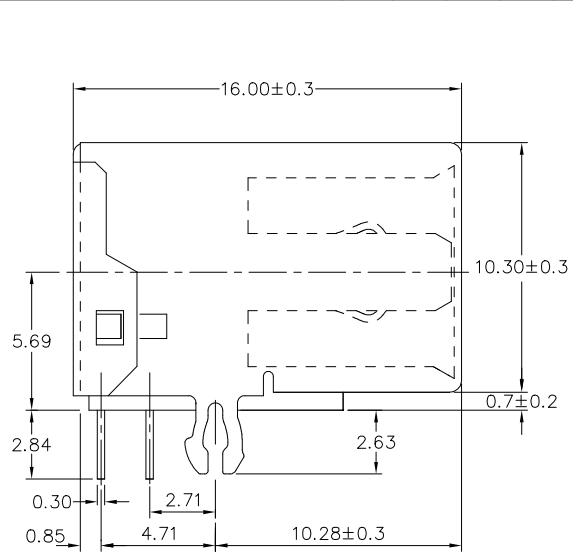
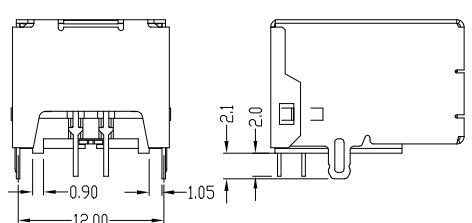
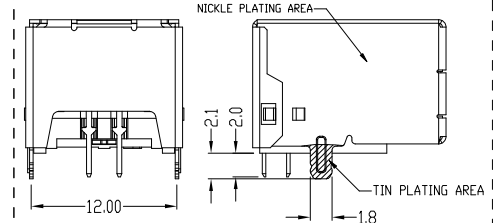
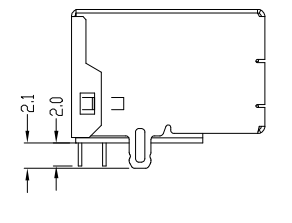
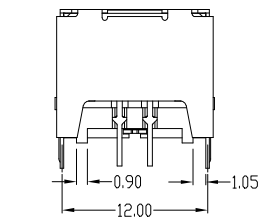


PRODUCT NO.
61729-*



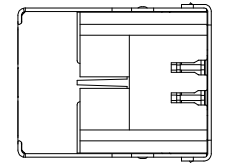
Amphenol FCI



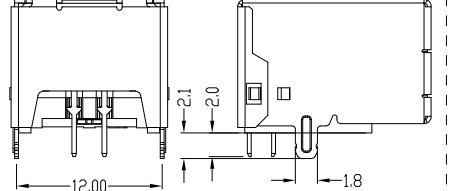
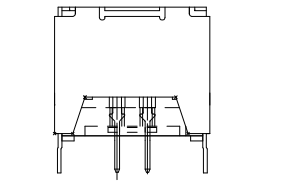
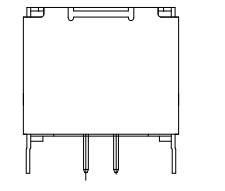
TYPE "4" PARTIAL BACK WITH SHORT SOLDER TAIL, SHELL TAIL AND SPECIAL HOUSING FOR PIP PROCESS 61729-XXWXLF

TYPE "5" PARTIAL BACK WITH SHORT SOLDER TAIL, SHORT SHELL TAIL AND SELECTED MATTE TIN SHELL FOR PIP PROCESS 61729-XXTXLF

TYPE "6" PARTIAL BACK WITH SHORT SOLDER TAIL, SHORT SHELL TAIL, SPECIAL HOUSING, AND FULL MATTE TIN SHELL FOR PIP PROCESS 61729-XXVXLF



© 2016 AFCI



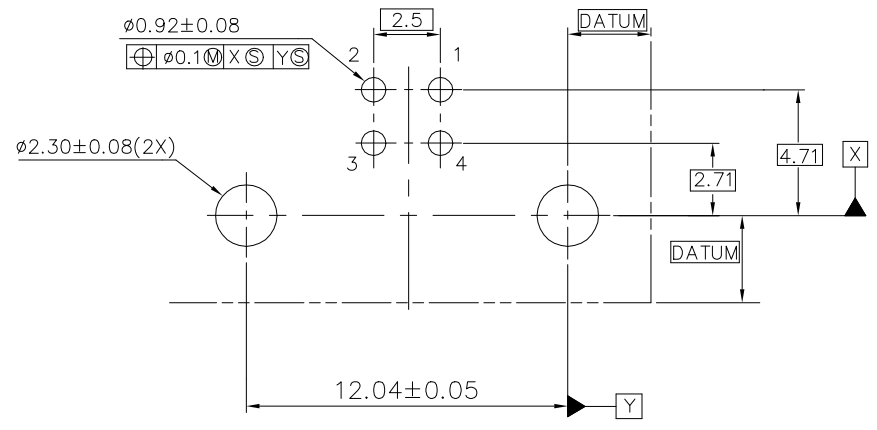
TYPE "1" FULL BACK

TYPE "2" PARTIAL BACK

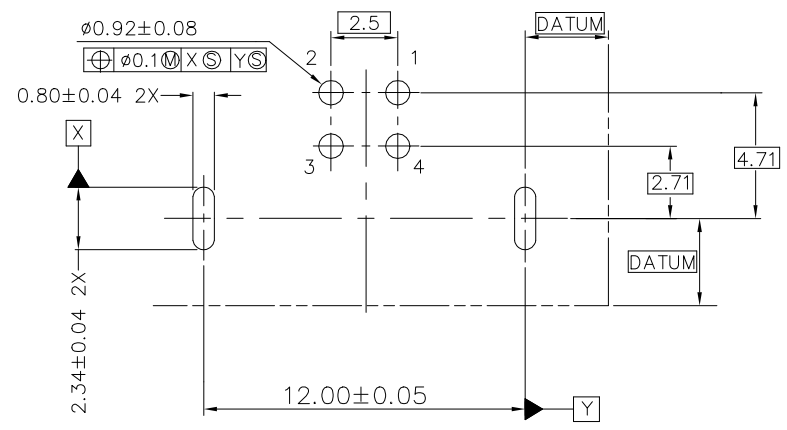
TYPE "3" PARTIAL BACK WITH SHORT SOLDER TAIL AND SHELL TAIL FOR PIP PROCESS 61729-XXQXLF

mat'l. code		surface ISO 1302 ✓		tolerance ISO 406 ISO 1101		projection		product family	
ltr ecn no dr date		tolerances unless otherwise specified		angles linear		mm		HPL 511 USB2.0	
AA	ELX-N-34768-1	YY	09/19/19		0.0±0.30			title	
AB	ELX-N-37746-1	YY	03/09/21		0.00±0.20			USB RECEPTACLE B TYPE	
AC	ELX-N-40307-1	YY	03/09/21	0±2'	0.000±0.10		scale 1:1	dwg no	
W	EGR-N-16533	LQ	12/17/13	eng	Yuan-Yuan Bao	03/09/21		sheet 1 of 3	
X	ELX-N-29556	LZ	03/09/18	chr	Li-Qing Lei	03/09/21		size	
Y	ELX-N-32780	YY	02/26/19	appd	Tim.Yao	03/09/21		A3	
sheet index		revision sheet						type Product Customer Drawing	





P.C. BOARD LAYOUT
 STYLE 1 APPLY FOR TYPE 1 & 2



P.C. BOARD LAYOUT
 STYLE 2 APPLY FOR TYPE 3

NOTES:

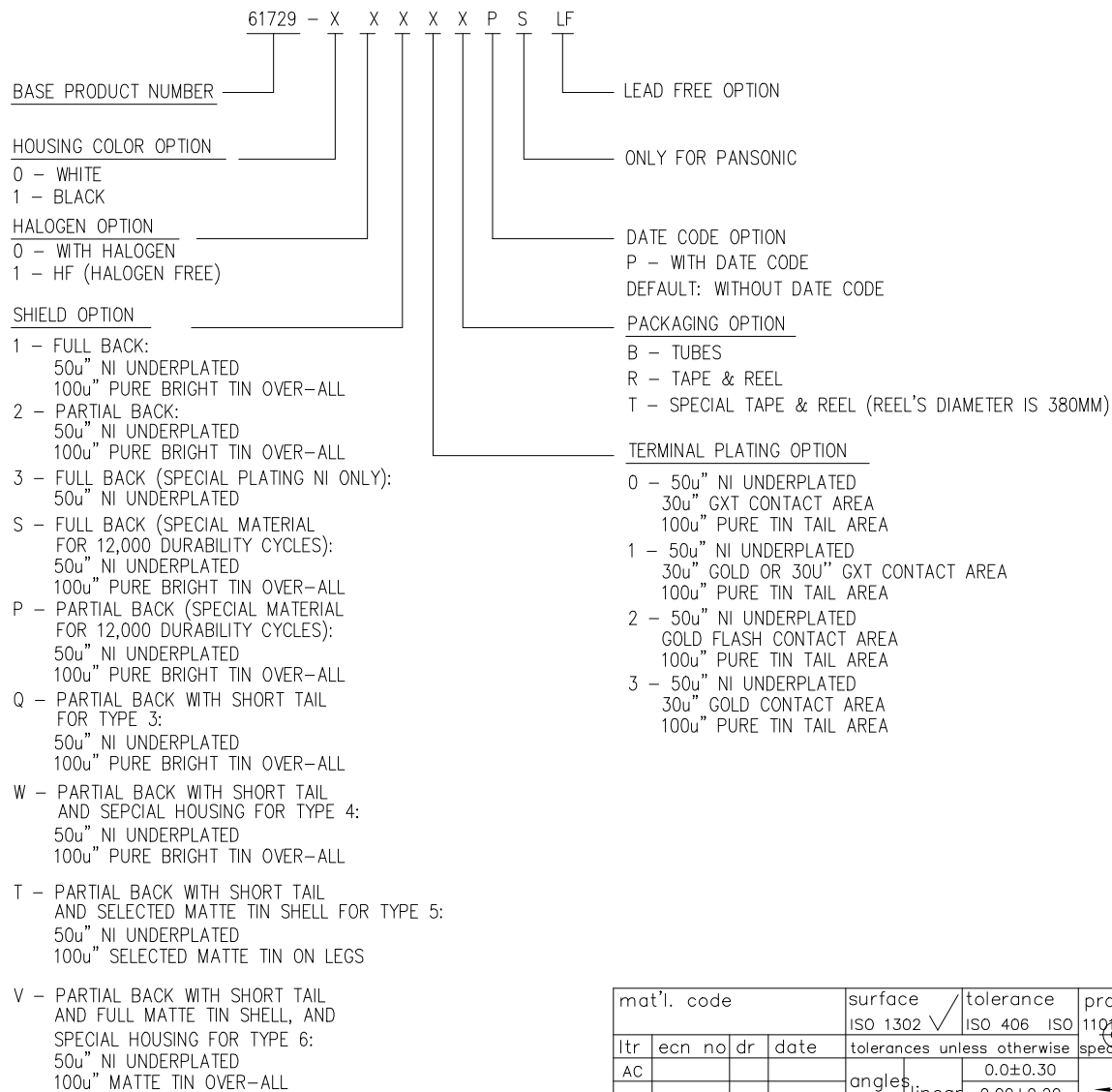
1. MATERIAL:
 SHIELD & CONTACTS: COPPER ALLOY
 HOUSING: UL 94V-0 ,HIGH TEMPERATURE THERMOPLASTIC.
 COLOR: SEE PRODUCT NUMBER CODE.
2. PLATING: SEE PRODUCT NUMBER CODE.
 SHIELD: BRIGHT TIN, NICKEL UNDERPLATE(USED FOR WAVE SOLDER PROCESS),
 PLATING NICKEL ONLY(USED FOR PIP PROCESS).
3. DATUMS & BASIC DIMENSIONS TO BE DETERMINED BY CUSTOMER
4. RECOMMENDED BOARD THICKNESS IS 1.57 mm (.062)
5. PACKING STANDARD GS-14-920 WILL BE APPLIED FOR LEAD FREE P/N'S
6. FOR LEAD FREE P/N, THE PRODUCT MEET EUROPEAN UNION DIRECTIVES AND OTHER COUNTRY REGULATION AS DESCRIBED IN GS-22-008
7. FOR LEAD FREE P/N'S, THE HOUSING WILL WITHSTAND EXPOSURE TO 260°C PEAK TEMPERATURE FOR 10 SECONDS IN A CONVECTION, INFRO-RED OR VAPOR PHASE REFLOW OVEN.
8. THE PART CAN BE USED FOR PIP PROCESS.

Amphenol FCI

© 2016 AFCI

mat'l. code		surface ISO 1302 ✓	tolerance ISO 406 ISO 1101	projection 1101	product family HPL 511 USB2.0
ltr	ecn no	dr	date	tolerances unless otherwise specified	title
AC				0.0±0.30 0.00±0.20 0.000±0.10	USB RECEPTACLE B TYPE
				linear 0°±2'	mm scale 1:1
		dr	Yuan-Yuan Bao	03/09/21	Amphenol FCI dwg no 61729 sheet 2 of 3 size A3 type Product Customer Drawing
		eng	Yuan-Yuan Bao	03/09/21	
		chr	Li-Qing Lei	03/09/21	
		appd	Tim Yao	03/09/21	
sheet index	revision sheet				

PRODUCT NUMBER CODE:



© 2016 AFCI

mat'l. code		surface	tolerance	projection	product family
		ISO 1302 ✓	ISO 406 ISO 1101		HPL 511 USB2.0
ltr	ecn no	dr	date	tolerances unless otherwise specified	title
AC				0.0±0.30 0.00±0.20 0.000±0.10	USB RECEPTACLE B TYPE
				angles linear 0°±2'	mm
				dr Yuan-Yuan Bao 03/09/21	scale 1:1
				eng Yuan-Yuan Bao 03/09/21	Amphenol FCI
				chr Li-Qing Lei 03/09/21	dwg no 61729 sheet 3 of 3 size A3
				appd Tim.Yao 03/09/21	type Product Customer Drawing
sheet index	revision sheet				

X-ON Electronics

Largest Supplier of Electrical and Electronic Components

Click to view similar products for [USB Connectors](#) category:

Click to view products by [Amphenol](#) manufacturer:

Other Similar products are found below :

[950](#) [A-USB A-LP-SMT-C](#) [A-USB B-TOP-C](#) [MUSBD11135](#) [17-200721](#) [217450-1](#) [KMBVX-TH-5S-B30](#) [KUSBX-AS2N-W](#) [KUSBX-SMT2AP1S-W30](#) [935](#) [957](#) [30-498-6](#) [SK-60A-2](#) [1734082-1](#) [30-470](#) [30-489](#) [30-541](#) [MIKROE-1451](#) [USBFTVSCCG](#) [1-1734084-2](#) [10135326-001LF](#) [USB3FTV7APEG](#) [4198](#) [1310-1023-02](#) [690-024-633-031](#) [UB-20PMFP-LC7001](#) [17-200011](#) [UB-20AFMM-LL7A01](#) [1040870124](#) [CAP-WCCMLPB1](#) [2274475-3](#) [UB-20BMFA-SL8001](#) [UB-20BFM-SA7A02](#) [UB-20BFM-SA7A05](#) [914-614A2025S10200](#) [MUSBR-AHD2-M41-SK](#) [ZX40-B-5S-1500-STDA\(30\)](#) [GSB3116344HR](#) [USB3FTV2SAZNF459](#) [USBF21GSCC](#) [U221-041N-1WVS62-F5D](#) [HYCW153-USBD05-500B](#) [HYCW219-USBD05-075B](#) [HYCW148-USBD05-117B](#) [HYCW149-USBD05-740B](#) [HYCW204-USBD05-108B](#) [HYCW214-USBA04-113B](#) [HYCW213-USBA04-113B](#) [UB-20AMFM-SL7A01](#) [KMMX-BSMT35S-1-B30TR](#)