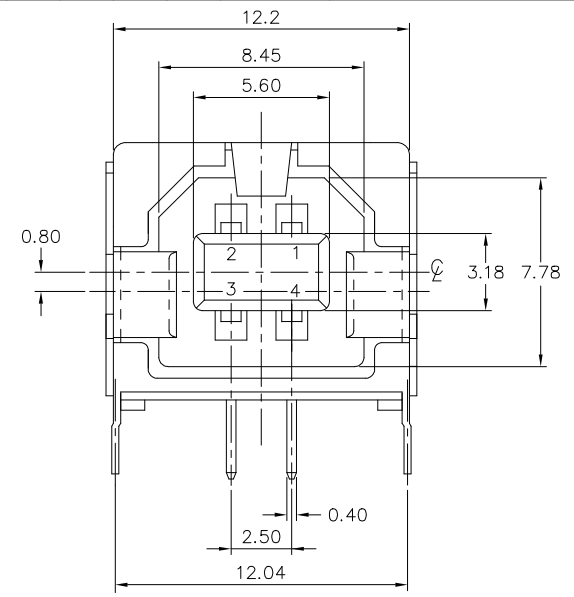
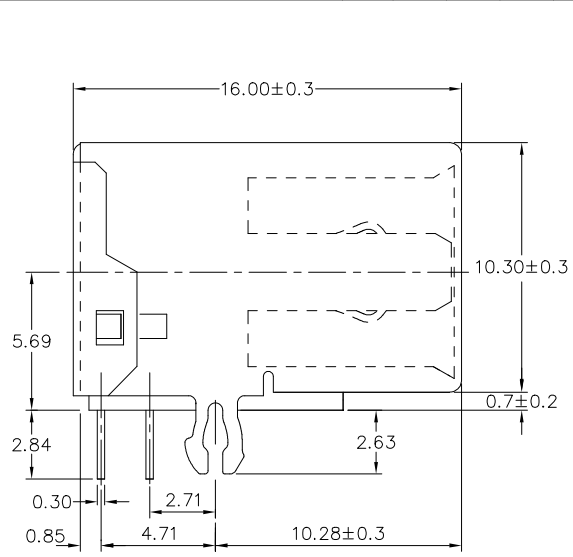
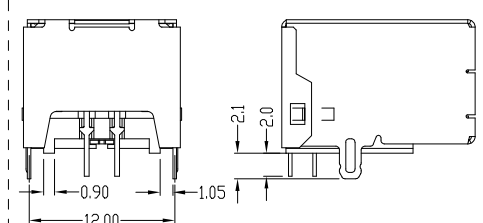
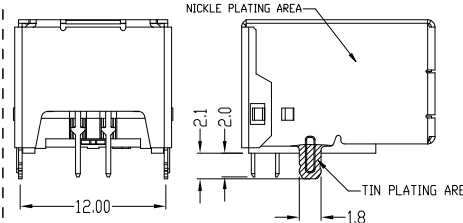
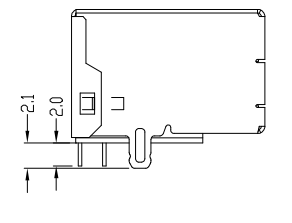
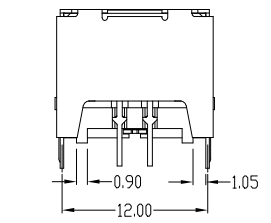


PRODUCT NO.
61729-*



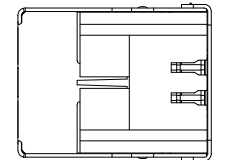
Amphenol FCI



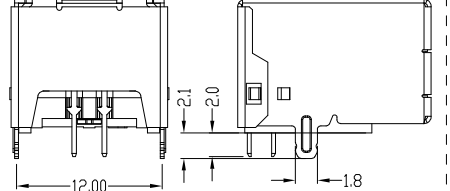
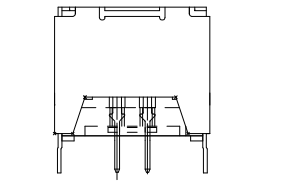
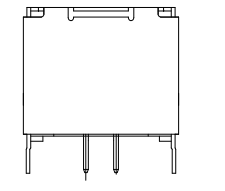
TYPE "4" PARTIAL BACK WITH SHORT SOLDER TAIL, SHELL TAIL AND SPECIAL HOUSING FOR PIP PROCESS 61729-XXWXLF

TYPE "5" PARTIAL BACK WITH SHORT SOLDER TAIL, SHORT SHELL TAIL AND SELECTED MATTE TIN SHELL FOR PIP PROCESS 61729-XXTXLF

TYPE "6" PARTIAL BACK WITH SHORT SOLDER TAIL, SHORT SHELL TAIL, SPECIAL HOUSING, AND FULL MATTE TIN SHELL FOR PIP PROCESS 61729-XXVXLF



© 2016 AFCI



TYPE "1" FULL BACK

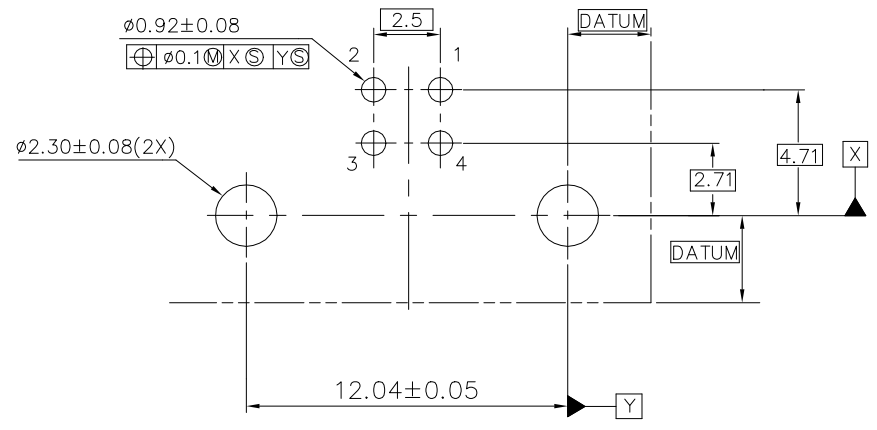
TYPE "2" PARTIAL BACK

TYPE "3" PARTIAL BACK WITH SHORT SOLDER TAIL AND SHELL TAIL FOR PIP PROCESS 61729-XXQXLF

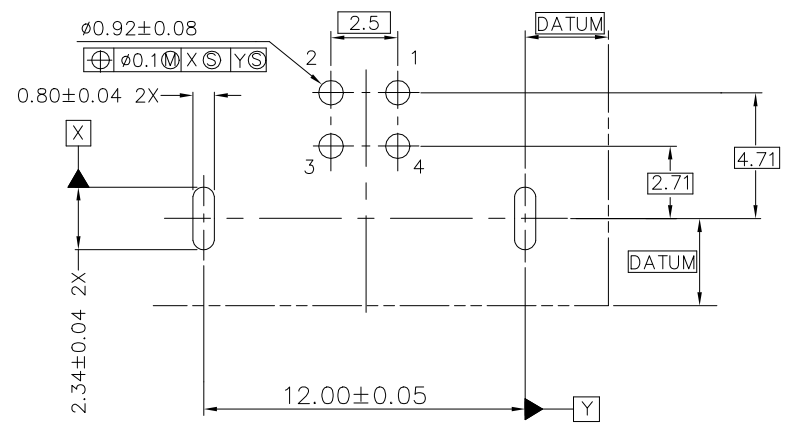
mat'l. code		surface	tolerance	projection	product family
ISO 1302 ✓		ISO 406	ISO 1101	HPL 511 USB2.0	
ltr	ecn no	dr	date	tolerances unless otherwise specified	title
AA	ELX-N-34768-1	YY	09/19/19	angles	USB RECEPTACLE B TYPE
AB	ELX-N-37746-1	YY	03/09/21	linear	
AC	ELX-N-40307-1	YY	03/09/21	0°±2'	
				0.0±0.30 0.00±0.20 0.000±0.10	
W	EGR-N-16533	LQ	12/17/13	eng	Yuan-Yuan Bao
X	ELX-N-29556	LZ	03/09/18	chr	Li-Qing Lei
Y	ELX-N-32780	YY	02/26/19	appd	Tim.Yao
sheet	revision				
index	sheet				

product family		HPL 511 USB2.0	
title		USB RECEPTACLE B TYPE	
dwg no	sheet 1 of 3	size	
61729		A3	
type Product Customer Drawing			





P.C. BOARD LAYOUT
 STYLE 1 APPLY FOR TYPE 1 & 2



P.C. BOARD LAYOUT
 STYLE 2 APPLY FOR TYPE 3

NOTES:

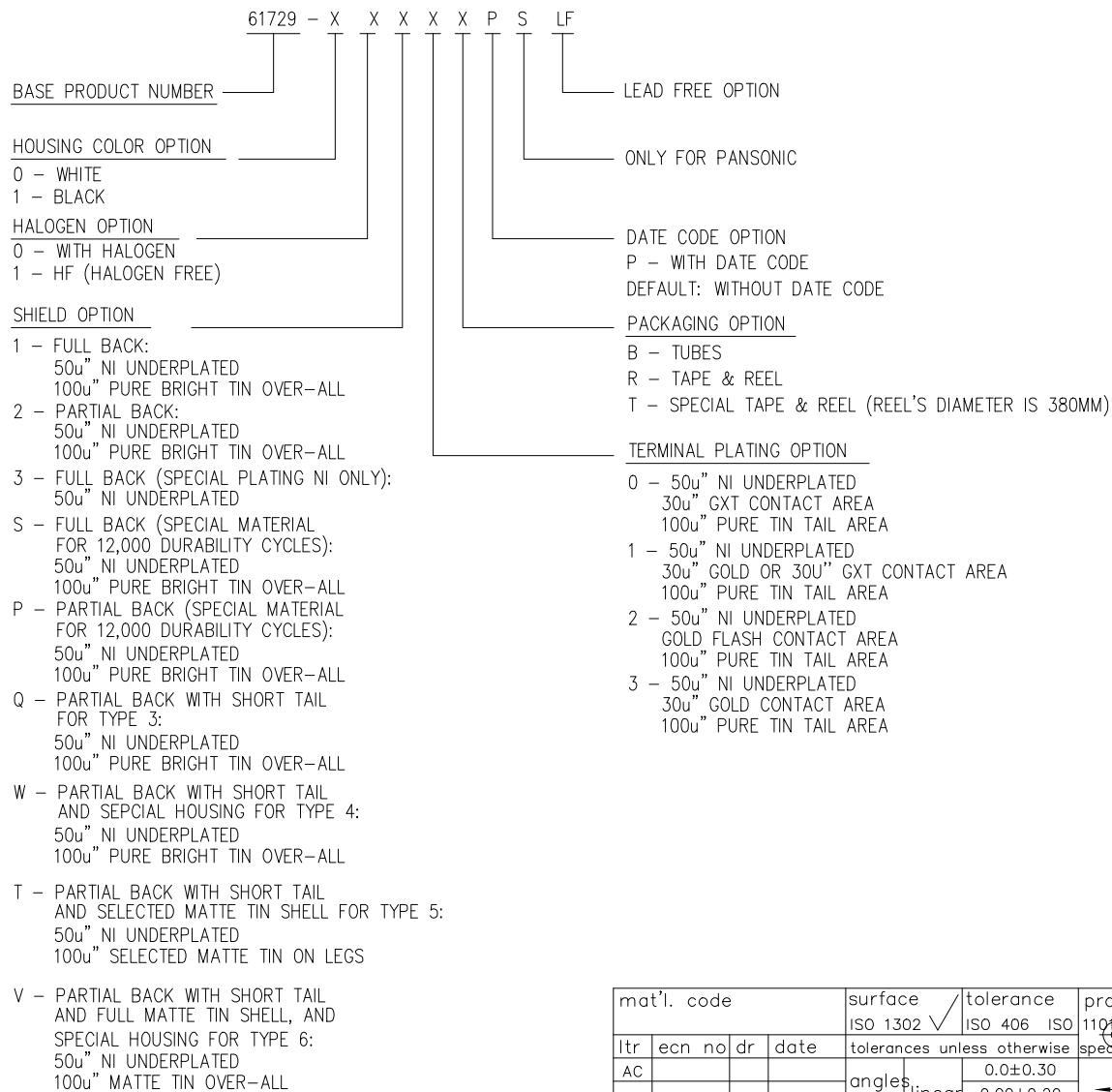
1. MATERIAL:
 SHIELD & CONTACTS: COPPER ALLOY
 HOUSING: UL 94V-0 ,HIGH TEMPERATURE THERMOPLASTIC.
 COLOR: SEE PRODUCT NUMBER CODE.
2. PLATING: SEE PRODUCT NUMBER CODE.
 SHIELD: BRIGHT TIN, NICKEL UNDERPLATE(USED FOR WAVE SOLDER PROCESS),
 PLATING NICKEL ONLY(USED FOR PIP PROCESS).
3. DATUMS & BASIC DIMENSIONS TO BE DETERMINED BY CUSTOMER
4. RECOMMENDED BOARD THICKNESS IS 1.57 mm (.062)
5. PACKING STANDARD GS-14-920 WILL BE APPLIED FOR LEAD FREE P/N'S
6. FOR LEAD FREE P/N, THE PRODUCT MEET EUROPEAN UNION DIRECTIVES AND OTHER COUNTRY REGULATION AS DESCRIBED IN GS-22-008
7. FOR LEAD FREE P/N'S, THE HOUSING WILL WITHSTAND EXPOSURE TO 260°C PEAK TEMPERATURE FOR 10 SECONDS IN A CONVECTION, INFRO-RED OR VAPOR PHASE REFLOW OVEN.
8. THE PART CAN BE USED FOR PIP PROCESS.



© 2016 AFCI

mat'l. code		surface ISO 1302 ✓	tolerance ISO 406 ISO 1101	projection 1101	product family HPL 511 USB2.0
ltr	ecn no	dr	date	tolerances unless otherwise specified	title
AC				0.0±0.30 0.00±0.20 0.000±0.10	USB RECEPTACLE B TYPE
				linear 0°±2'	mm scale 1:1
		dr	Yuan-Yuan Bao	03/09/21	
		eng	Yuan-Yuan Bao	03/09/21	
		chr	Li-Qing Lei	03/09/21	
		appd	Tim Yao	03/09/21	
sheet index	revision sheet				dwg no 61729 sheet 2 of 3 size A3 type Product Customer Drawing

PRODUCT NUMBER CODE:



© 2016 AFCI

mat'l. code		surface	tolerance	projection	product family
		ISO 1302 ✓	ISO 406 ISO 1101		HPL 511 USB2.0
ltr	ecn no	dr	date	tolerances unless otherwise specified	title
AC				0.0±0.30 0.00±0.20 0.000±0.10	USB RECEPTACLE B TYPE
				linear	mm
				0°±2'	scale 1:1
		dr	Yuan-Yuan Bao	03/09/21	Amphenol FCI dwg no 61729 sheet 3 of 3 size A3 type Product Customer Drawing
		eng	Yuan-Yuan Bao	03/09/21	
		chr	Li-Qing Lei	03/09/21	
		appd	Tim.Yao	03/09/21	
sheet index	revision sheet				

X-ON Electronics

Largest Supplier of Electrical and Electronic Components

Click to view similar products for [USB Connectors](#) category:

Click to view products by [Amphenol](#) manufacturer:

Other Similar products are found below :

[65-647-8-BK-BU](#) [950](#) [E8144-B01021-L](#) [A-USB A-LP-SMT-C](#) [A-USB B-TOP-C](#) [MUSBA511N5](#) [MUSBD11135](#) [217450-1](#) [CA 6 W LD](#)
[KMBVX-TH-5S-B30](#) [896-30-004-00-000000](#) [KUSBVX-BS1N-W30](#) [KUSBX-AP-KIT-SCBLK](#) [KUSBX-AS2N-W](#) [KUSBX-SMT2AP1S-W](#)
[KUSBX-SMT2AP1S-W30](#) [935](#) [957](#) [30-498-6](#) [17-210051](#) [1734082-1](#) [30-1574](#) [30-470](#) [30-489](#) [30-541](#) [30-572-3](#) [MAB 8 SN V](#) [A-USB A-](#)
[2P-C](#) [MIKROE-1451](#) [USBFTV2PEM2G](#) [USBFTVC6ZN](#) [KUSBX-AS2N-W30](#) [KUSBX-SLAS1N-W](#) [KUSBX-SMT-AS1N-W30](#) [4689-1](#) [1-](#)
[1734084-2](#) [E8110-001-01](#) [MUSBA81130](#) [33UBARS1-04SW11](#) [33UBAR-04SW11](#) [USBF21ZNSCC](#) [USBBFTV6ZC](#) [10135326-001LF](#)
[M9177/3-1](#) [USB-A-S-F-B-VT](#) [925](#) [4198](#) [690-024-633-031](#) [KUSBEX-BSFS1N-W](#) [USBFTVC6MRG](#)