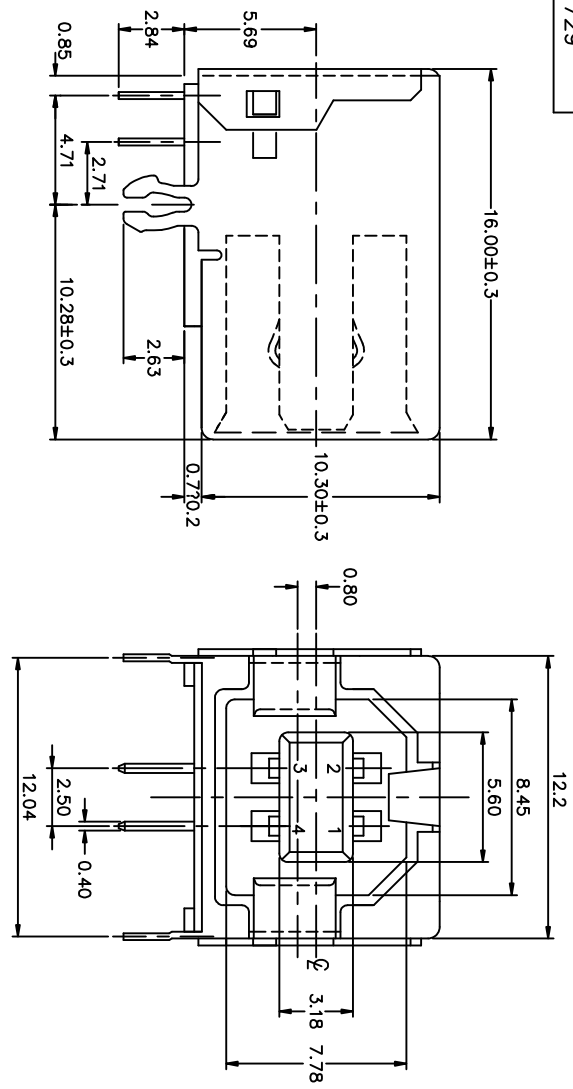
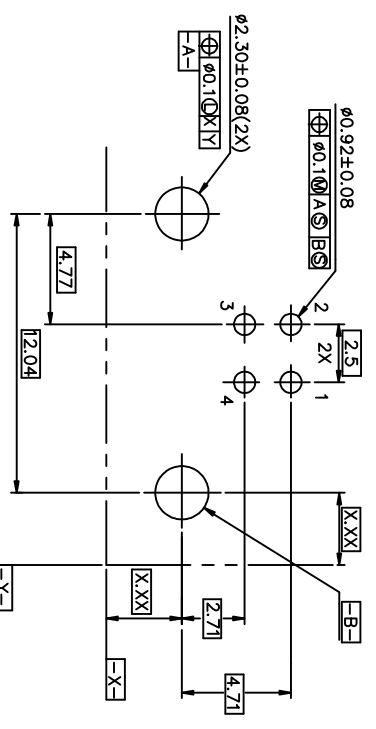


PRODUCT NO.
61729



P.C. BOARD LAYOUT



PRODUCT NUMBER CODE

61729- X 0 X X X P S LF

BASE PRODUCT NUMBER

HOUSING COLOR OPTION

0 - WHITE

1 - BLACK

SHIELD OPTION

1 - FULL BACK

2 - PARTIAL BACK

TERMINAL PLATING OPTION

0 - 50U" NI UNDERPLATED

30U" GXT CONTACT AREA

100U" TIN/LEAD TAIL AREA

FOR P/N'S WITHOUT SUFFIX "LF"

100U" PURE TIN TAIL AREA

FOR P/N'S WITH SUFFIX "LF"

1 - 50U" NI UNDERPLATED

30U" GOLD CONTACT AREA

100U" TIN/LEAD TAIL AREA

FOR P/N'S WITHOUT SUFFIX "LF"

100U" PURE TIN TAIL AREA

FOR P/N'S WITH SUFFIX "LF"

PACKAGING OPTION

B-TUBES

R-TAPE & REEL

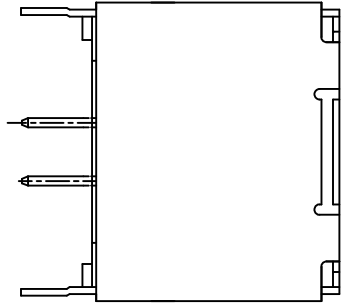
DATE CODE OPTION

ONLY FOR PANASONIC

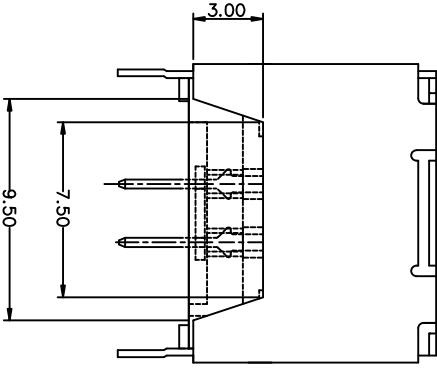
LEAD FREE OPTION

mat'l. code	tolerances unless otherwise specified	CUSTOMER COPY	title	product family	code
Hr	bcn no. dr. ddate	.0 ± 0.30	projection	USB RECEPTACLE B TYPE	
S	N05-0242 PH 08/22/06	.00 ± 0.20	MM/INCH		
T	N06-0103 HB 04/15/06	.00 ± 0.10	scale		
M	T20282 W.L. 08/12/02	± 2°	4 : 1		
N	T03-0386 W.L. 08/09/03				
P	T04-0206 W.L. 05/13/04				
R	N04-0130 PH 12/22/04				
Sheet	revision	T	P	sheet	1 of 2
Index	sheet	1	2		

PRODUCT NO.
61729



TYPE "1" FULL BACK



TYPE "2" PARTIAL BACK

- NOTES:
1. MATERIAL:
SHIELD & CONTACTS: COPPER ALLOY
HOUSING: UL 94V-0 THERMOPLASTIC. COLOR: SEE PRODUCT NUMBER CODE.
 2. PLATING: SEE PRODUCT NUMBER CODE.
SHIELD: BRIGHT TIN
NICKEL UNDERPLATE.
 3. DATUMS & BASIC DIMENSIONS TO BE DETERMINED BY CUSTOMER
 4. RECOMMENDED BOARD THICKNESS IS 1.57 mm (.062)
 5. PACKING STANDARD GS-14-920 WILL BE APPLIED FOR LEAD FREE P/N'S
 6. FOR LEAD FREE P/N, THE PRODUCT MEET EUROPEAN UNION DIRECTIVES AND OTHER COUNTRY REGULATION AS DESCRIBED IN GS-22-008
 7. FOR LEAD FREE P/N'S, THE HOUSING WILL WITHSTAND EXPOSURE TO 260°C PEAK TEMPERATURE FOR 40 SECONDS IN A CONNECTION, INFRO-RED OR VAPOR PHASE REFLOW OVEN.

mat'l. code		tolerances unless otherwise specified		CUSTOMER		title		product family		code	
plr	pcn no	dr	date	linear	projection	MM / INCH	FCI	USB	USB	61729	sheet
P				.00 ± 0.10 .0000 ± 0.05	1st angle	5 : 1	Electronics	RECEPTACLE B TYPE			2 of 2
				± .2°	SHIPLEY HSU R Y LIU		www.fciconnect.com				
					DR R Y LIU						
					ENGR R Y LIU						
					CHK JENN TSAOD3/03/97						
					DRPDR JENN TSAOD3/03/97						
sheet	revision										
index	sheet										

X-ON Electronics

Largest Supplier of Electrical and Electronic Components

Click to view similar products for [USB Connectors](#) category:

Click to view products by [Amphenol](#) manufacturer:

Other Similar products are found below :

[65-647-8-BK-BU](#) [950](#) [E8144-B01021-L](#) [A-USB A-LP-SMT-C](#) [A-USB B-TOP-C](#) [MUSBA511N5](#) [MUSBD11135](#) [217450-1](#) [CA 6 W LD](#)
[KMBVX-TH-5S-B30](#) [896-30-004-00-000000](#) [KUSBVX-BS1N-W30](#) [KUSBX-AP-KIT-SCBLK](#) [KUSBX-AS2N-W](#) [KUSBX-SMT2AP1S-W](#)
[KUSBX-SMT2AP1S-W30](#) [935](#) [957](#) [30-498-6](#) [1734082-1](#) [30-1574](#) [30-470](#) [30-489](#) [30-541](#) [30-572-3](#) [MAB 8 SN V](#) [A-USB A-2P-C](#)
[MIKROE-1451](#) [USBFTV2PEM2G](#) [USBFTVC6ZN](#) [KUSBX-AS2N-W30](#) [KUSBX-SLAS1N-W](#) [KUSBX-SMT-AS1N-W30](#) [4689-1](#) [1-](#)
[1734084-2](#) [E8110-001-01](#) [MUSBA81130](#) [33UBARS1-04SW11](#) [33UBAR-04SW11](#) [USBF21ZNSCC](#) [USBBFTV6ZC](#) [10135326-001LF](#)
[M9177/3-1](#) [925](#) [4198](#) [690-024-633-031](#) [KUSBEX-BSFS1N-W](#) [USBFTVC6MRG](#) [UA-20BMFA-SL8001](#) [17-200011](#)